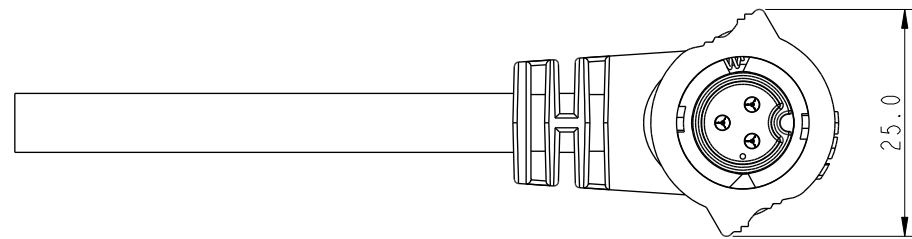
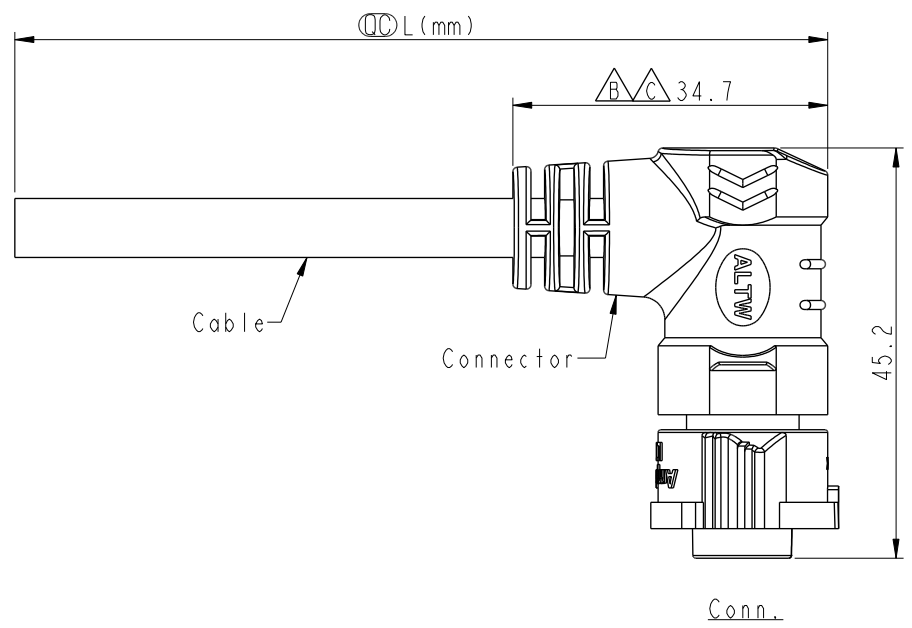


THIS DOCUMENT IS SUBJECT TO CHANGE WITHOUT NOTICE. IT IS CONFIDENTIAL AND A PROPERTY OF AMPHENOL LTW. DISCLOSURE TO THIRD PARTY HAS TO BE AUTHORIZED BY AMPHENOL LTW.

REV.	ECN NO.	DATE	SIGN	DESCRIPTION
C	LEN1720200	2017/02/13	Frank Deng	Change dimension from 34.0 to 34.7
D	C220458	2022/04/06	Ruru	$\triangle D$ X8
E	C230120	2023/02/03	Ruru	$\triangle E$ XI



- Note: $\triangle D$
- * RoHS Compliant
 - * CC Important dimension
 - $\triangle E$ * Waterproof rate: IP68, mated 1m/24h
 - * Connector
 - Housing: Thermoplastic, Black
 - Pin: Copper Alloy, Gold Plated
 - O-Ring: Rubber, Dark Gray
 - Nut: Thermoplastic, Black
 - Outer mold: Thermoplastic, Black
 - * Cable: UL21388, PVC Jacket, Black
 - * Cable length tolerance: 1M: +50/-0 mm
 - 3M < L ≤ 5M: +100/-0 mm
 - 5M < L ≤ 10M: ±100 mm
 - 10M < L ≤ 20M: ±200 mm
 - 20M < L ≤ 30M: ±300 mm
 - 30M < L ≤ 99M: ±500 mm

UNIT: mm		
TOLERANCE	±0.5 mm	

TITLE XLOK, B-10A, CABLE W/SR F, M, MOLDING, PUSH LOCK $\triangle D$		
SCALE 6:5	SIZE A4	SHEET 1 OF 2
REV. E	WC-REV. A.2	CC : Inspection item

Amphenol LTW
安費諾亮泰企業股份有限公司

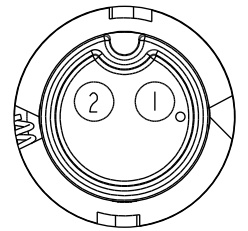
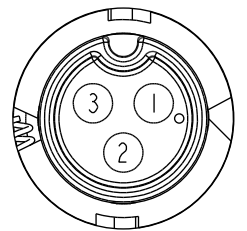
ITEM NO	DRAWN BY Frank Deng	DATE 2017-02-13
DWG NO BB-XXAFMM-GR8DXX $\triangle D$	CHECKED BY Spring Liu	DATE 2017-02-13
CUSTOMER ALTW	APPROVED BY Kevin Hu	DATE 2017-02-13

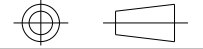
THIS DOCUMENT IS SUBJECT TO CHANGE WITHOUT NOTICE. IT IS CONFIDENTIAL AND A PROPERTY OF Amphenol LTW. DISCLOSURE TO THIRD PARTY HAS TO BE AUTHORIZED BY Amphenol LTW.

3P		PVC	6.5	16	BB-03AFMM-QR8DXX
2P			6.0		BB-02AFMM-QR8DXX
Contacts	Cable Jacket	Cable OD	AWG	Item No.	

$\triangle D$
 BB-XXAFMM-QR8DXX
 XX: No. Of Pin

- XX : 01~99Meters
- 01 : 01Meter
- 02 : 02Meters
- ...
- 99 : 99Meters

Pin Out	2 Red 紅 1 Black 黑	3 Red 紅 2 Brown 棕 1 Black 黑
	Pin # Wire	Pin # Wire
Conn.		
	2P	3P
Pin Assignments Front View		

UNIT:mm		TITLE
TOLERANCE	± 0.5 mm	XLOK, B-10A, CABLE W/SR F, M, MOLDING, PUSH LOCK $\triangle D$
SCALE	6:5	SIZE A4
REV.	E	SHEET 2 OF 2
	WC-REV. A.2	QC: Inspection item

Amphenol LTW
 安費諾亮泰企業股份有限公司

ITEM NO	DRAWN BY	DATE
DWG NO	CHECKED BY	DATE
CUSTOMER	APPROVED BY	DATE
BB-XXAFMM-QR8DXX $\triangle D$	Frank Deng	2017-02-13
ALTW	Spring Liu	2017-02-13
	Kevin Hu	2017-02-13