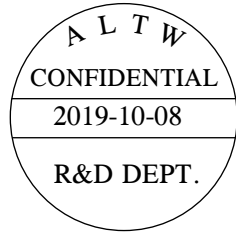


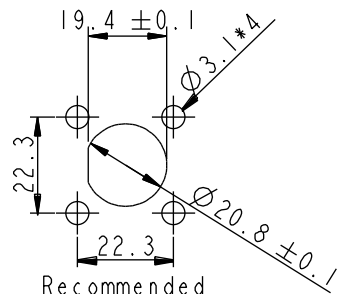
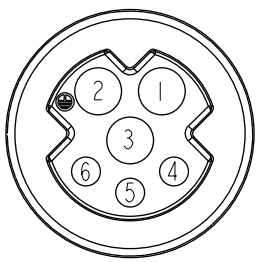
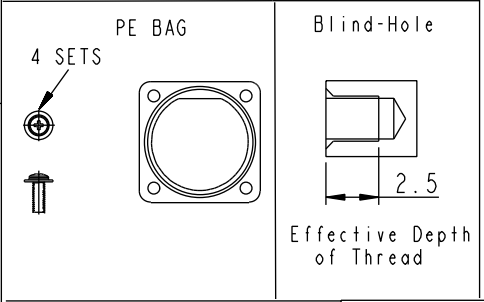
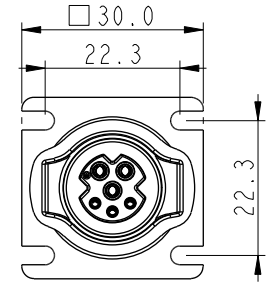
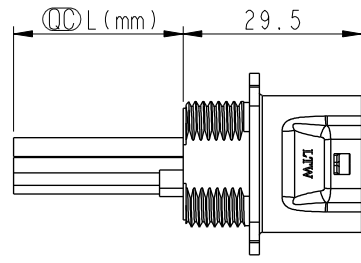
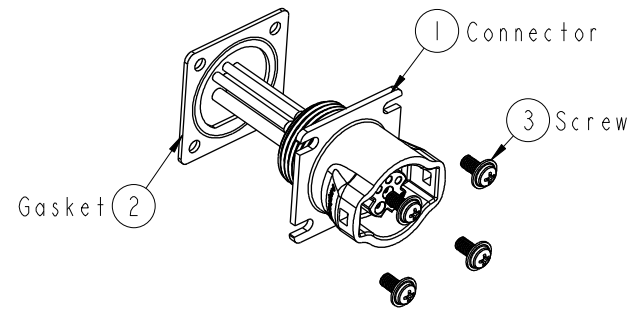
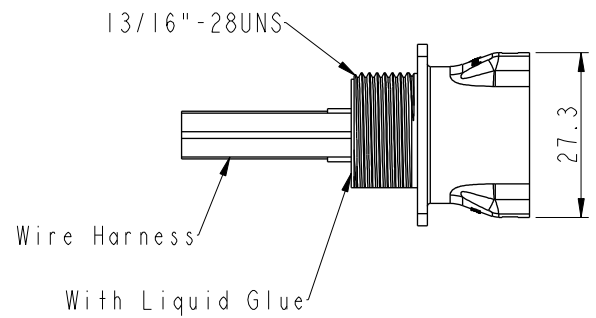
THIS DOCUMENT IS SUBJECT TO CHANGE WITHOUT NOTICE. IT IS CONFIDENTIAL AND A PROPERTY OF AMPHENOL LTW. DISCLOSURE TO THIRD PARTY HAS TO BE AUTHORIZED BY AMPHENOL LTW.

REV.	ECN NO.	DATE	SIGN	DESCRIPTION
B	CI91730	2019/10/08	Vicky	Update Code & Wire Tolerance



CBD-06RFFC-RS8CXX

$\frac{10}{15/20}$: 100mm
 : 150mm
 : 200mm
 ↓
 $\triangle A0$: 1000mm
 Cable Pitch Unit: 50mm
 Wire Length(L): 100~1000mm



6	Black (20AWG)	黑
5	White (20AWG)	白
4	Green (20AWG)	綠
3	Blue (16AWG)	藍
2	Red (16AWG)	紅
1	Black (16AWG)	黑
Conn.	Wire Color	
	Pin Out	

Note:

- * \varnothing Important Dimension To Check.
- * Waterproof Rate: IP68(1M/24H)
- * Housing: M-PPE, Black.
- * Female Pin: Copper Alloy, Gold Plated.
- * Gasket: Silicone, Gray.
- * Wire Harness: UL1015
- * Blind holes for the screws used M3X0.5mm
- * Blind Hole Size M3X0.5mm
- * Screw Torque: 1.5~2kgf.cm
- * Wire harness Tolerance: 100 ± 10mm
101~300 ± 15mm
301~1000 ± 20mm

$\triangle B$ * Prohibiting the use of place in oils

UNIT:mm		TITLE
TOLERANCE	$\pm 0.5mm$	Middle Panel RBL F CONN F PIN
SCALE	1:1	SIZE A4
REV.	B	SHEET 1 OF 1
WC-REV.	.0	\varnothing Inspection item

Amphenol LTW
安費諾亮泰企業股份有限公司

ITEM NO	DRAWN BY	DATE
DWG NO	CHECKED BY	DATE
CUSTOMER	APPROVED BY	DATE
ALTW	Peng	2019-01-08
	Mafei	2019-01-08
	Jerry	2019-01-08