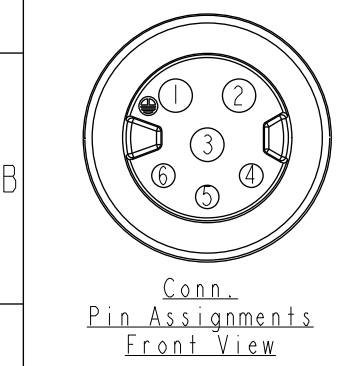
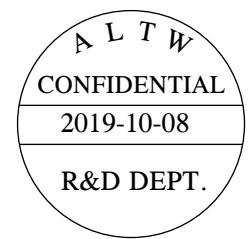
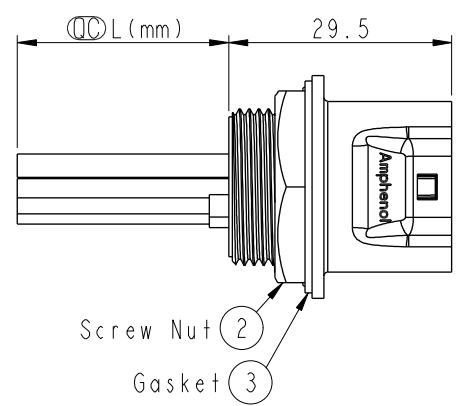
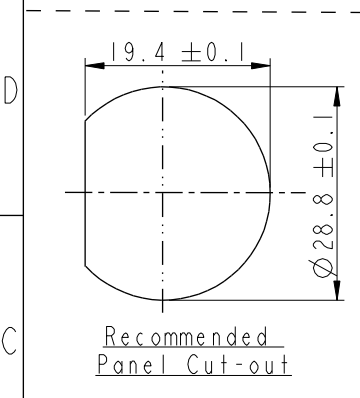
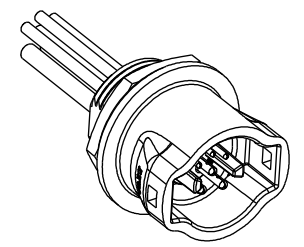
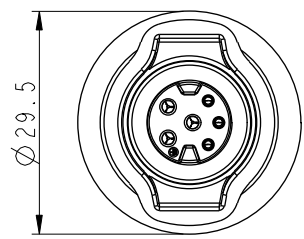
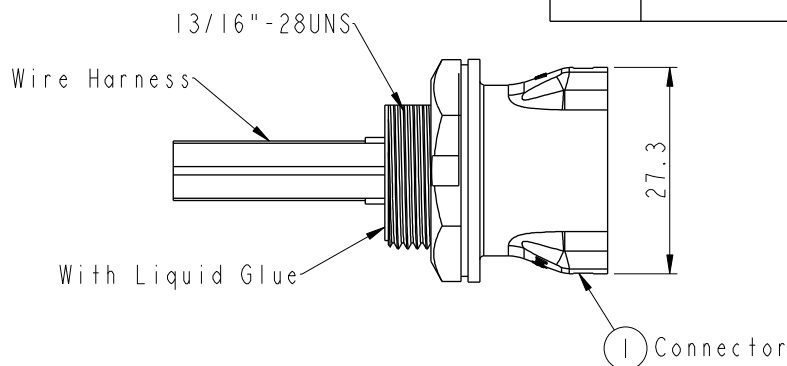


REV.	ECN NO.	DATE	SIGN	DESCRIPTION
B	CI91730	2019/10/08	Vicky	Update Code & Wire Tolerance



6	Black	(20AWG)	黑
5	White	(20AWG)	白
4	Green	(20AWG)	綠
3	Bule	(16AWG)	藍
2	Red	(16AWG)	紅
1	Black	(16AWG)	黑
Conn.	Wire Color		
	Pin Out		

CBD-06RFMC-RC8CXX
 10 : 100mm
 15 : 150mm
 20 : 200mm
 s
 △A0 : 1000mm
 Cable Pitch Unit: 50mm
 Wire Length(L): 100~1000mm

Note:
 * (⊕) Important Dimension To Check.
 * Waterproof Rate: IP68
 * Connector: M-PPE, Black.
 * Male Pin: Copper Alloy, Gold Plated.
 * Gasket: Silicone, Gray.
 * Nut: Nylon+GF, Black.
 * Wire Harnss: UL1015
 * Panel Thickness Max: 5.0mm
 * Recommended Nut Torque: 8~10 kgf.cm
 * Wire Harnss Tolarance: 100 ± 10mm
 101~300mm ± 15mm
 301~1000mm ± 20mm
 * Prohibiting the use of place in oils

UNIT:mm	
TOLERANCE	±0.5mm

TITLE MIDDLE PANEL RBL F CONN M PIN			
SCALE 1:1	SIZE A4	SHEET 1 OF 1	
REV. B	WC-REV. .0	⊕: Inspection item	

Amphenol LTW
 安費諾亮泰企業股份有限公司

ITEM NO	DRAWN BY Peng	DATE 2019-05-10
DWG NO CBD-06RFMC-RC8CXX	CHECKED BY Mafei	DATE 2019-05-10
CUSTOMER ALTW	APPROVED BY Jerry	DATE 2019-05-10

THIS DOCUMENT IS SUBJECT TO CHANGE WITHOUT NOTICE. IT IS CONFIDENTIAL AND A PROPERTY OF Amphenol LTW. DISCLOSURE TO THIRD PARTY HAS TO BE AUTHORIZED BY Amphenol LTW.