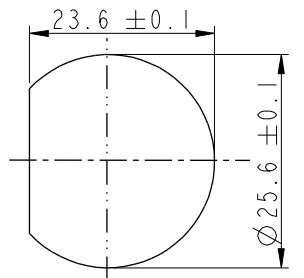
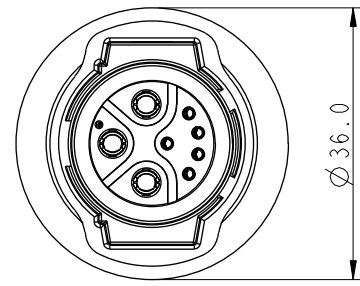
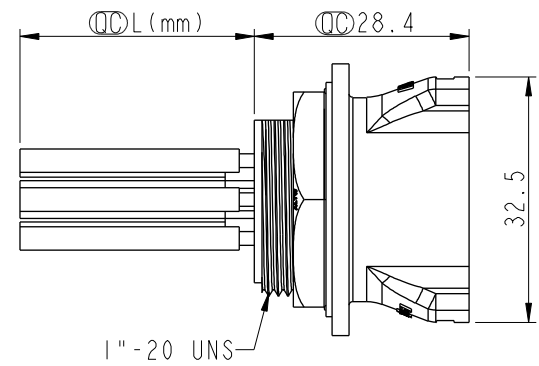
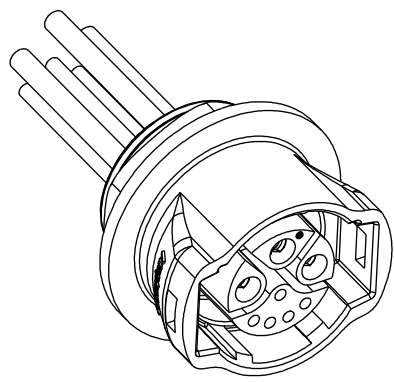
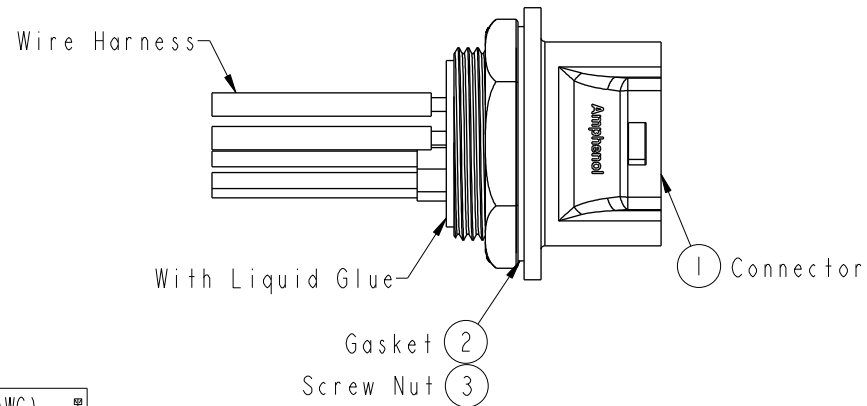


THIS DOCUMENT IS SUBJECT TO CHANGE WITHOUT NOTICE. IT IS CONFIDENTIAL AND A PROPERTY OF Amphenol LTW. DISCLOSURE TO THIRD PARTY HAS TO BE AUTHORIZED BY Amphenol LTW.

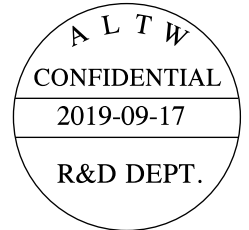
REV.	ECN NO.	DATE	SIGN	DESCRIPTION
B	E191618	2019/09/17	Ruru	Update Code & Wire Tolerance



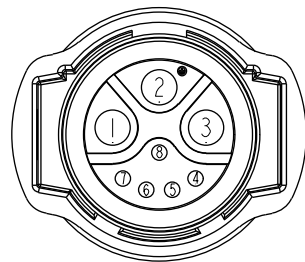
Recommended Panel Cut-out



DCD-08RFFC-RC8CXX
 10: 100mm
 15: 150mm
 20: 200mm
 △ A0: 1000mm
 Cable Pitch Unit=50mm
 Wire Length (L): 100~1000 mm



Note:
 * (⊕) Important Dimension To Check.
 * Waterproof Rate: IP68
 * Connector: M-PPE, Black.
 * Female Pin: Copper Alloy, Gold Plated.
 * Gasket: Silicone, Gray.
 * Nut: Nylon+GF, Black.
 * Wire Harnss: UL1015(12AWG) UL1430(20AWG)
 * Panel Thickness Max: 5.0mm
 * Recommended Nut Torque: 10~12 kgf.cm
 * Wire Harness Tolerance: 100mm ± 10mm
 101~300mm ± 15mm
 301~1000mm ± 20mm
 * Prohibiting the use of place in oils



Conn. Pin Assignments Front View

8	Black (20AWG)	黑
7	Yellow (20AWG)	黄
6	Orange (20AWG)	橙
5	White (20AWG)	白
4	Green (20AWG)	綠
3	Bule (12AWG)	藍
2	Red (12AWG)	紅
1	Black (12AWG)	黑
Conn.	Wire Color	Pin Out

UNIT:mm	
TOLERANCE	±0.5

TITLE LARGE PANEL RBL F CONN F PIN			
SCALE 4:5	SIZE A4	SHEET 1 OF 1	
REV. B	WC-REV. .0	⊕: Inspection item	

Amphenol LTW
 安費諾亮泰企業股份有限公司

ITEM NO	DRAWN BY Ruru	DATE 2019-09-17
DWG NO DCD-08RFFC-RC8CXX	CHECKED BY Rita	DATE 2019-09-17
CUSTOMER ALTW	APPROVED BY Max	DATE 2019-09-17