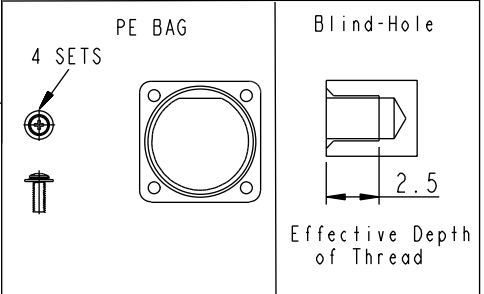
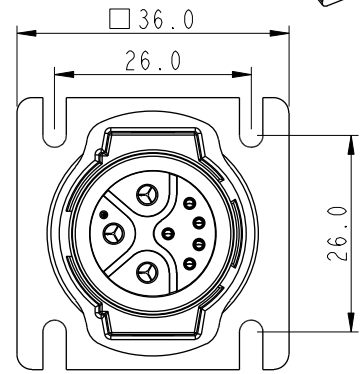
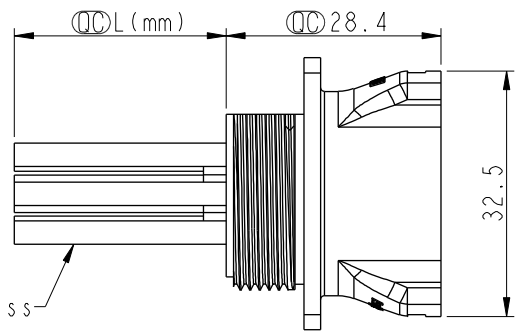
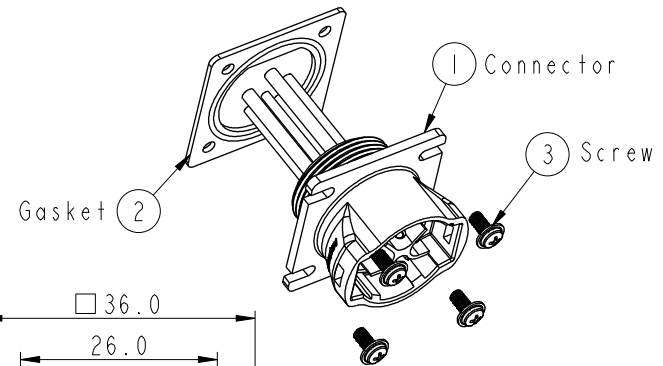
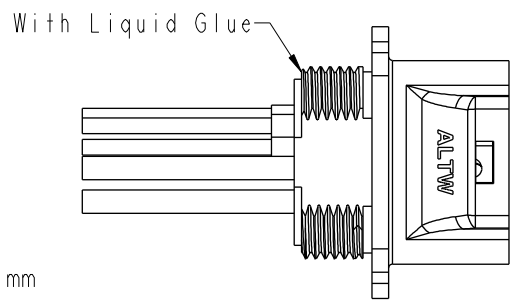


THIS DOCUMENT IS SUBJECT TO CHANGE WITHOUT NOTICE. IT IS CONFIDENTIAL AND A PROPERTY OF Amphenol LTW. DISCLOSURE TO THIRD PARTY HAS TO BE AUTHORIZED BY Amphenol LTW.

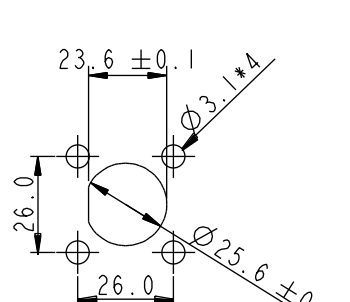
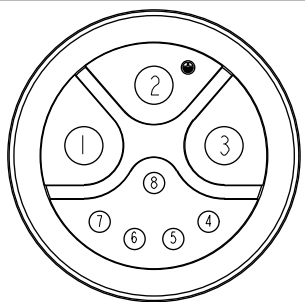
REV.	ECN NO.	DATE	SIGN	DESCRIPTION
B	E191618	2019/09/17	Ruru	Update Code & Wire Tolerance

DCD-08RFMC-RS8CXX

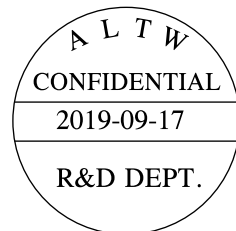
10: 100mm  
 15: 150mm  
 20: 200mm  
 A0: 1000mm  
 Cable Pitch Unit=50mm  
 Wire Length (L): 100~1000 mm



Wire Harness



8	Black (20AWG)	黑
7	Yellow (20AWG)	黃
6	Orange (20AWG)	橙
5	White (20AWG)	白
4	Green (20AWG)	綠
3	Blue (12AWG)	藍
2	Red (12AWG)	紅
1	Black (12AWG)	黑
Conn.	Wire Color	Pin Out



Note:  
 \*  $\varnothing$  Important Dimension To Check.  
 \* Waterproof Rate: IP68(1M/24H)  
 \* Housing: M-PPE, Black.  
 \* Male Pin: Copper Alloy, Gold Plated.  
 \* Gasket: Silicone, Gray.  
 \* Wire Harness: UL1015 12AWG  
 UL1430 20AWG  
 \* Blind holes for the screws used M3X0.5mm  
 \* Blind Hole Size M3X0.5mm  
 \* Screw Torque: 1.5~2kgf.cm  
 \* Wire Harness Tolerance: 100mm ±10mm  
 101~300mm ±15mm  
 301~1000mm ±20mm  
 \* Prohibiting the use of place in oils

UNIT:mm  
 TOLERANCE ±0.5

TITLE LARGE Panel RBL F CONN M PIN			
SCALE 1:1	SIZE A4	SHEET 1 OF 1	
REV. B	WC-REV. .0	$\varnothing$ : Inspection item	

**Amphenol LTW**  
 安費諾亮泰企業股份有限公司

ITEM NO	DRAWN BY Ruru	DATE 2019-09-17
DWG NO DCD-08RFMC-RS8CXX	CHECKED BY Rita	DATE 2019-09-17
CUSTOMER ALTW	APPROVED BY Max	DATE 2019-09-17