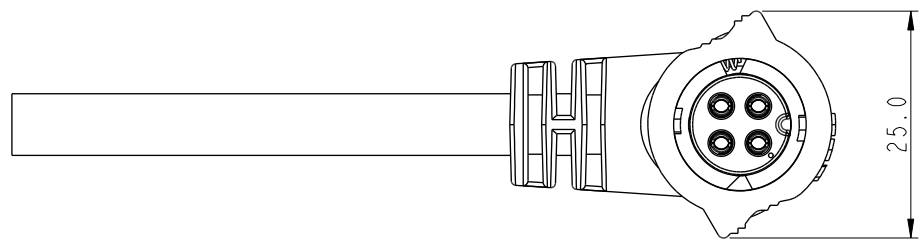
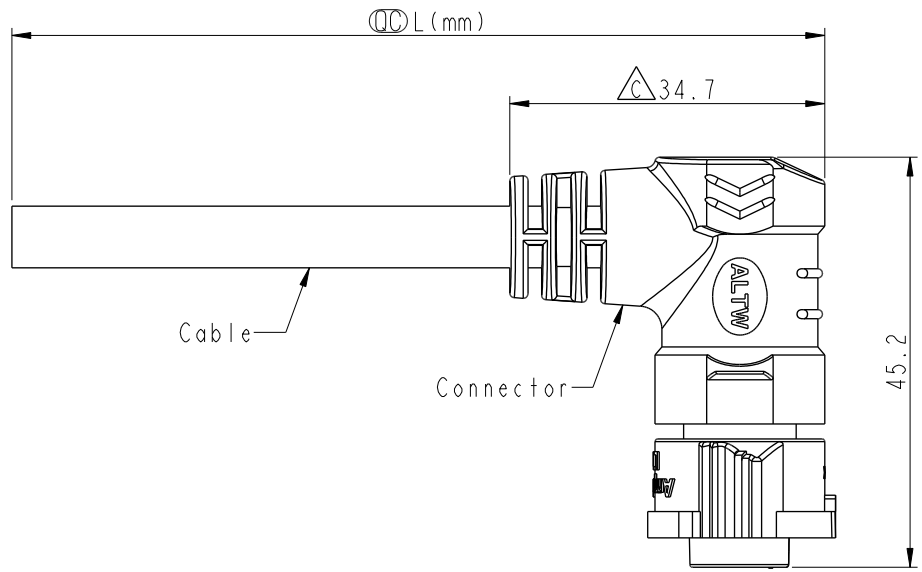


THIS DOCUMENT IS SUBJECT TO CHANGE WITHOUT NOTICE. IT IS CONFIDENTIAL AND A PROPERTY OF Amphenol LTW. DISCLOSURE TO THIRD PARTY HAS TO BE AUTHORIZED BY Amphenol LTW.

REV.	ECN NO.	DATE	SIGN	DESCRIPTION
C	LEN1720196	2017/02/13	Frank Deng	Change dimension from 34.0 to 34.7
D	C220458	2022/04/01	Ruru	$\triangle D$ X8
E	C230120	2023/02/03	Ruru	$\triangle E$ XI



- Note:  $\triangle$
- \* RoHS Compliant
  - \*  $\circ L$  Important dimension
  - $\triangle E$  \* Waterproof rate: IP68, mated 1m/24h
  - \* Connector
  - Housing: Thermoplastic, Black
  - Pin: Copper Alloy, Gold Plated
  - O-Ring: Rubber, Dark Gray
  - Nut: Thermoplastic, Black
  - Outer mold: Thermoplastic, Black
  - \* Cable: UL21388, PVC Jacket, Black
  - \* Cable length tolerance: 1M: +50/-0 mm
  - 1M < L ≤ 3M: +100/-0 mm
  - 3M < L ≤ 5M: +150/-0 mm
  - 5M < L ≤ 10M: ±100 mm
  - 10M < L ≤ 20M: ±200 mm
  - 20M < L ≤ 30M: ±300 mm
  - 30M < L ≤ 99M: ±500 mm

UNIT: mm		
TOLERANCE	±0.5 mm	


TITLE XLOK, B-10A, CABLE W/SR F, F, MOLDING, PUSH LOCK $\triangle$		
SCALE 6:5	SIZE A4	SHEET 1 OF 2
REV. E	WC-REV. A.2	$\circ L$ : Inspection item

**Amphenol LTW**  
安費諾亮泰企業股份有限公司

ITEM NO	DRAWN BY Frank Deng	DATE 2017-02-13
DWG NO BB-XXAFFM-QR8DXX $\triangle$	CHECKED BY Spring Liu	DATE 2017-02-13
CUSTOMER ALTW	APPROVED BY Kevin Hu	DATE 2017-02-13

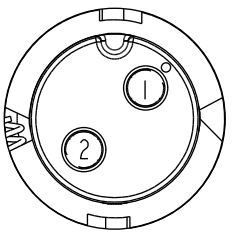
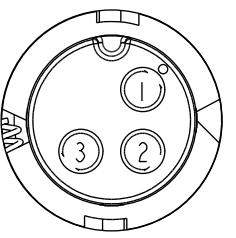
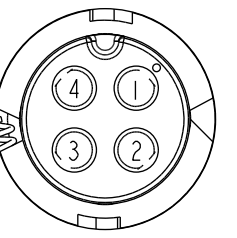
THIS DOCUMENT IS SUBJECT TO CHANGE WITHOUT NOTICE. IT IS CONFIDENTIAL AND A PROPERTY OF Amphenol LTW. DISCLOSURE TO THIRD PARTY HAS TO BE AUTHORIZED BY Amphenol LTW.

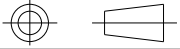
4P		PVC	6.8	16	BB-04AFFM-QR8DXX
3P			6.5		BB-03AFFM-QR8DXX
2P			6.0		BB-02AFFM-QR8DXX
Contacts	Cable Jacket	Cable OD	AWG	Item No.	


 BB-XXAFFM-QR8DXX  
 XX: No. Of Pin

XX : 01~99Meters  
 01 : 01Meter  
 02 : 02Meters  
 ...  
 99 : 99Meters




Pin Out	2 Red 紅 1 Black 黑	3 Red 紅 2 Brown 棕 1 Black 黑	4 Orange 橙 3 Red 紅 2 Brown 棕 1 Black 黑
	Pin # Wire	Pin # Wire	Pin # Wire
Conn.			
	2P	3P	4P
Pin Assignments Front View			

UNIT:mm	
TOLERANCE	±0.5 mm

TITLE XLOK, B-10A, CABLE W/SR F, F, MOLDING, PUSH LOCK 			
SCALE 6:5	SIZE A4	SHEET 2 OF 2	
REV. E	WC-REV. A.2	QC: Inspection item	

Amphenol LTW

安費諾亮泰企業股份有限公司

ITEM NO	DRAWN BY Frank Deng	DATE 2017-02-13
DWG NO BB-XXAFFM-QR8DXX 	CHECKED BY Spring Liu	DATE 2017-02-13
CUSTOMER ALTW	APPROVED BY Kevin Hu	DATE 2017-02-13