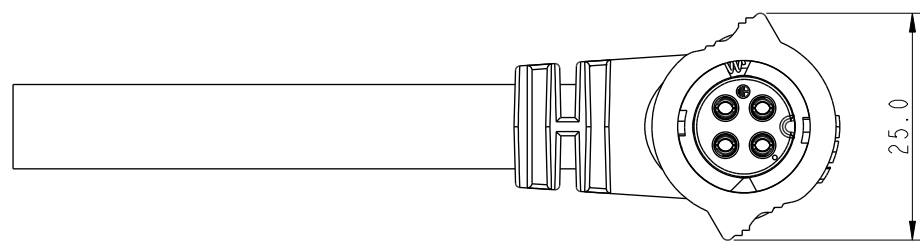
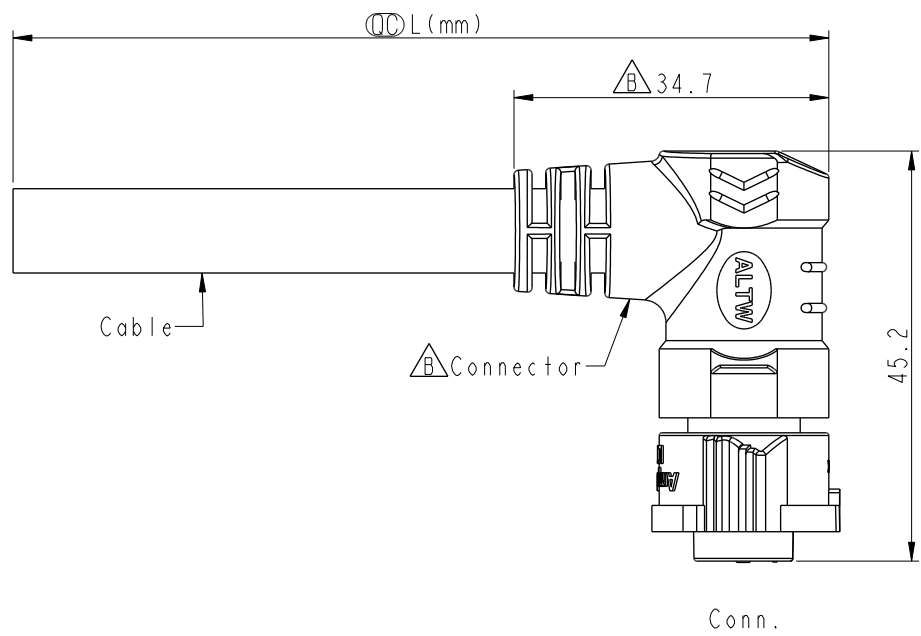


THIS DOCUMENT IS SUBJECT TO CHANGE WITHOUT NOTICE. IT IS CONFIDENTIAL AND A PROPERTY OF AMPHENOL LTW. DISCLOSURE TO THIRD PARTY HAS TO BE AUTHORIZED BY AMPHENOL LTW.

REV.	ECN NO.	DATE	SIGN	DESCRIPTION
B	LE31680200	2016/07/27	Tom Gu	Change Part No. of Half Finished
C	C220458	2022/04/01	Ruru	$\triangle C$ X8
D	C230120	2023/02/03	Ruru	$\triangle D$ XI



- Note: $\triangle C$
- * RoHS Compliant
 - * CC Important dimension
 - $\triangle D$ * Waterproof rate: IP68, mated 1m/24h
 - * Connector
 - Housing: Thermoplastic, Black
 - Pin: Copper Alloy, Gold Plated
 - O-Ring: Rubber, Dark Gray
 - Nut: Thermoplastic, Black
 - Outer mold: Thermoplastic, Black
 - * Cable: SJTW, PVC Jacket, Black
 - * Cable length tolerance: 1M: +50/-0 mm
 - 1M < L \leq 3M: +100/-0 mm
 - 3M < L \leq 5M: +150/-0 mm
 - 5M < L \leq 10M: \pm 100 mm
 - 10M < L \leq 20M: \pm 200 mm
 - 20M < L \leq 30M: \pm 300 mm
 - 30M < L \leq 99M: \pm 500 mm

UNIT: mm

TOLERANCE ± 0.5 mm

TITLE XLOK, B-10A, CABLE W/SR F, F, MOLDING, PUSH LOCK $\triangle C$			
SCALE 6:5	SIZE A4	SHEET 1 OF 2	
REV. D	WC-REV. A.2	CC : Inspection item	

Amphenol LTW
安費諾亮泰企業股份有限公司

ITEM NO.	DRAWN BY Tom Gu	DATE 2016-07-27
DWG NO. BB-XXAFFM-0R8EXX $\triangle C$	CHECKED BY Spring Liu	DATE 2016-07-27
CUSTOMER ALTW	APPROVED BY Kevin Hu	DATE 2016-07-27

THIS DOCUMENT IS SUBJECT TO CHANGE WITHOUT NOTICE. IT IS CONFIDENTIAL AND A PROPERTY OF AMPHENOL LTW. DISCLOSURE TO THIRD PARTY HAS TO BE AUTHORIZED BY AMPHENOL LTW.

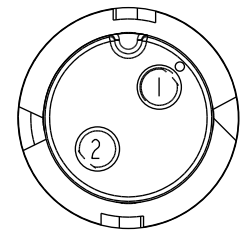
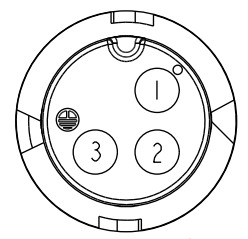
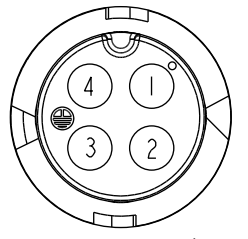
4P		PVC	9.3	16	BB-04AFFM-QR8EXX
3P			8.6		BB-03AFFM-QR8EXX
2P			8.2		BB-02AFFM-QR8EXX
Contacts	Cable Jacket	Cable OD	AWG	Item No.	

△
BB-XXAFFM-QR8EXX

XX: No. Of Pin

XX : 01~99Meters
01 : 01Meter
02 : 02Meters

99 : 99Meters

Pin Out	2 White 白 1 Black 黑	3 Green 綠 2 White 白 1 Black 黑	4 Red 紅 3 Green 綠 2 White 白 1 Black 黑
	Pin # Wire	Pin # Wire	Pin # Wire
Conn.			
	2P	3P △B	4P △B

Pin Assignments Front View

UNIT: mm 

TOLERANCE ±0.5 mm

TITLE XLOK, B-10A, CABLE W/SR F, F, MOLDING, PUSH LOCK △C

SCALE 6:5 SIZE A4 SHEET 2 OF 2

REV. D WC-REV. A.2 QC: Inspection item

Amphenol LTW
安費諾亮泰企業股份有限公司

ITEM NO	DRAWN BY Tom Gu	DATE 2016-07-27
DWG NO BB-XXAFFM-QR8EXX △C	CHECKED BY Spring Liu	DATE 2016-07-27
CUSTOMER ALTW	APPROVED BY Kevin Hu	DATE 2016-07-27