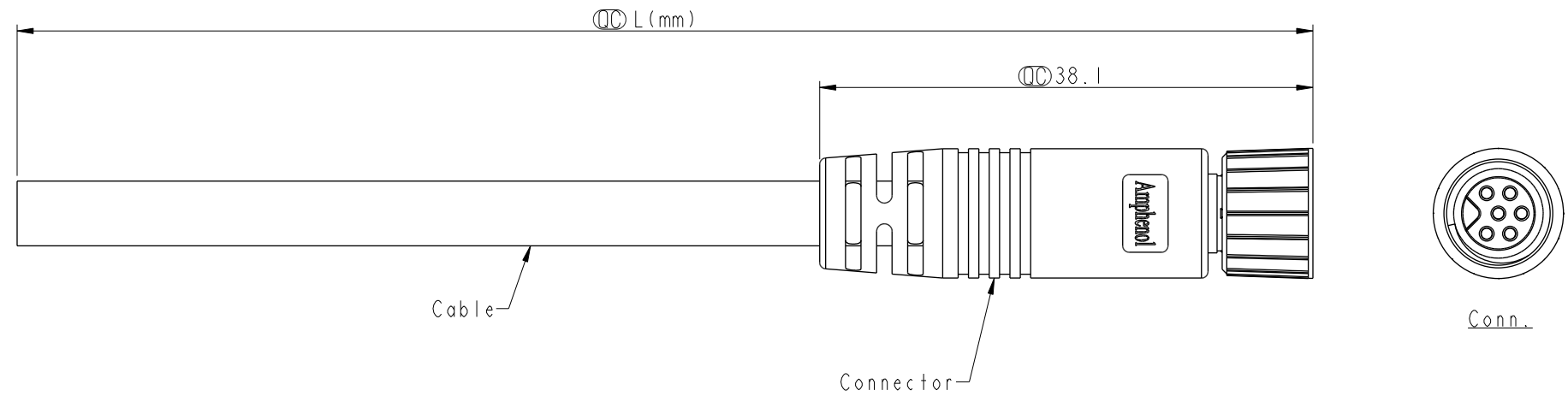


THIS DOCUMENT IS SUBJECT TO CHANGE WITHOUT NOTICE. IT IS CONFIDENTIAL AND A PROPERTY OF Amphenol LTW. DISCLOSURE TO THIRD PARTY HAS TO BE AUTHORIZED BY Amphenol LTW.

REV.	ECN NO.	DATE	SIGN	DESCRIPTION
B	LEN1670212~214	2016/07/13	Feng_Li	Modify Note and Product No.
C	C210625	2021/04/22	Vicky	$\triangle C$ X8
D	C221871	2022/12/02	Vicky	$\triangle D$ XI



- $\triangle C$ Note:
- * RoHS Compliant
 - * \textcircled{C} Important dimension
 - $\triangle D$ * Waterproof rate: IP67, mated
 - * Connector
 - Housing: Thermoplastic, Black
 - Pin: Copper alloy, Gold plated
 - O-Ring: Rubber, Green
 - $\triangle B$ Nut: Metal
 - Outer mold: Thermoplastic, Black
 - * Cable: UL2464, PVC Jacket, Black
 - * Cable length tolerance: 1M: +50/-0 mm
 - 1M < L ≤ 3M: +100/-0 mm
 - 3M < L ≤ 5M: +150/-0 mm
 - 5M < L ≤ 10M: ±100 mm
 - 10M < L ≤ 20M: ±200 mm
 - 20M < L ≤ 30M: ±300 mm
 - 30M < L ≤ 99M: ±500 mm

UNIT: mm			TITLE O SEN, M8 W/KEY CABLE W/SR, F, F, MOLDING
TOLERANCE ±0.5mm	SCALE 2:1	SIZE A4	SHEET 1 OF 2
REV. D	WC-REV. A.4	\textcircled{C} : Inspection item	

Amphenol LTW
安費諾亮泰企業股份有限公司

ITEM NO	DRAWN BY Feng_Li	DATE 2016-07-13
DWG NO $\triangle C$ 8A-XXAFFM-SL7AXX	CHECKED BY Jinhai	DATE 2016-07-13
CUSTOMER ALTW	APPROVED BY Jerry	DATE 2016-07-13

