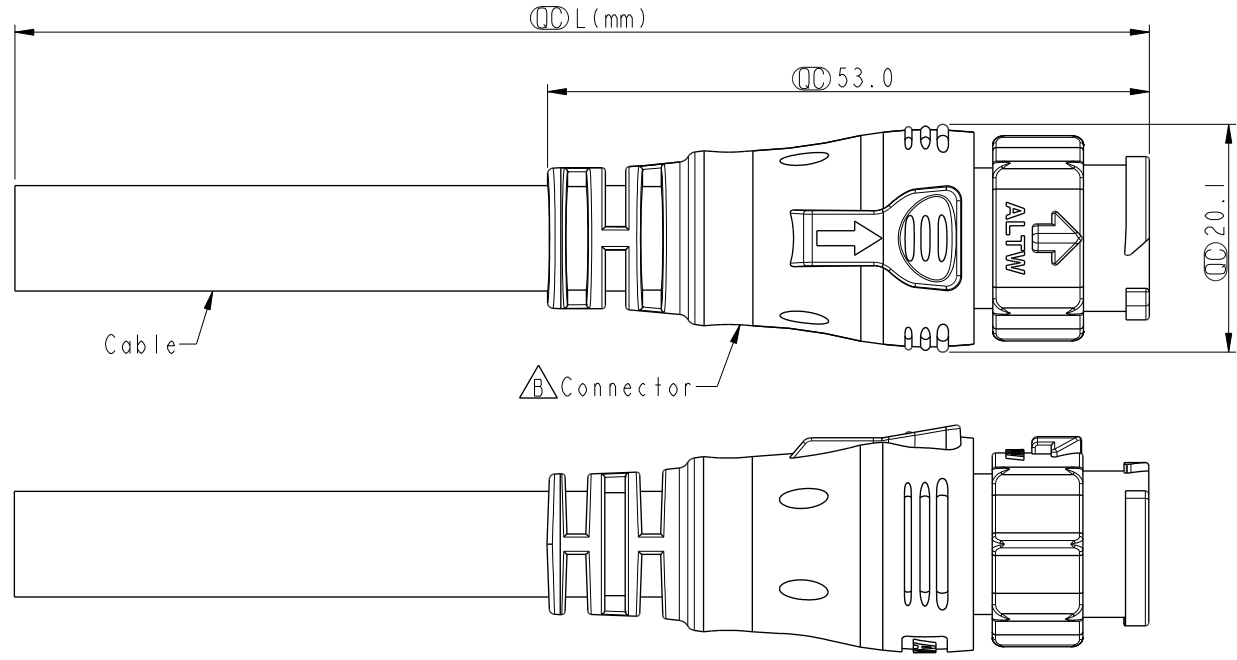


THIS DOCUMENT IS SUBJECT TO CHANGE WITHOUT NOTICE. IT IS CONFIDENTIAL AND A PROPERTY OF AMPHENOL LTW. DISCLOSURE TO THIRD PARTY HAS TO BE AUTHORIZED BY AMPHENOL LTW.

REV.	ECN NO.	DATE	SIGN	DESCRIPTION
B	LE31680201	2016/07/27	Tom Gu	Change Part No. of Half Finished
C	C220458	2022/04/07	Ruru	$\triangle C$ X8
D	C230120	2023/02/03	Ruru	$\triangle D$ XI



Note: $\triangle C$

- * RoHS Compliant
- * \circ Important dimension
- $\triangle D$ * Waterproof rate: IP68, mated 1m/24h
- * Connector
- Housing: Thermoplastic, Black
- Pin: Copper Alloy, Gold Plated
- Outer mold: Thermoplastic, Black
- * Cable: SJTW, PVC Jacket, Black
- * Cable length tolerance: IM: +50/-0 mm

Conn.

1M < L ≤ 3M	+100/-0 mm
3M < L ≤ 5M	+150/-0 mm
5M < L ≤ 10M	±100 mm
10M < L ≤ 20M	±200 mm
20M < L ≤ 30M	±300 mm
30M < L ≤ 99M	±500 mm

UNIT: mm		TITLE
TOLERANCE	± 0.5 mm	XLOK, B-10A, CABLE W/SR M, M, MOLDING, PUSH LOCK $\triangle C$
SCALE	3:2	SIZE A4
REV.	D	SHEET 1 OF 2
WC-REV.	A.2	\circ : Inspection item

Amphenol LTW
安費諾亮泰企業股份有限公司

ITEM NO	DRAWN BY	DATE
	Tom Gu	2016-07-27
DWG NO	CHECKED BY	DATE
BB-XXAMMM-QL8EXX $\triangle C$	Spring Liu	2016-07-27
CUSTOMER	APPROVED BY	DATE
ALTW	Kevin Hu	2016-07-27

THIS DOCUMENT IS SUBJECT TO CHANGE WITHOUT NOTICE. IT IS CONFIDENTIAL AND A PROPERTY OF Amphenol LTW. DISCLOSURE TO THIRD PARTY HAS TO BE AUTHORIZED BY Amphenol LTW.

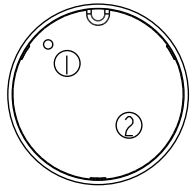
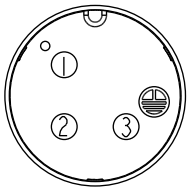
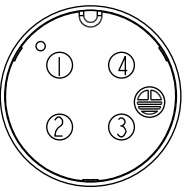
4P	PVC	9.3	16	BB-04AMMM-QL8EXX
3P		8.6		BB-03AMMM-QL8EXX
2P		8.2		BB-02AMMM-QL8EXX
Contacts	Cable Jacket	Cable OD	AWG	Item No.

△
BB-XXAMMM-QL8EXX

XX: No. Of Pin

XX : 01~99Meters
 01 : 01Meter
 02 : 02Meters

 99 : 99Meters

Pin Out	2 White 白 1 Black 黑	3 Green 綠 2 White 白 1 Black 黑	4 Red 紅 3 Green 綠 2 White 白 1 Black 黑
	Pin # Wire	Pin # Wire	Pin # Wire
Conn.			
	2P	3P △B	4P △B

Pin Assignments Front View

UNIT:mm	
TOLERANCE	±0.5 mm

TITLE XLOK, B-10A, CABLE W/SR M, M, MOLDING, PUSH LOCK △C			
SCALE 3:2	SIZE A4	SHEET 2 OF 2	
REV. D	WC-REV. A.2	QC: Inspection item	

Amphenol LTW
安費諾亮泰企業股份有限公司

ITEM NO	DRAWN BY Tom Gu	DATE 2016-07-27
DWG NO BB-XXAMMM-QL8EXX △C	CHECKED BY Spring Liu	DATE 2016-07-27
CUSTOMER ALTW	APPROVED BY Kevin Hu	DATE 2016-07-27