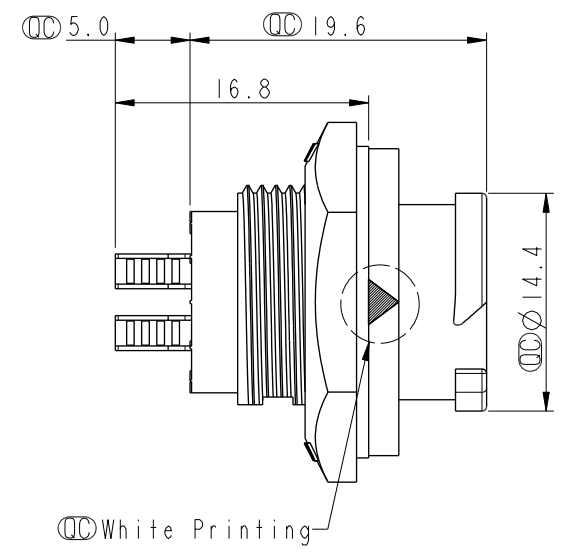
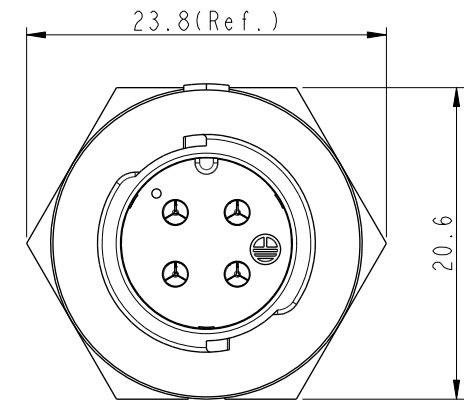
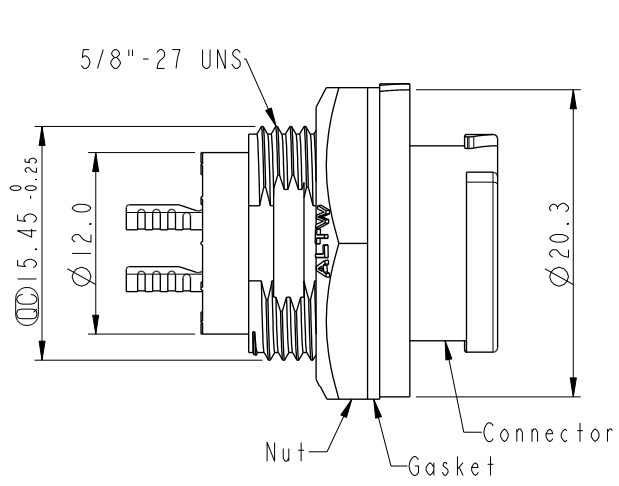
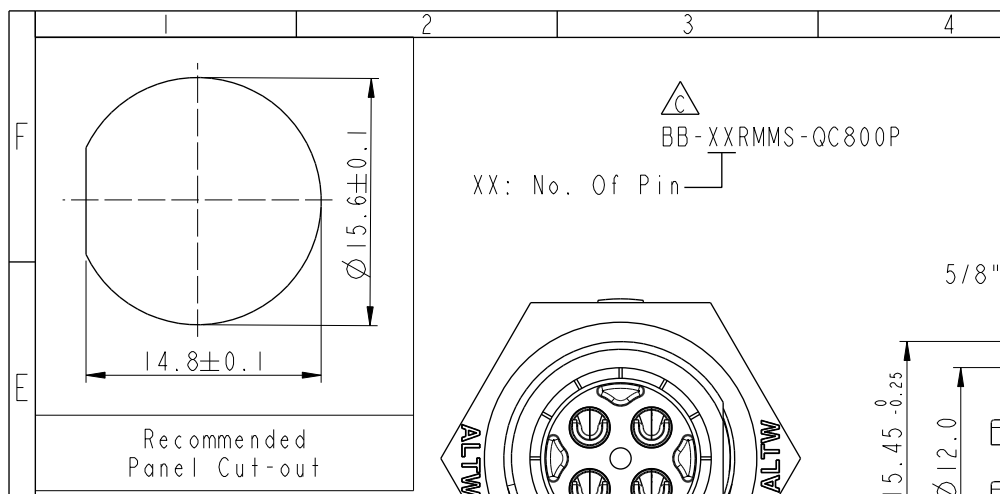


THIS DOCUMENT IS SUBJECT TO CHANGE WITHOUT NOTICE. IT IS CONFIDENTIAL AND A PROPERTY OF AMPHENOL LTW. DISCLOSURE TO THIRD PARTY HAS TO BE AUTHORIZED BY AMPHENOL LTW.

REV.	ECN NO.	DATE	SIGN	DESCRIPTION
B	C190411	2019/03/14	Vicky	Change Note
C	C220466	2022/04/13	Ruru	△C X5
D	C230086	2023/01/31	Ruru	△D XI



Note: △B △C
 * RoHS Compliant
 * ∅ Important dimension
 △ * Waterproof rate: IP68, unmated 1m/24h
 * Connector
 Housing: Thermoplastic, Black
 Pin: Copper alloy, Gold plated
 * Nut: Thermoplastic, Black
 * Gasket: Rubber, Gray
 * For panel thickness max: 4.5mm
 * Gasket and nut are packed separately in pe bag

UNIT:mm TOLERANCE .X ± 0.25 mm	TITLE XLOK, B-10A, REAR FASTENED M, M, SOLDER, PUSH LOCK △C		
	SCALE 2:1	SIZE A4	SHEET 1 OF 1
	REV. D	WC-REV. A.1	∅ Inspection item
	△		

Amphenol LTW
安費諾亮泰企業股份有限公司

ITEM NO	DRAWN BY Vicky	DATE 2019-03-14
DWG NO BB-XXRMS-QC800P △C	CHECKED BY Rita	DATE 2019-03-14
CUSTOMER ALTW	APPROVED BY Max	DATE 2019-03-14