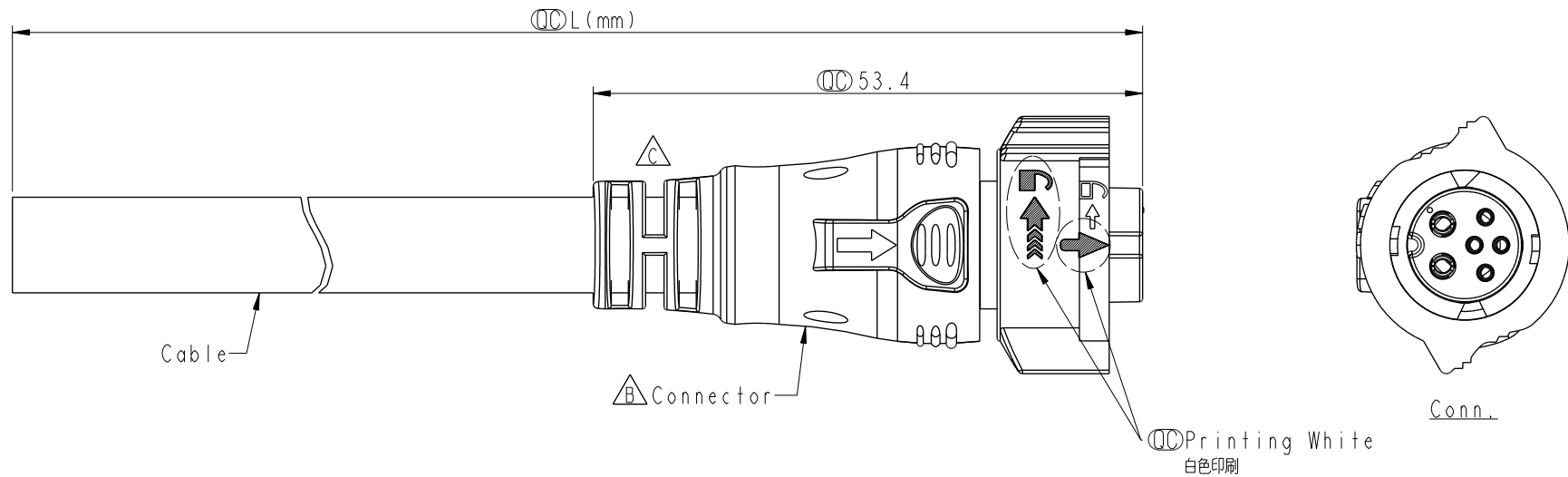
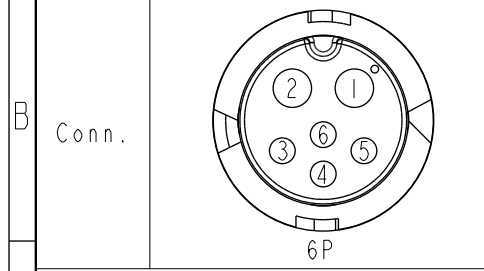


THIS DOCUMENT IS SUBJECT TO CHANGE WITHOUT NOTICE. IT IS CONFIDENTIAL AND A PROPERTY OF Amphenol LTW. DISCLOSURE TO THIRD PARTY HAS TO BE AUTHORIZED BY Amphenol LTW.

REV.	ECN NO.	DATE	SIGN	DESCRIPTION
B	C220644	2022/04/27	Ruru	$\triangle B$ X5
C	C221777	2022/11/14	Vicky	$\triangle C$ X1
D	C230120	2023/02/03	Ruru	$\triangle D$ X1



Pin Out	Color	Gauge	Notes
6	Blue	(26AWG)	藍紅 綠白 黑白
5	Red	(26AWG)	
4	Green	(26AWG)	Twist
3	White	(26AWG)	
2	Black	(16AWG)	Twist
1	White	(16AWG)	
	Pin #	Wire	



$\triangle B$
BBD-XXAFFM-QL8FXX
XX: No. Of Pin
XX: 01~99Meters
01: 01Meter
02: 02Meters
:
:
99: 99Meters

Note: $\triangle B$
 * RoHS Compliant
 * ⌀ Important dimension
 $\triangle D$ * Waterproof rate: IP68, mated 1m/24h
 * Connector
 Housing: Thermoplastic, Black
 Pin: Copper Alloy, Gold Plated
 O-Ring: Rubber, Dark Gray
 Nut: Thermoplastic, Black
 Outer mold: Thermoplastic, Black
 * Cable: UL21996 16AWG*2C+(26AWG*2P+AL/MY)
 +F+AL/MY, OD=9.3mm, PVC Jacket, Black
 * Cable length tolerance: 1M: +50/-0 mm
 1M < L ≤ 3M: +100/-0 mm
 3M < L ≤ 5M: +150/-0 mm
 5M < L ≤ 10M: ±100 mm
 10M < L ≤ 20M: ±200 mm
 20M < L ≤ 30M: ±300 mm
 30M < L ≤ 99M: ±500 mm

UNIT:mm		TITLE	XLOK, B-10A+5A, CABLE W/SR F, F, MOLDING, PUSH LOCK $\triangle B$	
TOLERANCE	±0.5 mm	SCALE	3:2	SIZE A4
REV.	D	WC-REV.	A.1	SHEET 1 OF 1
			⌀ : Inspection item	

Amphenol LTW
安費諾亮泰企業股份有限公司

ITEM NO	DRAWN BY	DATE
	Spring	2016-05-07
DWG NO	CHECKED BY	DATE
BBD-XXAFFM-QL8FXX $\triangle B$	Fisher	2016-05-07
CUSTOMER	APPROVED BY	DATE
ALTW	Kevin	2016-05-07