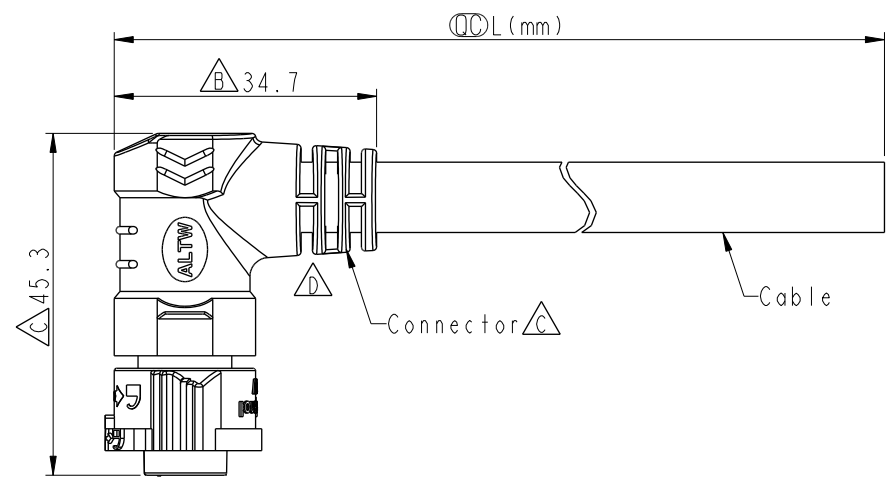


THIS DOCUMENT IS SUBJECT TO CHANGE WITHOUT NOTICE. IT IS CONFIDENTIAL AND A PROPERTY OF Amphenol LTW. DISCLOSURE TO THIRD PARTY HAS TO BE AUTHORIZED BY Amphenol LTW.

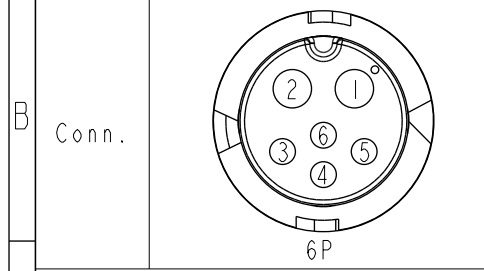
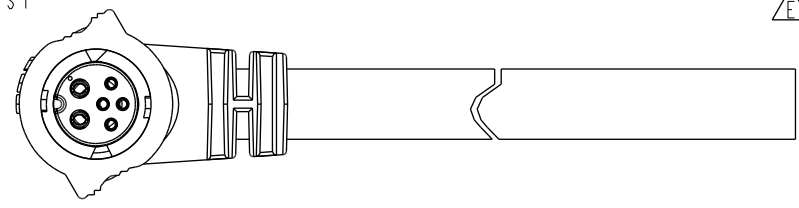
REV.	ECN NO.	DATE	SIGN	DESCRIPTION
C	C220644	2022/04/27	Ruru	△C X6
D	C221777	2022/11/14	Vicky	△D XI
E	C230120	2023/02/03	Ruru	△E XI



△B △C
BBD-XXAFFM-QR8FXX

XX: No. Of Pin
 XX: 01~99Meters
 01: 01Meter
 02: 02Meters
 ...
 99: 99Meters

Pin Out	Wire	Color	AWG	Notes
6	Blue	(26AWG)	藍	Twist
5	Red	(26AWG)	紅	
4	Green	(26AWG)	綠	Twist
3	White	(26AWG)	白	
2	Black	(16AWG)	黑	
1	White	(16AWG)	白	



Note: △
 * RoHS Compliant
 * (C) Important dimension
 △E * Waterproof rate: IP68, mated 1m/24h
 * Connector
 Housing: Thermoplastic, Black
 Pin: Copper Alloy, Gold Plated
 O-Ring: Rubber, Dark Gray
 Nut: Thermoplastic, Black
 Outer mold: Thermoplastic, Black
 * Cable: UL21996 16AWG*2C+(26AWG*2P+AL/MY)
 +F+AL/MY, OD=9.3mm, PVC Jacket, Black
 * Cable length tolerance: 1M: +50/-0 mm
 1M < L ≤ 3M: +100/-0 mm
 3M < L ≤ 5M: +150/-0 mm
 5M < L ≤ 10M: ±100 mm
 10M < L ≤ 20M: ±200 mm
 20M < L ≤ 30M: ±300 mm
 30M < L ≤ 99M: ±500 mm

UNIT:mm		TITLE	XLOK, B-10A+5A, CABLE W/SR F, F, MOLDING, PUSH LOCK △C		
TOLERANCE	±0.5 mm	SCALE	1:1	SIZE	A4
		REV.	E	WC-REV.	A.2
				(C):	Inspection item

Amphenol LTW
 安費諾亮泰企業股份有限公司

ITEM NO	DRAWN BY	DATE
	Frank Deng	2017-02-13
DWG NO	CHECKED BY	DATE
BBD-XXAFFM-QR8FXX △C	Spring Liu	2017-02-13
CUSTOMER	APPROVED BY	DATE
ALTW	Kevin Hu	2017-02-13