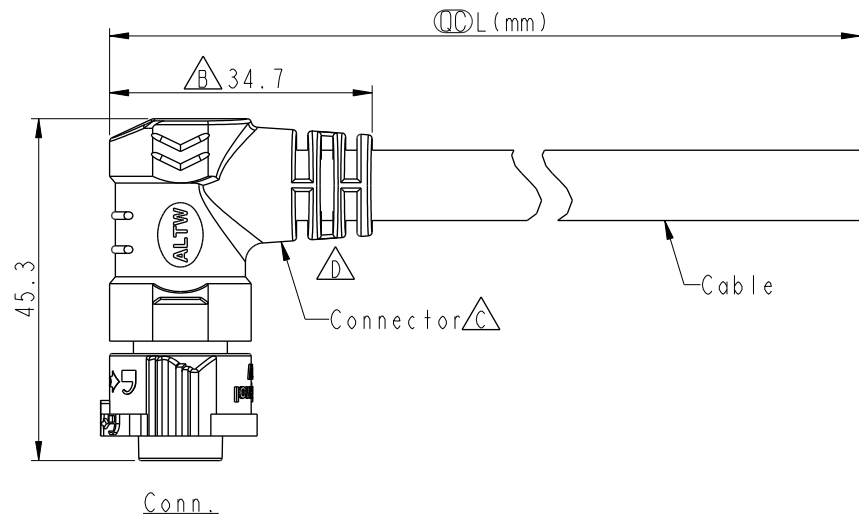


THIS DOCUMENT IS SUBJECT TO CHANGE WITHOUT NOTICE. IT IS CONFIDENTIAL AND A PROPERTY OF Amphenol LTW. DISCLOSURE TO THIRD PARTY HAS TO BE AUTHORIZED BY Amphenol LTW.

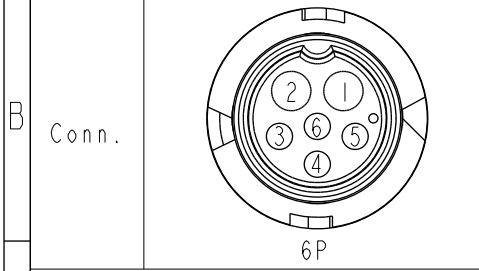
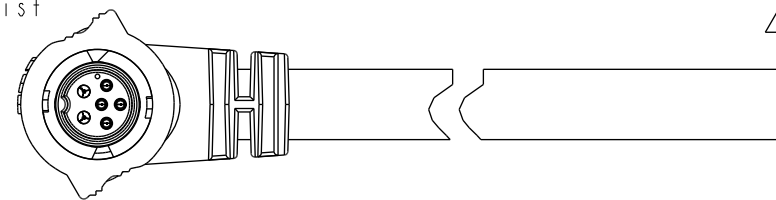
REV.	ECN NO.	DATE	SIGN	DESCRIPTION
C	C220644	2022/04/27	Ruru	$\triangle C$ X5
D	C221777	2022/11/14	Vicky	$\triangle D$ XI
E	C230120	2023/02/03	Ruru	$\triangle E$ XI



$\triangle B \triangle C$
BBD-XXAFMM-QR8FXX
XX: No. Of Pin

XX: 01~99Meters
01: 01Meter
02: 02Meters
:
:
:
99: 99Meters

Pin Out	Color	Gauge	Notes
6	Blue	(26AWG)	藍 紅 綠 白 黑 白 Twist
5	Red	(26AWG)	
4	Green	(26AWG)	
3	White	(26AWG)	
2	Black	(16AWG)	
1	White	(16AWG)	



Pin Assignments Front View

Note: $\triangle C$

- * RoHS Compliant
- * $\text{\textcircled{C}}$ Important dimension
- $\triangle E$ * Waterproof rate: IP68, mated 1m/24h
- * Connector
- Housing: Thermoplastic, Black
- Pin: Copper Alloy, Gold Plated
- O-Ring: Rubber, Dark Gray
- Nut: Thermoplastic, Black
- Outer mold: Thermoplastic, Black
- * Cable: UL21996 16AWG*2C+(26AWG*2P+AL/MY)
- +F+AL/MY, OD=9.3mm, PVC Jacket, Black
- * Cable length tolerance: 1M: +50/-0 mm

1M < L ≤ 3M: +100/-0 mm
3M < L ≤ 5M: +150/-0 mm
5M < L ≤ 10M: ±100 mm
10M < L ≤ 20M: ±200 mm
20M < L ≤ 30M: ±300 mm
30M < L ≤ 99M: ±500 mm

UNIT:mm	$\text{\textcircled{C}}$	TITLE	XLOK, B-10A+5A, CABLE W/SR F, M, MOLDING, PUSH LOCK $\triangle C$		
TOLERANCE	± 0.5 mm	SCALE	1:1	SIZE	A4
		REV.	E	WC-REV.	A.4
				$\text{\textcircled{C}}$	Inspection item

Amphenol LTW		ITEM NO	DRAWN BY	DATE
安費諾亮泰企業股份有限公司		BBD-XXAFMM-QR8FXX $\triangle C$	Frank Deng	2017-02-13
		DWG NO	CHECKED BY	DATE
		BBD-XXAFMM-QR8FXX $\triangle C$	Spring Liu	2017-02-13
		CUSTOMER	APPROVED BY	DATE
		ALTW	Kevin Hu	2017-02-13