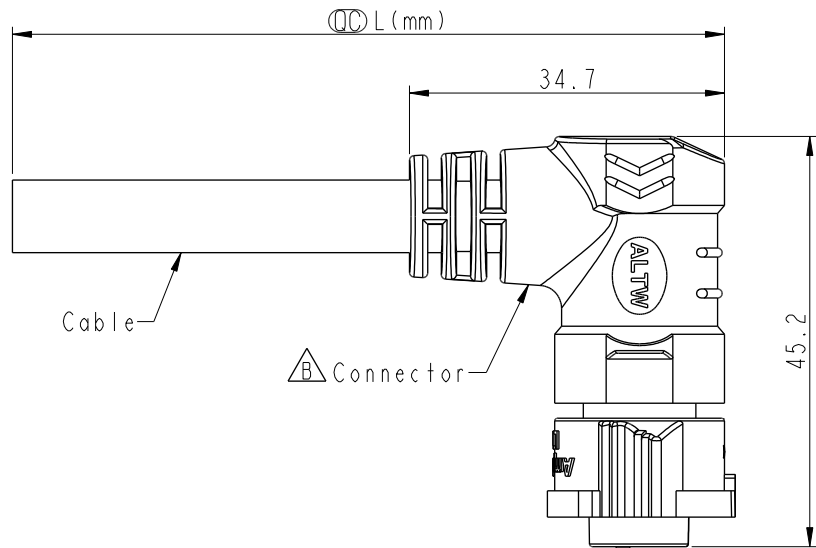


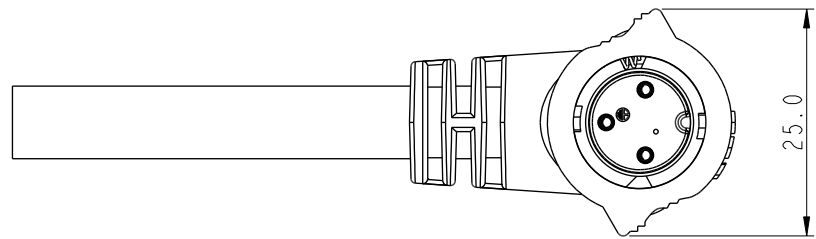
THIS DOCUMENT IS SUBJECT TO CHANGE WITHOUT NOTICE. IT IS CONFIDENTIAL AND A PROPERTY OF Amphenol LTW. DISCLOSURE TO THIRD PARTY HAS TO BE AUTHORIZED BY Amphenol LTW.

REV.	ECN NO.	DATE	SIGN	DESCRIPTION
B	LE31680203	2016/07/18	Tom Gu	Change Part No. of Half Finished
C	C220466	2022/04/12	Ruru	△C X5
D	C230121	2023/02/06	Ruru	△D X1



△C  
BD-XXAFFM-QR8EXX  
XX: No. Of Pin

XX : 01~99Meters  
01 : 01Meter  
02 : 02Meters  
:  
:  
:  
99 : 99Meters



Note: △C

- \* RoHS Compliant
- \* △C Important dimension
- △D \* Waterproof rate: IP68, mated 1m/24h
- \* Connector
- Housing: Thermoplastic, Black
- Pin: Copper Alloy, Gold Plated
- O-Ring: Rubber, Dark Gray
- Nut: Thermoplastic, Black
- Outer mold: Thermoplastic, Black
- \* Cable: SJTW, 18#\*3C, OD=8.0, PVC Jacket, Black
- \* Cable length tolerance: 1M: +50/-0 mm  
1M < L ≤ 3M: +100/-0 mm  
3M < L ≤ 5M: +150/-0 mm  
5M < L ≤ 10M: ±100 mm  
10M < L ≤ 20M: ±200 mm  
20M < L ≤ 30M: ±300 mm  
30M < L ≤ 99M: ±500 mm

Pin Out	Wire	Color
3	White	白
2	Green	綠
1	Black	黑

Pin #	Wire
3	White
2	Green
1	Black

3P △B

Pin Assignments Front View

UNIT:mm		TITLE
TOLERANCE	±0.5 mm	XLOK, B-5A, CABLE W/SR F, F, MOLDING, PUSH LOCK △C
SCALE	6:5	SIZE A4
REV.	D	WC-REV. A.2
		◎: Inspection item

**Amphenol LTW**  
安費諾亮泰企業股份有限公司

ITEM NO	DRAWN BY	DATE
	Tom Gu	2016-07-18
DWG NO	CHECKED BY	DATE
BD-XXAFFM-QR8EXX △C	Spring Liu	2016-07-18
CUSTOMER	APPROVED BY	DATE
ALTW	Kevin Hu	2016-07-18