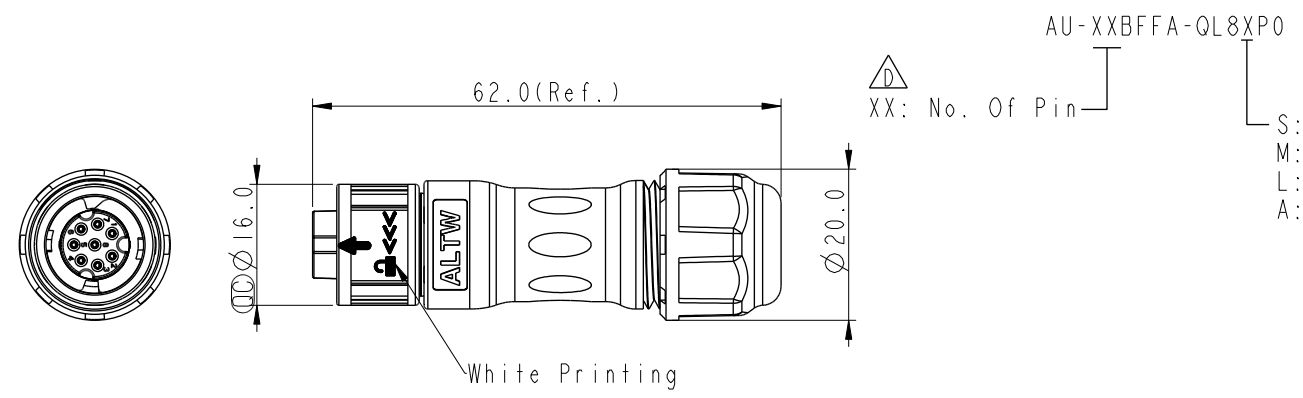
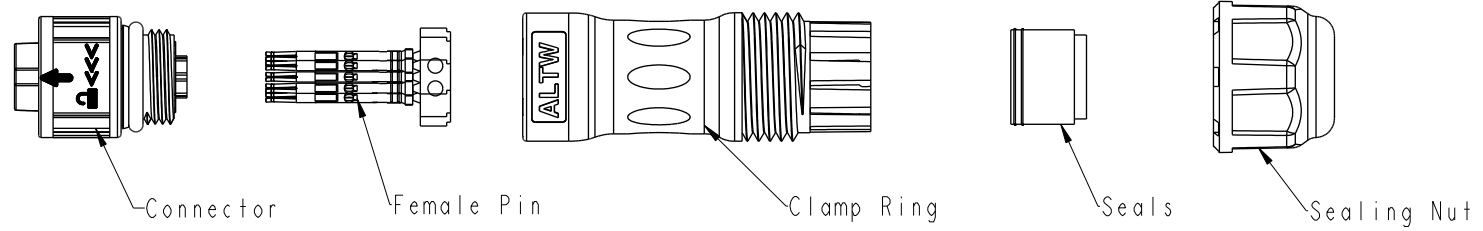


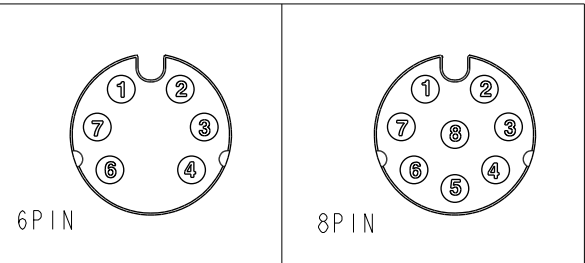
THIS DOCUMENT IS SUBJECT TO CHANGE WITHOUT NOTICE. IT IS CONFIDENTIAL AND A PROPERTY OF AMPHENOL LTW. DISCLOSURE TO THIRD PARTY HAS TO BE AUTHORIZED BY AMPHENOL LTW.

REV.	ECN NO.	DATE	SIGN	DESCRIPTION
B	C220971	2022-06-25	Ouyang	$\triangle B$ X2
C	C221184	2022-08-04	Ouyang	$\triangle C$ X1
D	C230124	2023-02-06	Ruru	$\triangle D$ X3



- S: With Red Color Seal 1, Cable OD 5.0~6.0mm.
- M: With Yellow Color Seal 2, Cable OD 6.0~8.0mm.
- L: With Blue Color Seal 3, Cable OD 8.0~10.0mm.
- A: With Seal 1 & Seal 2 & Seal 3.

- Note: $\triangle B$ $\triangle C$
- * RoHS Compliant
 - * \odot Important Dimension
 - $\triangle D$ * Waterproof Rate: IP68, Mated 1m/24h
 - * Connector
 - Housing: Thermoplastic, Black
 - Pin: Copper Alloy, Gold Plated
 - Nut: Thermoplastic, Black
 - O-Ring: Rubber, Gray
 - Mated O-Ring: Rubber, Black
 - * Clamp Ring: Thermoplastic, Black
 - * Sealing Nut: Thermoplastic, Black
 - * Seal 1: Rubber, Red,
 - * Seal 2: Rubber, Yellow,
 - * Seal 3: Rubber, Blue,
 - * One set unassembled in one PE bag



Pin Assignments Front View

UNIT:mm	\odot	∇	TITLE XLOK, A-2A, CABLE W/O SR F, F, FI CRIMP, PUSH LOCK $\triangle D$
TOLERANCE	$\pm 0.5mm$		
SCALE 1:1	SIZE A4	SHEET 1	OF 1
REV. D	WC-REV. .0	\odot : Inspection item	

Amphenol LTW

安費諾亮泰企業股份有限公司

ITEM NO	$\triangle B$	DRAWN BY Ouyang	DATE 2022-06-10
DWG NO AU-XXBFFA-QL8XP0		CHECKED BY Jerry	DATE 2022-06-10
CUSTOMER ALTW		APPROVED BY Fred	DATE 2022-06-10