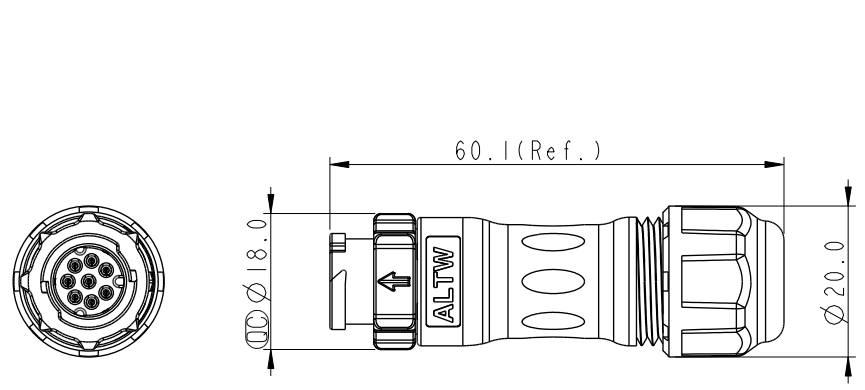
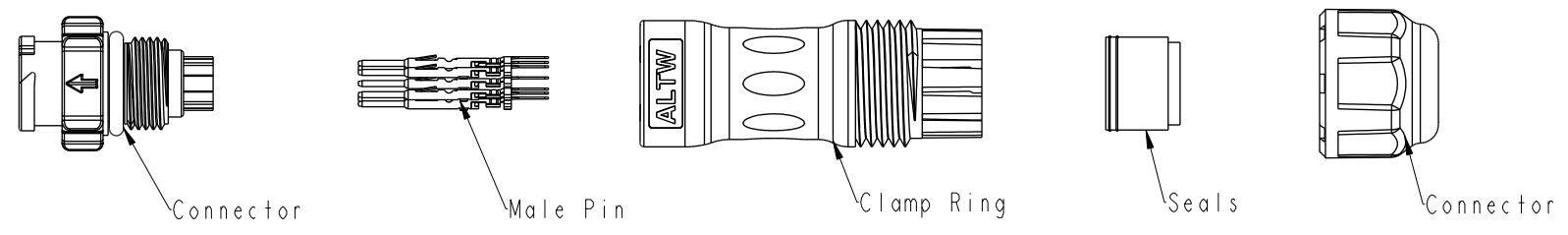


THIS DOCUMENT IS SUBJECT TO CHANGE WITHOUT NOTICE. IT IS CONFIDENTIAL AND A PROPERTY OF AMPHENOL LTW. DISCLOSURE TO THIRD PARTY HAS TO BE AUTHORIZED BY AMPHENOL LTW.

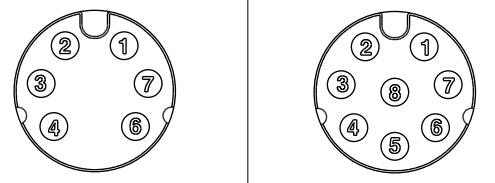
REV.	ECN NO.	DATE	SIGN	DESCRIPTION
B	C220971	2022-06-25	Ouyang	$\triangle B$ XI
C	C221184	2022-08-04	Ouyang	$\triangle C$ XI
D	C230124	2023-02-06	Ruru	$\triangle D$ X3



$\triangle D$
XX: No. Of Pin

S: With Red Color Seal 1, Cable OD 5.0~6.0mm.
M: With Yellow Color Seal 2, Cable OD 6.0~8.0mm.
L: With Blue Color Seal 3, Cable OD 8.0~10.0mm.
A: With Seal 1 & Seal 2 & Seal 3.

- Note: $\triangle B$ $\triangle C$
- * RoHS Compliant
 - * CC Important Dimension
 - $\triangle D$ * Waterproof Rate: IP68, Mated 1m/24h
 - * Connector
 - Housing: Thermoplastic, Black
 - Pin: Copper Alloy, Gold Plated
 - Nut: Thermoplastic, Black
 - O-Ring: Rubber, Gray
 - * Clamp Ring: Thermoplastic, Black
 - * Sealing Nut: Thermoplastic, Black
 - * Seal 1: Rubber, Red,
 - * Seal 2: Rubber, Yellow,
 - * Seal 3: Rubber, Blue,
 - * One set unassembled in one PE bag



6Pin 8Pin
Pin Assignments Front View

UNIT:mm		TITLE
TOLERANCE		XLOK, A-2A, CABLE W/O SR M, M, FI CRIMP, PUSH LOCK $\triangle D$
$\pm 0.5\text{mm}$		SCALE 1:1 SIZE A4 SHEET 1 OF 1
		REV. D WC-REV. .0 CC : Inspection item

Amphenol LTW
安費諾亮泰企業股份有限公司

ITEM NO	DRAWN BY	DATE
	Ouyang	2022-06-10
DWG NO	CHECKED BY	DATE
AU-XXBMMMA-QL8XP0	Jerry	2022-06-10
CUSTOMER	APPROVED BY	DATE
ALTW	Fred	2022-06-10