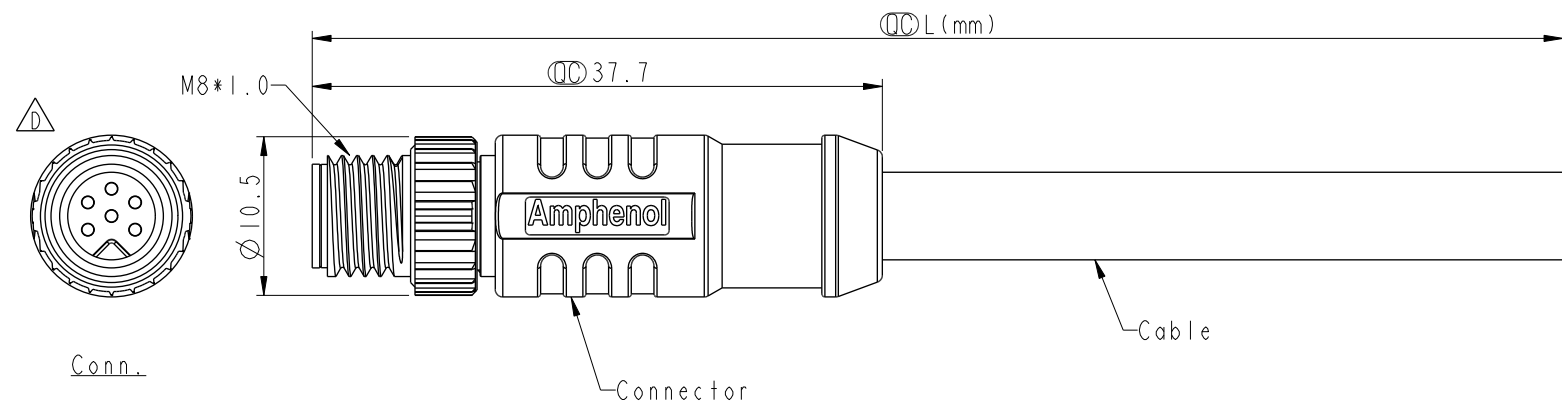


THIS DOCUMENT IS SUBJECT TO CHANGE WITHOUT NOTICE. IT IS CONFIDENTIAL AND A PROPERTY OF Amphenol LTW. DISCLOSURE TO THIRD PARTY HAS TO BE AUTHORIZED BY Amphenol LTW.

REV.	ECN NO.	DATE	SIGN	DESCRIPTION
C	C210637	2021/05/05	Vicky	$\triangle C$ XI
D	C221201	2022/08/04	Lynne	$\triangle D$ X3
E	C221882	2022/12/19	Vicky	$\triangle E$ XI



- $\triangle C$ Note:
- * RoHS Compliant
 - * ⌀ Important dimension
 - $\triangle E$ * Waterproof rate: IP67, mated
 - * Connector
 - Housing: Thermoplastic, Black
 - Pin: Copper alloy, Gold plated
 - $\triangle B$ * Nut: Metal
 - Shield: Metal
 - Outer mold: Thermoplastic, Black
 - * Cable: UL2517, PVC Jacket, Black
 - * Cable length tolerance: 1M: +50/-0 mm
 - 3M < L ≤ 3M: +100/-0 mm
 - 5M < L ≤ 5M: +150/-0 mm
 - 10M < L ≤ 10M: ±100 mm
 - 20M < L ≤ 20M: ±200 mm
 - 30M < L ≤ 30M: ±300 mm
 - 99M < L ≤ 99M: ±500 mm

UNIT: mm

TOLERANCE

±0.5mm

TITLE N SEN, M8W/KEY-SHLD, SCREW CABLE W/O SR, M, M, MOLDING		
SCALE 2:1	SIZE A4	SHEET 1 OF 2
REV. E	WC-REV. A.5	⌀ : Inspection item

Amphenol LTW
安費諾亮泰企業股份有限公司

ITEM NO.	DRAWN BY Vicky	DATE 2020-04-29
DWG NO. M8AS-XXBMMM-SL7DXX	CHECKED BY Rita	DATE 2020-04-29
CUSTOMER ALTW	APPROVED BY Max	DATE 2020-04-29

THIS DOCUMENT IS SUBJECT TO CHANGE WITHOUT NOTICE. IT IS CONFIDENTIAL AND A PROPERTY OF Amphenol LTW. DISCLOSURE TO THIRD PARTY HAS TO BE AUTHORIZED BY Amphenol LTW.

6P	5.8	24	M8AS-06BMMM-SL7DXX
4P	5.0		M8AS-04BMMM-SL7DXX
3P	4.6		M8AS-03BMMM-SL7DXX
Contacts	Cable OD	AWG	Item No.

M8AS-XXBMMM-SL7DXX

B
XX: No. Of Pin

XX: 01~99Meters
 01: 01 Meter
 02: 02 Meters
 :
 99: 99 Meters

Pin Out	Shield	Braid	Shield	Braid	Shield	Braid
4	4	Black	4	Black	6	Blue
3	3	Blue	3	Blue	5	Pink
1	1	Brown	2	White	4	Yellow
			1	Brown	3	Green
					2	Brown
					1	White

Pin #	Wire	Pin #	Wire	Pin #	Wire
4	Black	4	Black	6	Blue
3	Blue	3	Blue	5	Pink
1	Brown	2	White	4	Yellow
		1	Brown	3	Green
				2	Brown
				1	White

Conn.	3P	4P	6P

Pin Assignments Front View

UNIT:mm		TITLE	N SEN, M8W/KEY-SHLD, SCREW CABLE W/O SR, M, M, MOLDING		
TOLERANCE	±0.5mm	SCALE	1:1	SIZE	A4
		REV.	E	WC-REV.	.0
			SHEET 2 OF 2		
			QC: Inspection item		

Amphenol LTW
 安費諾亮泰企業股份有限公司

ITEM NO	DRAWN BY	DATE
DWG NO	CHECKED BY	DATE
CUSTOMER	APPROVED BY	DATE
ALTW	Vicky	2020-04-29
	Rita	2020-04-29
	Max	2020-04-29