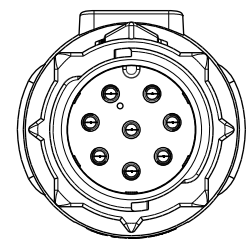
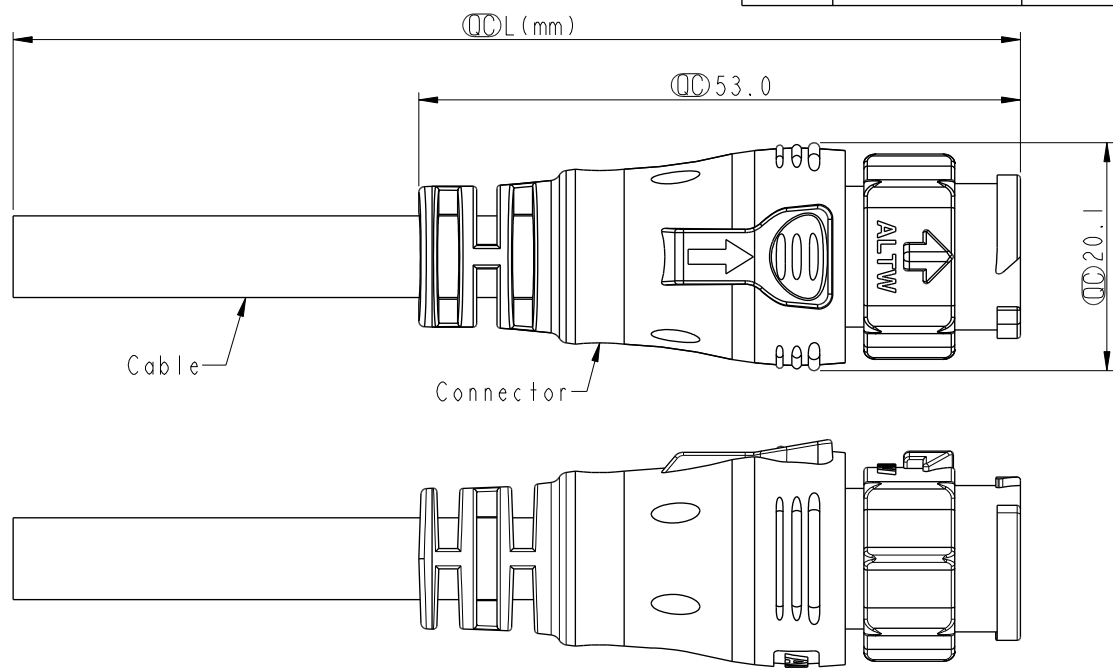


THIS DOCUMENT IS SUBJECT TO CHANGE WITHOUT NOTICE. IT IS CONFIDENTIAL AND A PROPERTY OF Amphenol LTW. DISCLOSURE TO THIRD PARTY HAS TO BE AUTHORIZED BY Amphenol LTW.

REV.	ECN NO.	DATE	SIGN	DESCRIPTION
B	C220466	2022/04/13	Ruru	$\triangle B$ X8
C	C230121	2023/02/06	Ruru	$\triangle C$ XI



Note: $\triangle B$

- * RoHS Compliant
- * \odot Important dimension
- $\triangle C$ * Waterproof rate: IP68, mated 1m/24h
- * Connector
- Housing: Thermoplastic, Black
- Pin: Copper Alloy, Gold Plated
- Outer mold: Thermoplastic, Black
- * Cable: UL21388, PVC Jacket, Black
- * Cable length tolerance: 1M: +50/-0 mm

1M < L ≤ 3M:	+100/-0 mm
3M < L ≤ 5M:	+150/-0 mm
5M < L ≤ 10M:	±100 mm
10M < L ≤ 20M:	±200 mm
20M < L ≤ 30M:	±300 mm
30M < L ≤ 99M:	±500 mm

UNIT: mm		TITLE
TOLERANCE	± 0.5 mm	XLOK, B-5A, CABLE W/SR M, M, MOLDING, PUSH LOCK $\triangle B$
SCALE	3:2	SIZE A4
REV.	C	SHEET 1 OF 2
		WC-REV. A.1
		\odot : Inspection item

Amphenol LTW
安費諾亮泰企業股份有限公司

ITEM NO	DRAWN BY	DATE
	Micky	2014-10-24
DWG NO	CHECKED BY	DATE
BD-XXAMMM-QL8DXX $\triangle B$	Spring	2014-10-24
CUSTOMER	APPROVED BY	DATE
ALTW	Kevin	2014-10-24

THIS DOCUMENT IS SUBJECT TO CHANGE WITHOUT NOTICE. IT IS CONFIDENTIAL AND A PROPERTY OF Amphenol LTW. DISCLOSURE TO THIRD PARTY HAS TO BE AUTHORIZED BY Amphenol LTW.

	8P	7.2	20	BD-08AMMM-QL8DXX
	7P	6.8		BD-07AMMM-QL8DXX
	6P	6.8		BD-06AMMM-QL8DXX
	5P	6.2		BD-05AMMM-QL8DXX
	4P	6.0		BD-04AMMM-QL8DXX
	3P	5.5		BD-03AMMM-QL8DXX
	2P	5.5		BD-02AMMM-QL8DXX
Contacts	Cable OD	AWG	Item No.	



BD-XXAMMM-QL8DXX

XX: No. Of Pin

XX: 01~99Meters
 01: 01Meter
 02: 02Meters
 :
 99: 99Meters



Pin Out	2	3	4	5	6	7	8
	Brown Black	Red Brown Black	Orange Red Brown Black	Yellow Orange Red Brown Black	Green Yellow Orange Red Brown Black	Blue Green Yellow Orange Red Brown Black	Purple Blue Green Yellow Orange Red Brown Black
	棕 黑	紅 棕 黑	橙 紅 棕 黑	黃 橙 紅 棕 黑	綠 黃 橙 紅 棕 黑	藍 綠 黃 橙 紅 棕 黑	紫 藍 綠 黃 橙 紅 棕 黑
	Pin # Wire	Pin # Wire	Pin # Wire	Pin # Wire	Pin # Wire	Pin # Wire	Pin # Wire
Conn.							
	2P	3P	4P	5P	6P	7P	8P

Pin Assignments Front View

UNIT:mm TOLERANCE ±0.5 mm	TITLE XLOK, B-5A, CABLE W/SR M, M, MOLDING, PUSH LOCK		<h2 style="margin: 0;">Amphenol LTW</h2> <p style="margin: 0;">安費諾亮泰企業股份有限公司</p>	ITEM NO	DRAWN BY Micky	DATE 2014-10-24	
	SCALE 3:2	SIZE A4		SHEET 2 OF 2	DWG NO BD-XXAMMM-QL8DXX	CHECKED BY Spring	DATE 2014-10-24
	REV. C	WC-REV. A.1		☉: Inspection item	CUSTOMER ALTW	APPROVED BY Kevin	DATE 2014-10-24