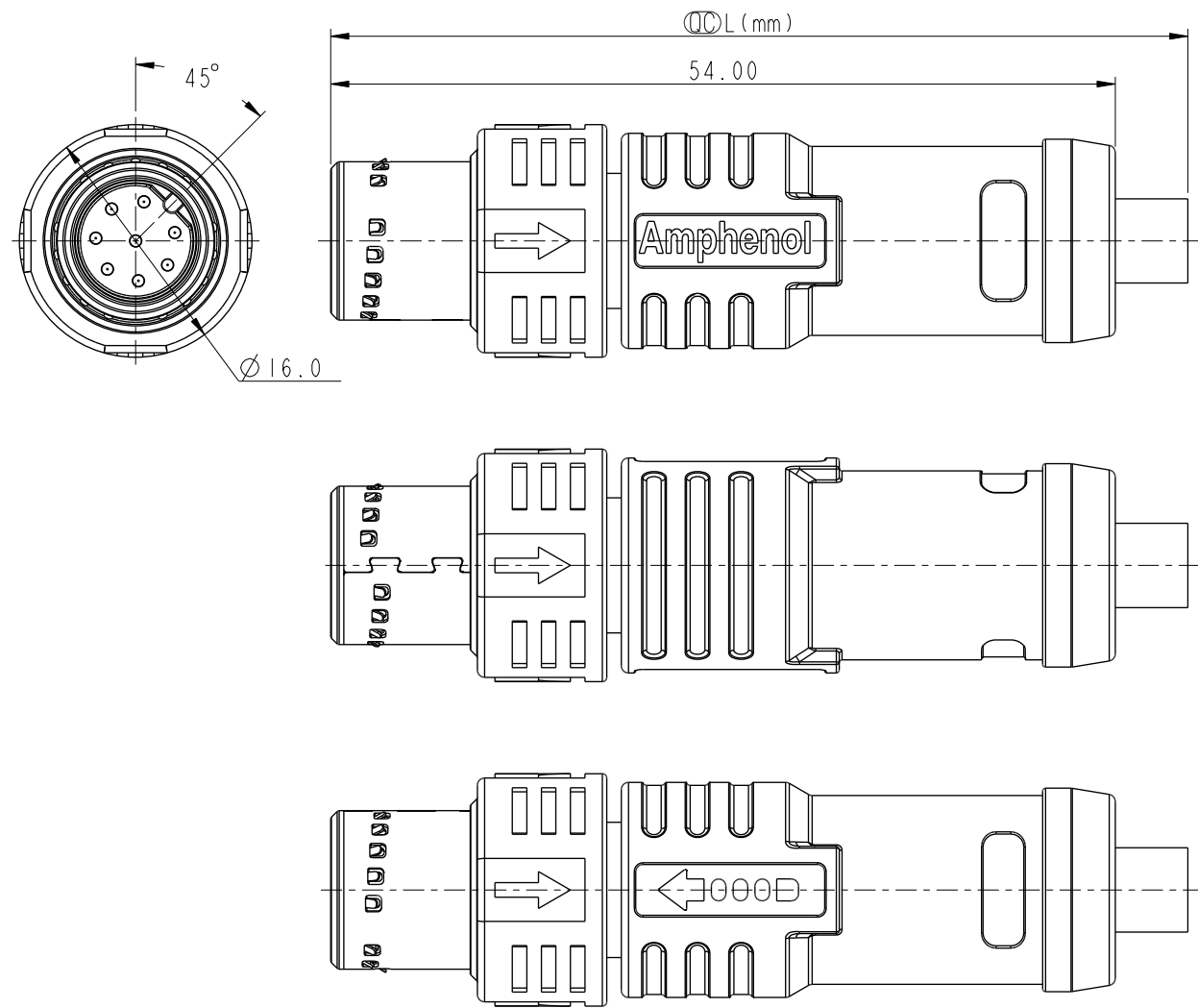


THIS DOCUMENT IS SUBJECT TO CHANGE WITHOUT NOTICE. IT IS CONFIDENTIAL AND A PROPERTY OF Amphenol LTW. DISCLOSURE TO THIRD PARTY HAS TO BE AUTHORIZED BY Amphenol LTW.

REV.	ECN NO.	DATE	SIGN	DESCRIPTION
A		2022/09/21	Sam Ho	Rev.01 to A, Initial Released
B	C230012	2023/01/05	Vicky	\triangle_B XI



MSAS- XX BMMM-PL8B XX

XX: No. Of Pin

XX:L=0~99Meters
 01:L=1Meters
 02:L=2Meters
 :
 99:L=99Meters

Note:

- * $\circ\circ$ Important Dimension
- * \triangle_B Waterproof Rate: IP68, Mated 1m/24h
- * Connector
 - * Housing: Thermoplastic, UL94V-0, Black.
 - * Male Pin: Copper Alloy, Gold Plated.
 - * Shell & Latch & Spring & Shield: Metal.
 - * Outer Mold: Thermoplastic, Black.
 - * Cable: PUR UL20549 Cable, Black.
- * Cable Length Tolerance:
 - 1M < L \leq 3M: +100/-0 mm
 - 3M < L \leq 5M: +150/-0 mm
 - 5M < L \leq 10M: \pm 100 mm
 - 10M < L \leq 20M: \pm 200 mm
 - 20M < L \leq 30M: \pm 300 mm
 - 30M < L \leq 99M: \pm 500 mm

UNIT: mm			TITLE N SEN, M12 A -SHLD, PUSH PULL CABLE W/O SR, M, M, MOLDING
TOLERANCE ± 0.50 mm	SCALE 2:1	SIZE A4	SHEET 1 OF 2
REV. B	WC-REV.	$\circ\circ$: Inspection item	

Amphenol LTW
 安費諾亮泰企業股份有限公司

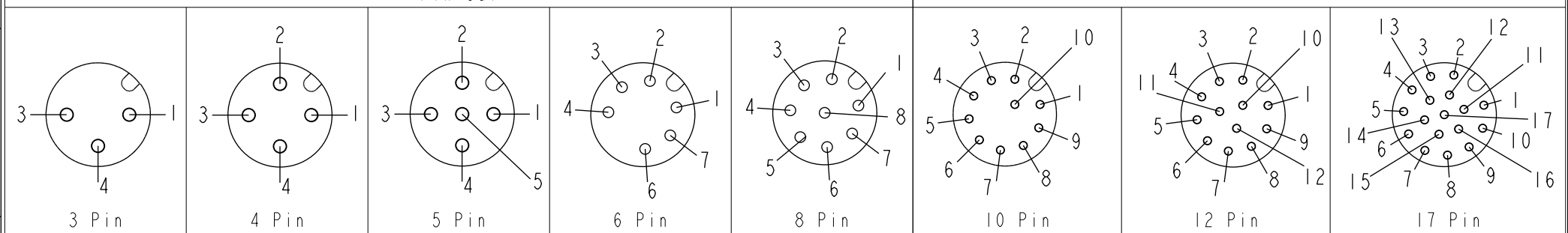
ITEM NO.	DRAWN BY Sam Ho	DATE 2022-09-21
DWG NO. MSAS-XXBMMM-PL8BXX	CHECKED BY Fred Lee	DATE 2022-09-21
CUSTOMER ALTW	APPROVED BY Fred Lee	DATE 2022-09-21

17P	PUR	7.5	26	MSAS-17BMMM-PL8BXX
12P		6.4		MSAS-12BMMM-PL8BXX
10P		6.2		MSAS-10BMMM-PL8BXX
8P		5.8	24	MSAS-08BMMM-PL8BXX
6P		5.4		MSAS-06BMMM-PL8BXX
5P		5.7	22	MSAS-05BMMM-PL8BXX
4P		5.3		MSAS-04BMMM-PL8BXX
3P	4.8	MSAS-03BMMM-PL8BXX		
Contacts	Cable Jacket	Cable OD	AWG	Item No.

Shield	Braid	Shield	Braid	Shield	Braid
12 - -		12 Red/Blue	紅/藍	17 White/Gray	白/灰
11 - -		11 Gray/Pink	灰/粉	16 Yellow/Brown	黃/棕
10 Violet	紫	10 Violet	紫	15 White/Yellow	白/黃
9 Black	黑	9 Black	黑	14 Brown/Green	棕/綠
8 Red	紅	8 Red	紅	13 White/Green	白/綠
7 Blue	藍	7 Blue	藍	12 Red/Blue	紅/藍
6 Pink	粉	6 Pink	粉	11 Gray/Pink	灰/粉
5 Gray	灰	5 Gray	灰	10 Violet	紫
4 Yellow	黃	4 Yellow	黃	9 Red	紅
3 Green	綠	3 Green	綠	8 Gray	灰
2 Brown	棕	2 Brown	棕	7 Black	黑
1 White	白	1 White	白	6 Yellow	黃
				5 Pink	粉
				4 Green	綠
				3 White	白
				2 Blue	藍
				1 Brown	棕

Shield	Braid	Shield	Braid	Shield	Braid	Shield	Braid	Shield	Braid
5 - -		5 - -		5 Gray	灰	5 - -		5 Gray	灰
4 Black	黑	4 Black	黑	4 Black	黑	4 Yellow	黃	4 Yellow	黃
3 Blue	藍	3 Blue	藍	3 Blue	藍	3 Green	綠	3 Green	綠
2 - -		2 White	白	2 White	白	2 Brown	棕	2 Brown	棕
1 Brown	棕	1 Brown	棕	1 Brown	棕	1 White	白	1 White	白
Pin #	Wire	Pin #	Wire	Pin #	Wire	Pin #	Wire	Pin #	Wire

Pin Out



Pin Assignments Front View

UNIT:mm		TITLE
TOLERANCE	±0.50mm	N SEN, M12 A -SHLD, PUSH PULL CABLE W/O SR, M, M, MOLDING
SCALE	2:1	SIZE
REV.	B	A4
WC-REV.		SHEET
		2 OF 2
		QC: Inspection item

Amphenol LTW
安費諾亮泰企業股份有限公司

ITEM NO	DWG NO	CUSTOMER	DRAWN BY	CHECKED BY	APPROVED BY	DATE
	MSAS-XXBMMM-PL8BXX	ALTW	Sam Ho	Fred Lee	Fred Lee	2022-09-21