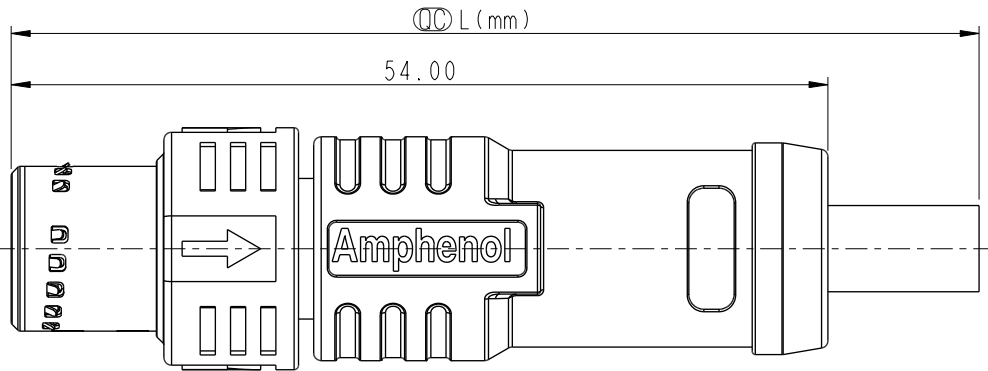
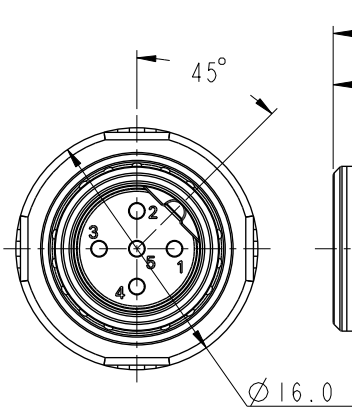


THIS DOCUMENT IS SUBJECT TO CHANGE WITHOUT NOTICE. IT IS CONFIDENTIAL AND A PROPERTY OF Amphenol LTW. DISCLOSURE TO THIRD PARTY HAS TO BE AUTHORIZED BY Amphenol LTW.

1	2	3	4	5	6	7	8
5P Contacts	PUR Cable Jacket	5.7 Cable OD	22 AWG	MSBS-05BMMM-PL8BXX Item No.			

REV.	ECN NO.	DATE	SIGN	DESCRIPTION
A		2022/09/21	Sam Ho	Rev.01 to A, Initial Released
B	C230011	2023/01/05	Vicky	⚠ XI



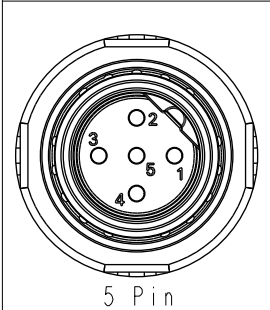
MSBS- XX BMMM-PL8B XX

XX: No. Of Pin

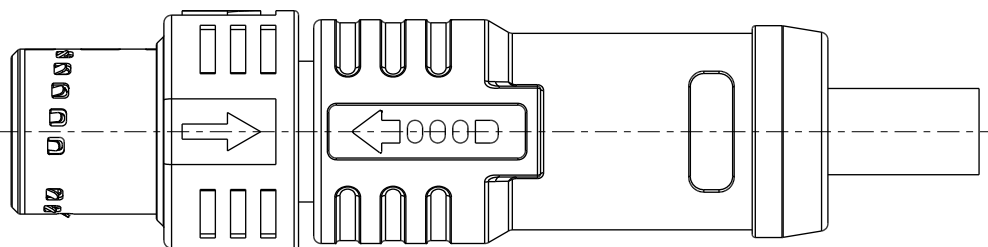
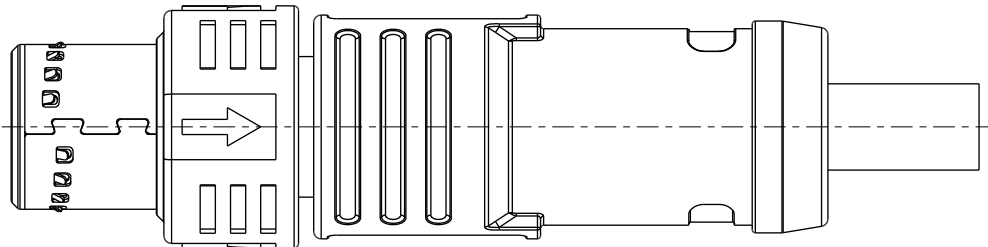
XX:L=0~99Meters  
01:L=1Meters  
02:L=2Meters  
:  
99:L=99Meters

Shield	Braid
5 Gray	灰
4 Black	黑
3 Blue	藍
2 White	白
1 Brown	棕

Pin #	Wire
Pin Out	



5 Pin  
Pin Assignments Front View



Note:

- \* Ⓞ Important Dimension
- \* ⚠ Waterproof Rate: IP68, Mated 1m/24h
- \* Connector
- \* Housing: Thermoplastic, UL94V-0, Black.
- \* Male Pin: Copper Alloy, Gold Plated.
- \* Shell & Latch & Spring & Shield: Metal.
- \* Outer Mold: Thermoplastic, Black.
- \* Cable: PUR UL20549 Cable, Black.
- \* Cable Length Tolerance:
  - 1M < L ≤ 3M: +100/-0 mm
  - 3M < L ≤ 5M: +150/-0 mm
  - 5M < L ≤ 10M: ±100 mm
  - 10M < L ≤ 20M: ±200 mm
  - 20M < L ≤ 30M: ±300 mm
  - 30M < L ≤ 99M: ±500 mm

UNIT:mm		
TOLERANCE		
±0.50mm		

TITLE N SEN, M12 B -SHLD, PUSH PULL CABLE W/O SR, M, M, MOLDING			
SCALE 2:1	SIZE A4	SHEET 1 OF 1	
REV. B	WC-REV.	Ⓞ: Inspection item	

**Amphenol LTW**  
安費諾亮泰企業股份有限公司

ITEM NO	DRAWN BY Sam Ho	DATE 2022-09-21
DWG NO MSBS-XXBMMM-PL8BXX	CHECKED BY Fred Lee	DATE 2022-09-21
CUSTOMER ALTW	APPROVED BY Fred Lee	DATE 2022-09-21