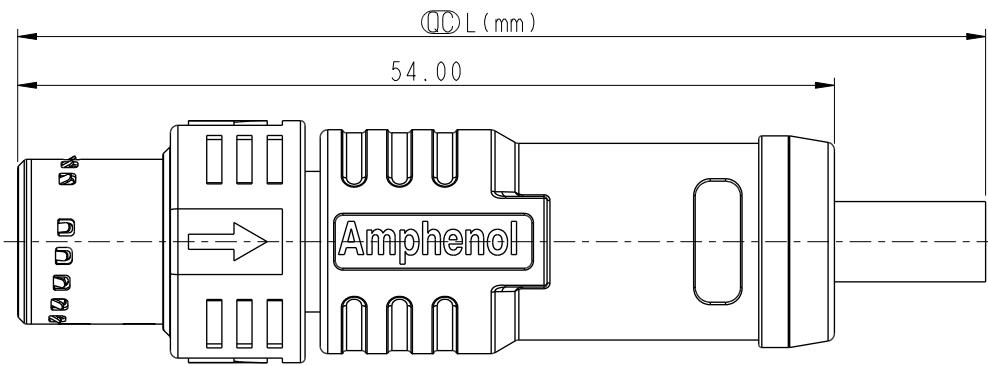
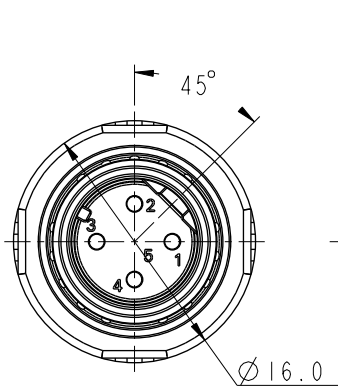


THIS DOCUMENT IS SUBJECT TO CHANGE WITHOUT NOTICE. IT IS CONFIDENTIAL AND A PROPERTY OF Amphenol LTW. DISCLOSURE TO THIRD PARTY HAS TO BE AUTHORIZED BY Amphenol LTW.

1	2	3	4
4P	PUR	5.3	22
Contacts	Cable Jacket	Cable OD	AWG
MSDS-04BMMM-PL8BXX Item No.			

REV.	ECN NO.	DATE	SIGN	DESCRIPTION
A		2022-09-21	Sam Ho	Rev.01 to A, Initial Released
B	C221951	2022-12-16	Ruru	$\triangle_B$ XI

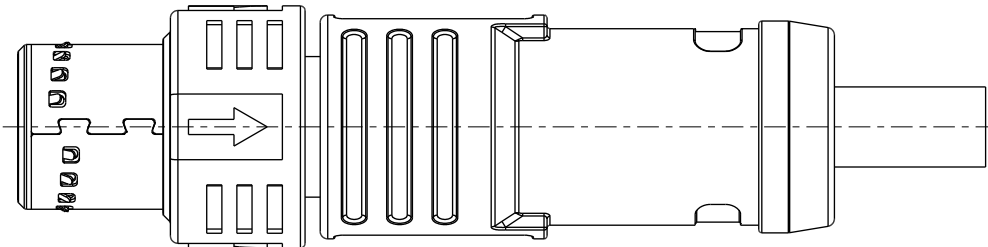


MSDS- XX BMMM-PL8B XX

XX: No. Of Pin

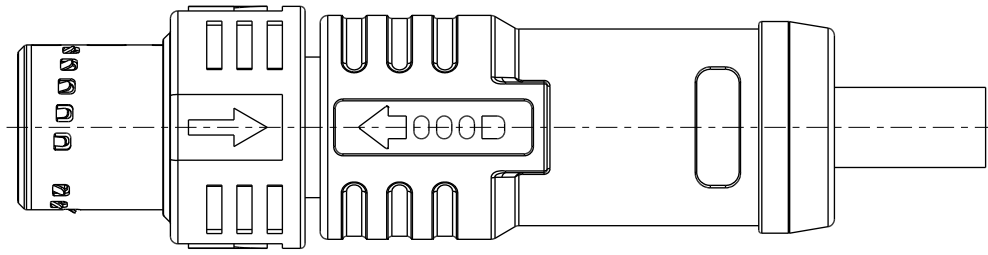
XX:L=0~99Meters  
01:L=1Meters  
02:L=2Meters  
:  
99:L=99Meters

Shield	Braid
4 Black	黑
3 Blue	藍
2 White	白
1 Brown	棕
Pin #	Wire
Pin Out	
4 Pin	
Pin Assignments Front View	



Note:

- \*  $\text{\textcircled{L}}$  Important Dimension
- $\triangle_B$ \* Waterproof Rate: IP68, Mated 1m/24h
- \* Connector
- Housing: Thermoplastic, UL94V-0, Black.
- Male Pin: Copper Alloy, Gold Plated.
- Shell & Latch & Spring & Shield: Metal.
- Outer Mold: Thermoplastic, Black.
- Cable: PUR UL20549 Cable, Black.
- \* Cable Length Tolerance: 1M: +50/-0 mm
- 1M < L ≤ 3M: +100/-0 mm
- 3M < L ≤ 5M: +150/-0 mm
- 5M < L ≤ 10M: ±100 mm
- 10M < L ≤ 20M: ±200 mm
- 20M < L ≤ 30M: ±300 mm
- 30M < L ≤ 99M: ±500 mm



UNIT:mm		
TOLERANCE	±0.50mm	

TITLE N SEN, M12 B -SHLD, PUSH PULL CABLE W/O SR, M, M, MOLDING			
SCALE 2:1	SIZE A4	SHEET 1 OF 1	
REV. B	WC-REV.	$\text{\textcircled{L}}$ : Inspection item	

**Amphenol LTW**  
安費諾亮泰企業股份有限公司

ITEM NO.	DRAWN BY Sam Ho	DATE 2022-09-21
DWG NO. MSDS-XXBMMM-PL8BXX	CHECKED BY Fred Lee	DATE 2022-09-21
CUSTOMER ALTW	APPROVED BY Fred Lee	DATE 2022-09-21