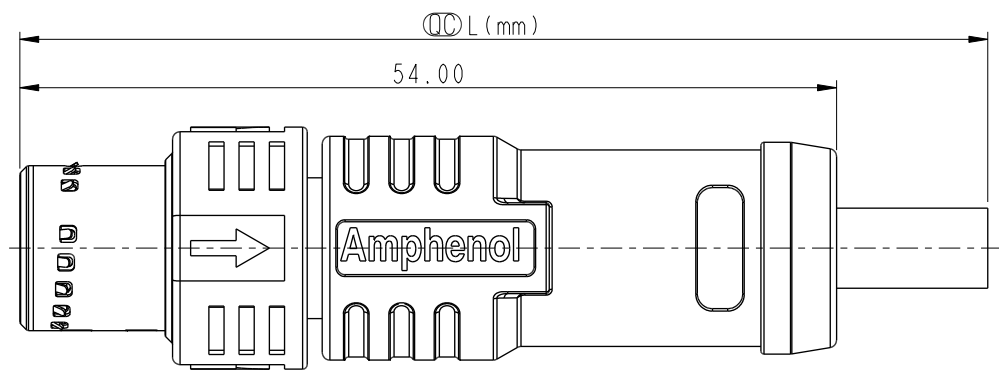
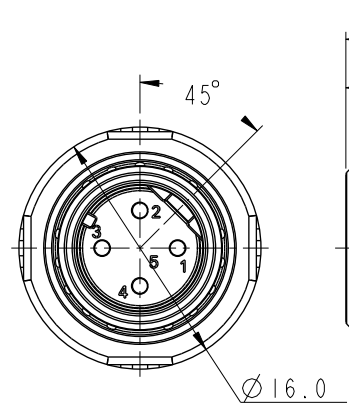


THIS DOCUMENT IS SUBJECT TO CHANGE WITHOUT NOTICE. IT IS CONFIDENTIAL AND A PROPERTY OF Amphenol LTW. DISCLOSURE TO THIRD PARTY HAS TO BE AUTHORIZED BY Amphenol LTW.

REV.	ECN NO.	DATE	SIGN	DESCRIPTION
A		2022-09-21	Sam Ho	Rev.01 to A, Initial Released
B	C221951	2022-12-16	Ruru	\triangle B XI

4P	PVC	5.3	22	MSDS-04BMMM-PL8DXX
Contacts	Cable Jacket	Cable OD	AWG	Item No.



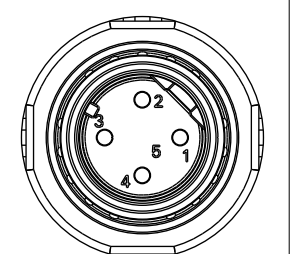
MSDS- XX BMMM-PL8D XX

XX: No. Of Pin

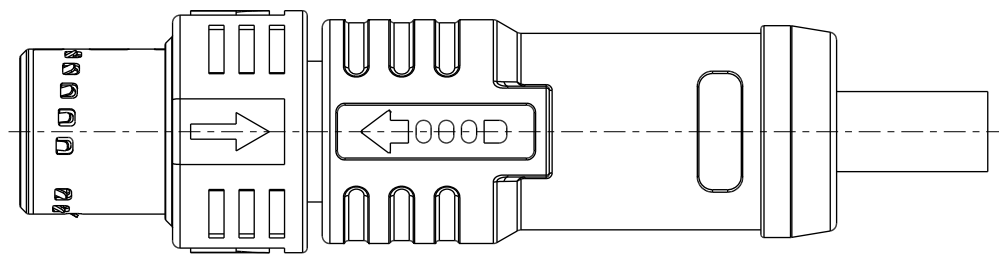
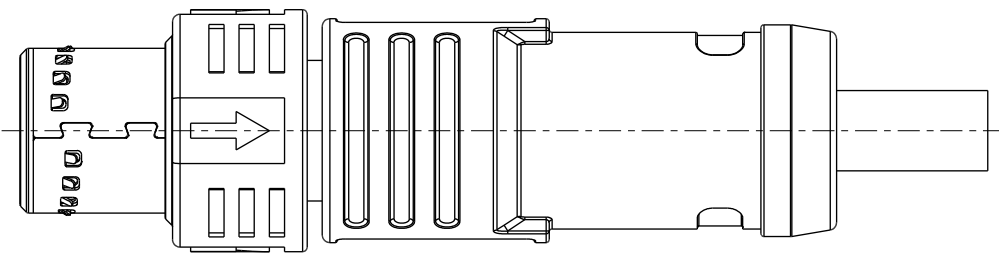
XX:L=0~99Meters
 01:L=1Meters
 02:L=2Meters
 :
 99:L=99Meters

Shield	Braid
4 Black	黑線
3 Blue	藍線
2 White	白線
1 Brown	棕線

Pin #	Wire
Pin Out	



4 Pin
Pin Assignments
Front View



Note:

- * $\text{\textcircled{C}}$ Important Dimension
- \triangle * Waterproof Rate: IP68, Mated 1m/24h
- * Connector
- Housing: Thermoplastic, UL94V-0, Black.
- Male Pin: Copper Alloy, Gold Plated.
- Shell & Latch & Spring & Shield: Metal.
- Outer Mold: Thermoplastic, Black.
- Cable: PVC UL2517 Cable, Black.
- * Cable Length Tolerance: 1M: +50/-0 mm
- 1M < L ≤ 3M: +100/-0 mm
- 3M < L ≤ 5M: +150/-0 mm
- 5M < L ≤ 10M: ±100 mm
- 10M < L ≤ 20M: ±200 mm
- 20M < L ≤ 30M: ±300 mm
- 30M < L ≤ 99M: ±500 mm

UNIT:mm	
TOLERANCE	±0.50mm

TITLE N SEN, M12 B -SHLD, PUSH PULL CABLE W/O SR, M, M, MOLDING			
SCALE 2:1	SIZE A4	SHEET 1 OF 1	
REV. B	WC-REV.	$\text{\textcircled{C}}$: Inspection item	

Amphenol LTW
安費諾亮泰企業股份有限公司

ITEM NO	DRAWN BY Sam Ho	DATE 2022-09-21
DWG NO MSDS-XXBMMM-PL8DXX	CHECKED BY Fred Lee	DATE 2022-09-21
CUSTOMER ALTW	APPROVED BY Fred Lee	DATE 2022-09-21