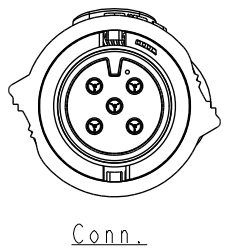
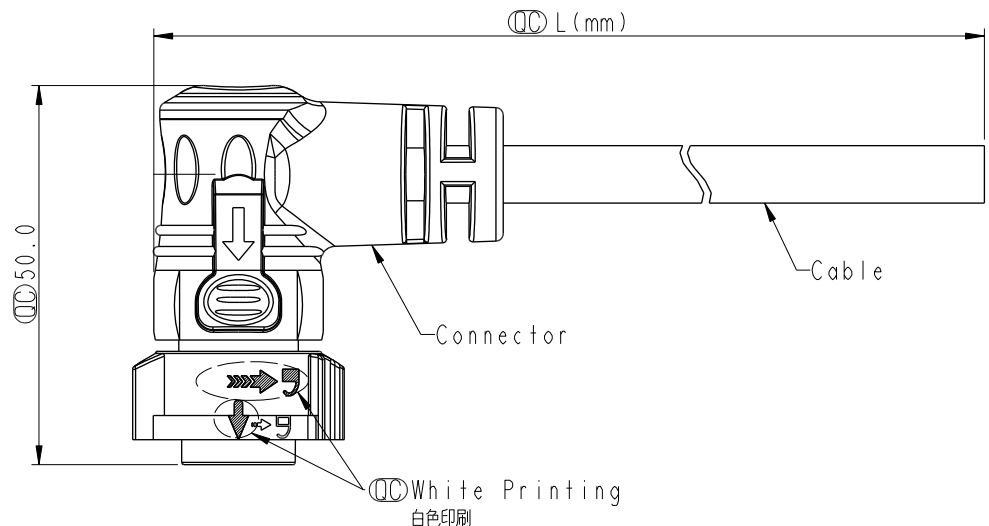


THIS DOCUMENT IS SUBJECT TO CHANGE WITHOUT NOTICE. IT IS CONFIDENTIAL AND A PROPERTY OF AMPHENOL LTW. DISCLOSURE TO THIRD PARTY HAS TO BE AUTHORIZED BY AMPHENOL LTW.

REV.	ECN NO.	DATE	SIGN	DESCRIPTION
B	C220553	2022/04/07	Vicky	XI0
C	C230084	2023/01/30	Vicky	XI



- Note:
- * RoHS Compliant
 - * Important dimension
 - * Waterproof rate: IP68, mated 1m/24h
 - * Connector
 - Housing: Thermoplastic, Black
 - Pin: Copper alloy, Gold plated
 - O-Ring: Rubber, Gray
 - Nut: Thermoplastic, Black
 - Outer mold: Thermoplastic, Black
 - * Cable: UL21388, PVC Jacket, Black
 - * Cable length tolerance: 1M: +50/-0 mm
 - 3M < L ≤ 5M: +100/-0 mm
 - 5M < L ≤ 10M: ±100 mm
 - 10M < L ≤ 20M: ±200 mm
 - 20M < L ≤ 30M: ±300 mm
 - 30M < L ≤ 99M: ±500 mm

UNIT: mm		TITLE	XLOK, C-10A, CABLE W/SR F, M, MOLDING, PUSH LOCK		
TOLERANCE		SCALE			SIZE
±0.5mm		1:1			A4
		REV. C	WC-REV. A.1	SHEET 1 OF 2	
			Inspection item		

Amphenol LTW
安費諾亮泰企業股份有限公司

ITEM NO.	DRAWN BY	DATE
	Wes Fan	2016-04-26
DWG NO.	CHECKED BY	DATE
CB-XXAFMM-QR8DXX	Spring Liu	2016-04-26
CUSTOMER	APPROVED BY	DATE
ALTW	Kevin Hu	2016-04-26

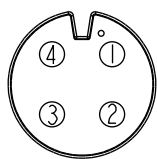
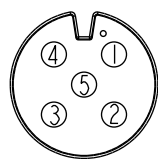
THIS DOCUMENT IS SUBJECT TO CHANGE WITHOUT NOTICE. IT IS CONFIDENTIAL AND A PROPERTY OF Amphenol LTW. DISCLOSURE TO THIRD PARTY HAS TO BE AUTHORIZED BY Amphenol LTW.

	5P	7.6	16	CB-05AFMM-QR8DXX
	4P	6.8		CB-04AFMM-QR8DXX
$\triangle B$	Contacts	Cable OD	AWG	Item No.


$\triangle B$
CB-XXAFMM-QR8DXX

XX: No. Of Pin

XX: 01~99Meters
 01: 01Meter
 02: 02Meters
 .
 99: 99Meters

Pin Out	4	Orange	橙	5	Yellow	黃
	3	Red	紅	4	Orange	橙
	2	Brown	棕	3	Red	紅
	1	Black	黑	2	Brown	棕
				1	Black	黑
	Pin #	Wire		Pin #	Wire	
Conn.						
	4P		5P			

$\triangle B$ Pin Assignments Front View

UNIT:mm		TITLE	XLOK, C-10A, CABLE W/SR F, M, MOLDING, PUSH LOCK
TOLERANCE	$\pm 0.5mm$	SCALE	1:1
		SIZE	A4
		SHEET	2 OF 2
		REV.	C
		QC-REV.	A.1
		QC	Inspection item

Amphenol LTW
安費諾亮泰企業股份有限公司

ITEM NO	DRAWN BY	DATE
	Wes Fan	2016-04-26
DWG NO	CHECKED BY	DATE
CB-XXAFMM-QR8DXX $\triangle B$	Spring Liu	2016-04-26
CUSTOMER	APPROVED BY	DATE
ALTW	Kevin Hu	2016-04-26