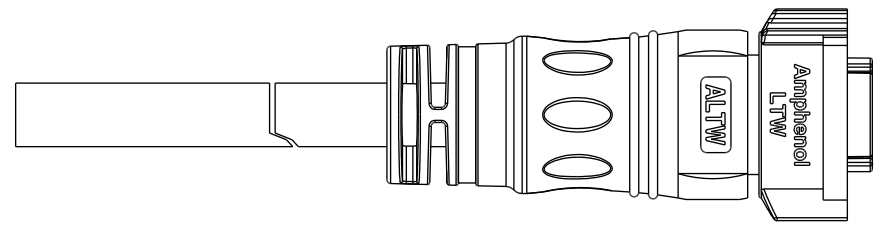
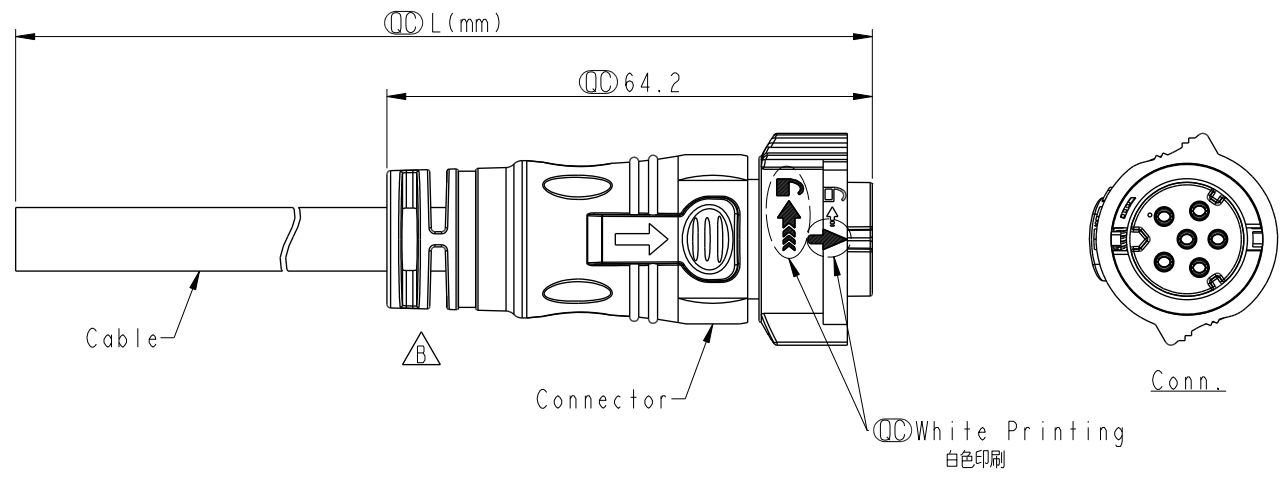


THIS DOCUMENT IS SUBJECT TO CHANGE WITHOUT NOTICE. IT IS CONFIDENTIAL AND A PROPERTY OF Amphenol LTW. DISCLOSURE TO THIRD PARTY HAS TO BE AUTHORIZED BY Amphenol LTW.

REV.	ECN NO.	DATE	SIGN	DESCRIPTION
B	LEN1720194	2017/02/20	Frank Deng	Change outer mold
C	C220553	2022/04/07	Vicky	$\triangle C$ X8
D	C230084	2023/01/30	Vicky	$\triangle D$ XI



- $\triangle C$ Note:
- * RoHS Compliant
 - * CC Important dimension
 - $\triangle D$ * Waterproof rate: IP68, mated 1m/24h
 - * Connector
 - Housing: Thermoplastic, Black
 - Pin: Copper alloy, Gold plated
 - O-Ring: Rubber, Gray
 - Nut: Thermoplastic, Black
 - Outer mold: Thermoplastic, Black
 - * Cable: UL21388, PVC Jacket, Black
 - * Cable length tolerance: 1M: +50/-0 mm
- | | |
|---------------|------------|
| 1M < L ≤ 3M | +100/-0 mm |
| 3M < L ≤ 5M | +150/-0 mm |
| 5M < L ≤ 10M | ±100 mm |
| 10M < L ≤ 20M | ±200 mm |
| 20M < L ≤ 30M | ±300 mm |
| 30M < L ≤ 99M | ±500 mm |

UNIT: mm		TITLE	$\triangle C$
TOLERANCE	$\pm 0.5\text{mm}$	XLOK, C-10A, CABLE W/SR F, F, MOLDING, PUSH LOCK	
SCALE	1:1	SIZE	A4
REV.	D	SHEET	1 OF 2
WC-REV.	A.4	CC	Inspection item

Amphenol LTW
安費諾亮泰企業股份有限公司

ITEM NO	DRAWN BY	DATE
DWG NO	Micky	2014-11-18
CUSTOMER	CHECKED BY	DATE
ALTW	Spring	2014-11-18
	APPROVED BY	DATE
	Kevin	2014-11-18

THIS DOCUMENT IS SUBJECT TO CHANGE WITHOUT NOTICE. IT IS CONFIDENTIAL AND A PROPERTY OF Amphenol LTW. DISCLOSURE TO THIRD PARTY HAS TO BE AUTHORIZED BY Amphenol LTW.

	6P	8.4	16	CB-06AFFM-QL8DXX
	5P	7.6		CB-05AFFM-QL8DXX
	4P	6.8		CB-04AFFM-QL8DXX
	Contacts	Cable OD	AWG	Item No.

CB-XXAFFM-QL8DXX

XX: No. Of Pin

XX: 01~99Meters
 01: 01Meter
 02: 02Meters
 ...
 99: 99Meters

Pin Out	4 Orange 橙	5 Yellow 黃	6 Green 綠
	3 Red 紅	4 Orange 橙	5 Yellow 黃
	2 Brown 棕	3 Red 紅	4 Orange 橙
	1 Black 黑	2 Brown 棕	3 Red 紅
		1 Black 黑	2 Brown 棕
			1 Black 黑
	Pin # Wire	Pin # Wire	Pin # Wire
Conn.			
	4P	5P	6P

Pin Assignments Front View

UNIT:mm		TITLE	XLOK, C-10A, CABLE W/SR F, F, MOLDING, PUSH LOCK
TOLERANCE	±0.5mm	SCALE	1:1
		SIZE	A4
		SHEET	2 OF 2
		REV.	D
		WC-REV.	A.4
			Inspection item

Amphenol LTW
 安費諾亮泰企業股份有限公司

ITEM NO	DRAWN BY	DATE
	Micky	2014-11-18
DWG NO	CHECKED BY	DATE
CB-XXAFFM-QL8DXX	Spring	2014-11-18
CUSTOMER	APPROVED BY	DATE
ALTW	Kevin	2014-11-18