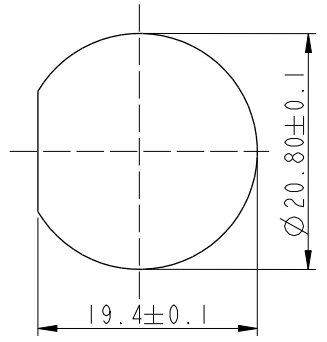


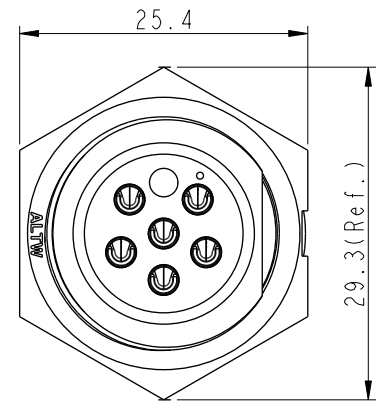
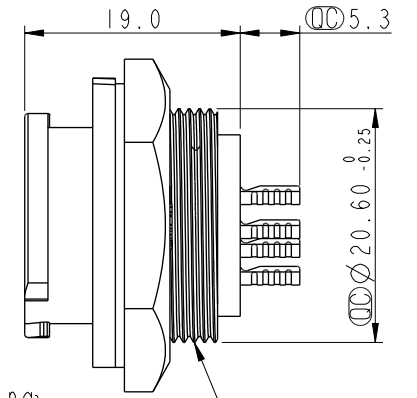
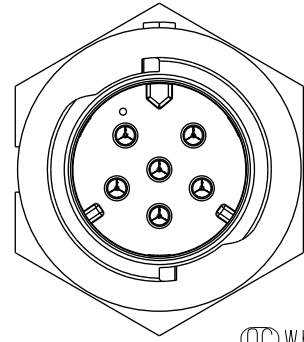
THIS DOCUMENT IS SUBJECT TO CHANGE WITHOUT NOTICE. IT IS CONFIDENTIAL AND A PROPERTY OF Amphenol LTW. DISCLOSURE TO THIRD PARTY HAS TO BE AUTHORIZED BY Amphenol LTW.

REV.	ECN NO.	DATE	SIGN	DESCRIPTION
B	C190470	2019/03/20	Vicky	Change Note
C	C220628	2022/05/09	Vicky	$\triangle C$ X4
D	C230084	2023/01/30	Vicky	$\triangle D$ XI

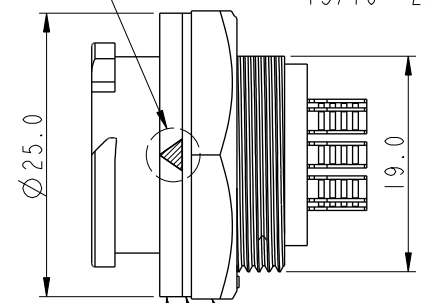
$\triangle C$  CB-XXRMMS-QC8001  
 XX: No. Of Pin



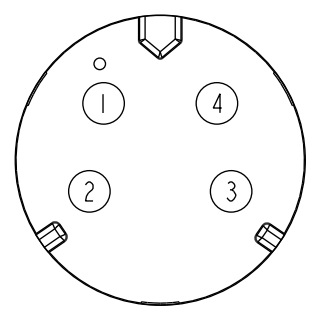
Recommended Panel Cut-Out



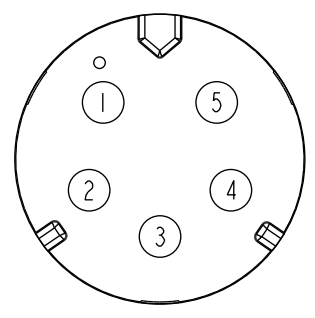
$\odot$  White Printing



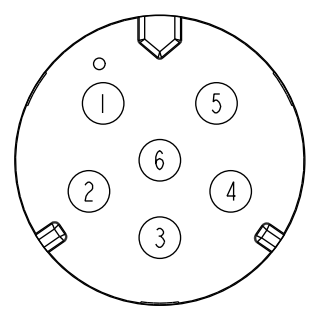
Nut  
 Gasket  
 Connector



4P



5P



6P

Pin Assignments Front View

$\triangle B$   $\triangle C$   
 Note:  
 \* RoHS Compliant  
 \*  $\odot$  Important dimension  
 \* Waterproof rate: IP68, unmated 1m/24h  
 \* Connector  
 Housing: Thermoplastic, Black  
 Pin: Copper Alloy, Gold plated  
 \* Nut: Thermoplastic, Black  
 \* Gasket: Rubber, Gray  
 \* For panel thickness max: 4.2mm  
 \* Gasket and nut are packed separately in pe bag

UNIT: mm		
TOLERANCE		
.X	±0.25	
.XX	±0.1	
.XXX	±0.05	
ANGLES	±1°	

TITLE XLOK, C-10A, REAR FASTENED M, M, SOLDER, PUSH LOCK $\triangle C$			
SCALE 3:2	SIZE A4	SHEET 1 OF 1	
REV. D	WC-REV. A.4	$\odot$ : Inspection item	

**Amphenol LTW**  
 安費諾亮泰企業股份有限公司

ITEM NO	DRAWN BY Vicky	DATE 2019-03-20
DWG NO $\triangle C$ CB-XXRMMS-QC8001	CHECKED BY Rita	DATE 2019-03-20
CUSTOMER ALTW	APPROVED BY Max	DATE 2019-03-20