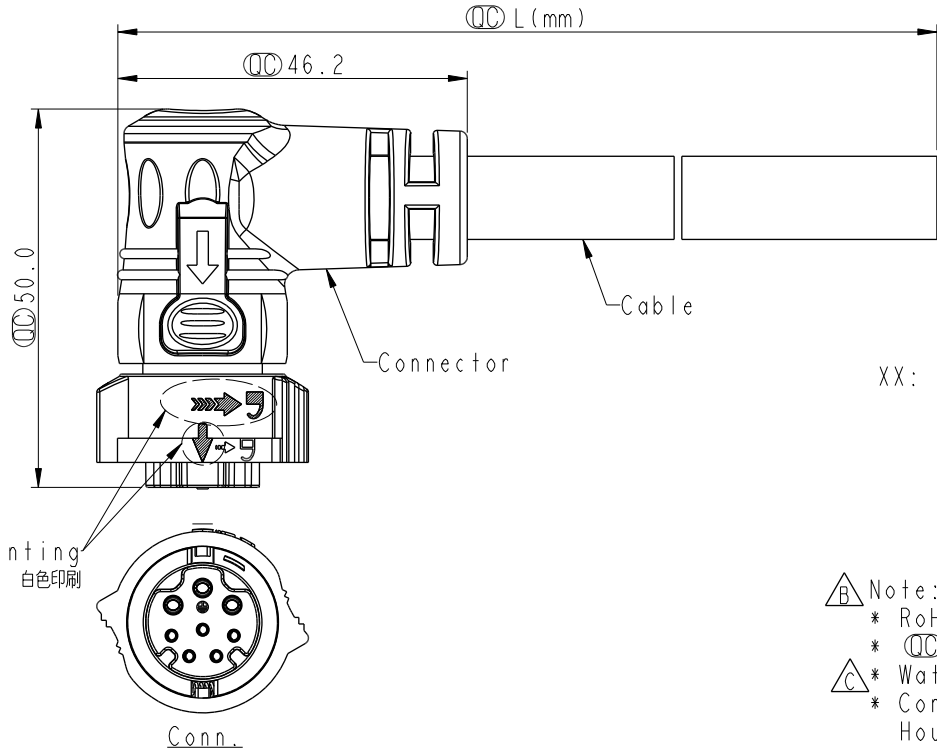


THIS DOCUMENT IS SUBJECT TO CHANGE WITHOUT NOTICE. IT IS CONFIDENTIAL AND A PROPERTY OF AMPHENOL LTW. DISCLOSURE TO THIRD PARTY HAS TO BE AUTHORIZED BY AMPHENOL LTW.

REV.	ECN NO.	DATE	SIGN	DESCRIPTION
A	Initial Release	2016/05/09	Spring	Change Rev.01 To Rev.A
B	C220629	2022/05/03	Vicky	$\triangle B$ X4
C	C230084	2023/01/30	Vicky	$\triangle C$ XI



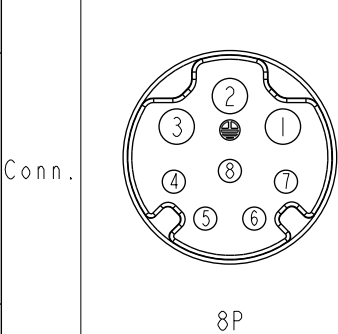
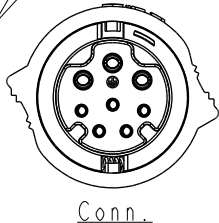
$\triangle B$   
CBD-XXAFFM-QR8FXX

XX: No. Of Pin

XX:01~99Meters  
01:01Meter  
02:02Meters  
:  
99:99Meters

- $\triangle B$  Note:
- \* RoHS Compliant
  - \*  $\odot$  Important dimension
  - $\triangle C$  \* Waterproof rate: IP68, mated 1m/24h
  - \* Connector
  - Housing: Thermoplastic, Black
  - Pin: Copper alloy, Gold plated
  - O-Ring: Rubber, Gray
  - Nut: Thermoplastic, Black
  - Outer mold: Thermoplastic, Black
  - \* Cable: UL21996 (26#\*2P+D+AL)+16#\*3C+F+AL, PVC Jacket, OD=11.0, Black
  - \* Cable length tolerance: 1M: +50/-0 mm
  - 1M < L ≤ 3M: +100/-0 mm
  - 3M < L ≤ 5M: +150/-0 mm
  - 5M < L ≤ 10M: ±100 mm
  - 10M < L ≤ 20M: ±200 mm
  - 20M < L ≤ 30M: ±300 mm
  - 30M < L ≤ 99M: ±500 mm

$\odot$  White Printing  
白色印刷



8	Drain (26AWG)	地線
7	Blue (26AWG)	藍
6	Red (26AWG)	紅
5	Green (26AWG)	綠
4	White (26AWG)	白
3	Black (16AWG)	黑
2	Green (16AWG)	綠
1	White (16AWG)	白
Conn.	Wire Color	

Twist  
對線

Twist  
對線

Pin Assignments Front View

Pin Out

UNIT:mm

TOLERANCE

±0.5mm

TITLE XLOK, C-10A+5A, CABLE W/SR F, F, MOLDING, PUSH LOCK $\triangle B$			
SCALE 1:1	SIZE A4	SHEET 1 OF 1	
REV. C	WC-REV. A.1	$\odot$ : Inspection item	

**Amphenol LTW**  
安費諾亮泰企業股份有限公司

ITEM NO	DRAWN BY Spring	DATE 2016-05-09
DWG NO $\triangle B$ CBD-XXAFFM-QR8FXX	CHECKED BY Fisher	DATE 2016-05-09
CUSTOMER ALTW	APPROVED BY Kevin	DATE 2016-05-09