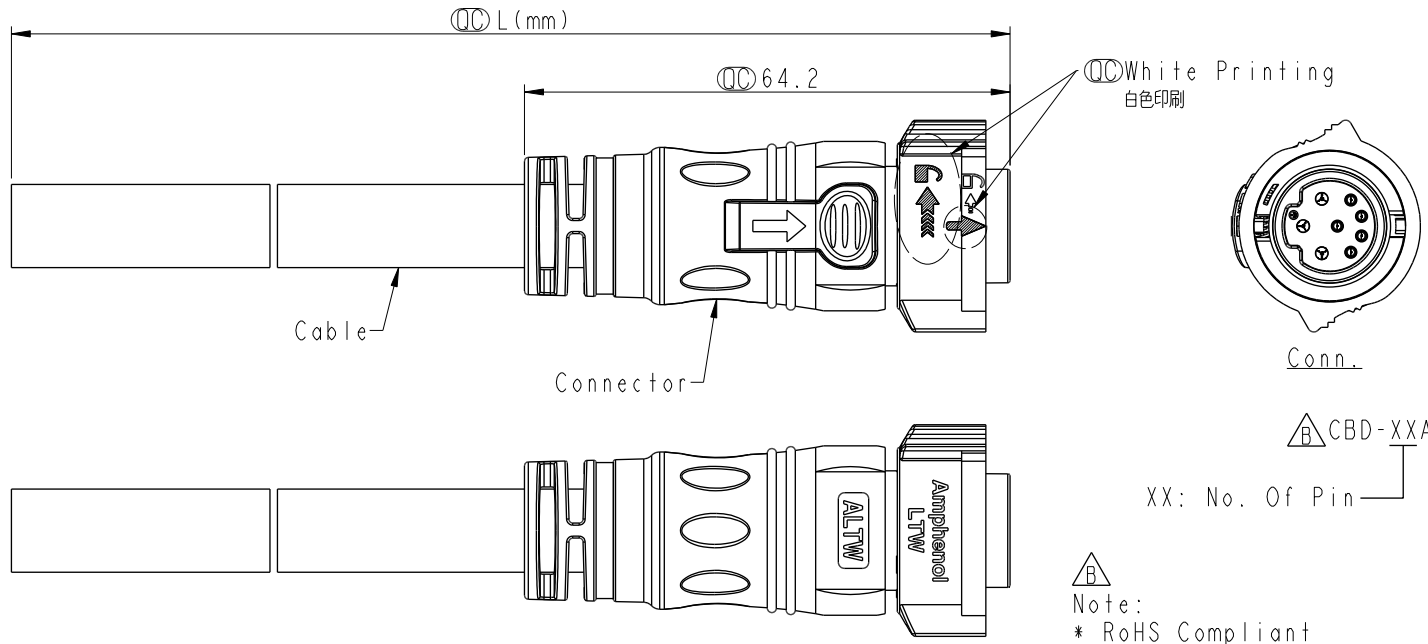


THIS DOCUMENT IS SUBJECT TO CHANGE WITHOUT NOTICE. IT IS CONFIDENTIAL AND A PROPERTY OF Amphenol LTW. DISCLOSURE TO THIRD PARTY HAS TO BE AUTHORIZED BY Amphenol LTW.

REV.	ECN NO.	DATE	SIGN	DESCRIPTION
A	Initial Release	2016/05/09	Spring	Change Rev.01 To Rev.A
B	C220629	2022/05/03	Vicky	△B X4
C	C230084	2023/01/30	Vicky	△C X1



△B CBD-XXAFMM-QL8FXX  
 XX: No. Of Pin  
 XX: 01~99Meters  
 01: 01Meter  
 02: 02Meters  
 :  
 99: 99Meters

- Note:
- \* RoHS Compliant
  - \* Ⓞ Important dimension
  - \* Waterproof rate: IP68, mated 1m/24h
  - \* Connector Housing: Thermoplastic, Black  
 Pin: Copper alloy, Gold plated  
 O-Ring: Rubber, Gray  
 Nut: Thermoplastic, Black  
 Outer mold: Thermoplastic, Black
  - \* Cable: UL21996 (26#\*2P+D+AL)+16#\*3C+F+AL, PVC Jacket, OD=11.0, Black
  - \* Cable length tolerance: 1M: +50/-0 mm  
 1M < L ≤ 3M: +100/-0 mm  
 3M < L ≤ 5M: +150/-0 mm  
 5M < L ≤ 10M: ±100 mm  
 10M < L ≤ 20M: ±200 mm  
 20M < L ≤ 30M: ±300 mm  
 30M < L ≤ 99M: ±500 mm

8P Conn.	Pin	Wire Color	Wire Color	Twist
8	Drain (26AWG)	地線		
7	Blue (26AWG)	藍		Twist
6	Red (26AWG)	紅		對線
5	Green (26AWG)	綠		Twist
4	White (26AWG)	白		對線
3	Black (16AWG)	黑		
2	Green (16AWG)	綠		
1	White (16AWG)	白		
Conn.	Wire Color			

UNIT:mm		TITLE	XLOK, C-10A+5A, CABLE W/SR F, M, MOLDING, PUSH LOCK		
TOLERANCE	±0.5mm	SCALE	1:1	SIZE	A4
		REV.	C	WC-REV.	A.1
				QC	Inspection item

<b>Amphenol LTW</b>		ITEM NO	DRAWN BY	DATE
安費諾亮泰企業股份有限公司		CBD-XXAFMM-QL8FXX	Spring	2016-05-09
		CUSTOMER	CHECKED BY	DATE
		ALTW	Fisher	2016-05-09
			APPROVED BY	DATE
			Kevin	2016-05-09