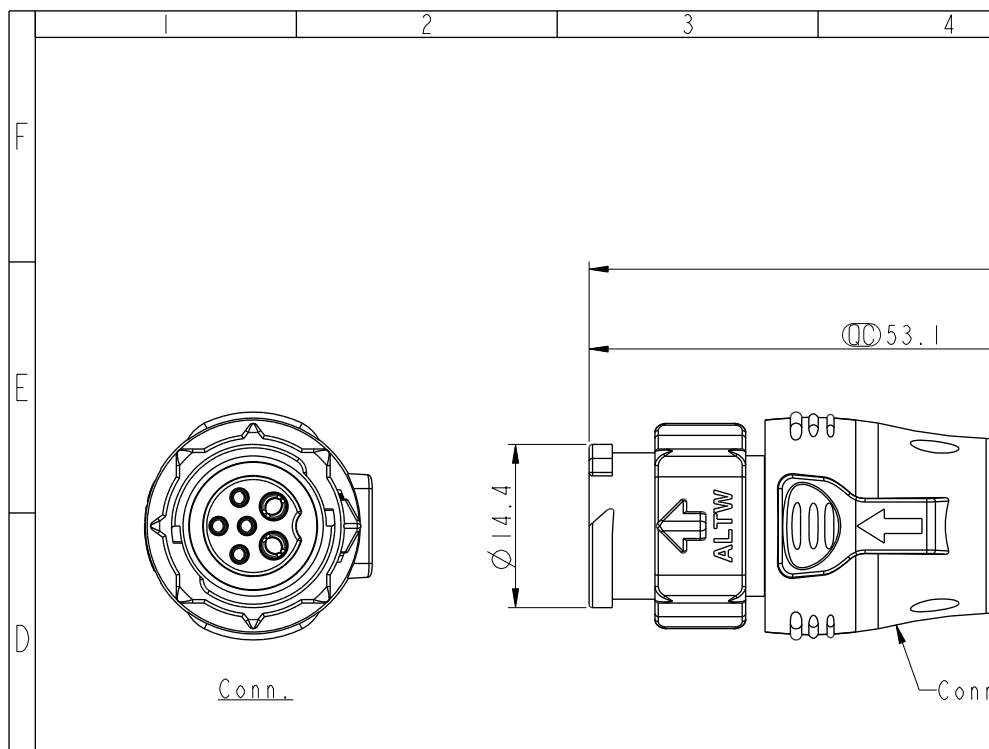
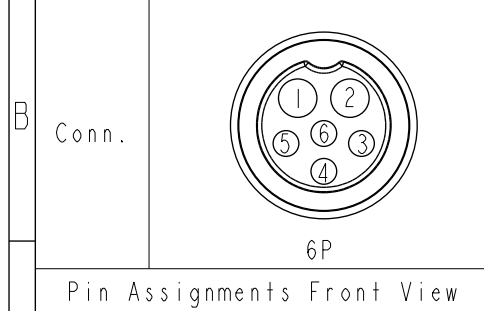


THIS DOCUMENT IS SUBJECT TO CHANGE WITHOUT NOTICE. IT IS CONFIDENTIAL AND A PROPERTY OF Amphenol LTW. DISCLOSURE TO THIRD PARTY HAS TO BE AUTHORIZED BY Amphenol LTW.

REV.	ECN NO.	DATE	SIGN	DESCRIPTION
B	C220637	2022/04/27	Ruru	$\triangle B$ X5
C	C221777	2022/11/14	Vicky	$\triangle C$ X1
D	C230120	2023/02/03	Ruru	$\triangle D$ X1



Pin Out	Color	Gauge	Notes
6	Blue	(26AWG)	藍紅 綠白 黑白
5	Red	(26AWG)	
4	Green	(26AWG)	Twist
3	White	(26AWG)	Twist
2	Black	(16AWG)	
1	White	(16AWG)	



$\triangle B$
BBD-XXAMFM-QL8FXX
XX: No. Of Pin
 XX: 01~99Meters
 01: 01Meter
 02: 02Meters
 ...
 99: 99Meters

Note: $\triangle B$
 * RoHS Compliant
 * CC Important dimension
 * $\triangle A$ Waterproof rate: IP68, mated 1m/24h
 * Connector
 Housing: Thermoplastic, Black
 Pin: Copper Alloy, Gold Plated
 Outer mold: Thermoplastic, Black
 * Cable: UL21996 16AWG*2C+(26AWG*2P+AL/MY)
 +F+AL/MY, OD=9.3mm, PVC Jacket, Black
 * Cable length tolerance: 1M: +50/-0 mm
 1M < L ≤ 3M: +100/-0 mm
 3M < L ≤ 5M: +150/-0 mm
 5M < L ≤ 10M: ±100 mm
 10M < L ≤ 20M: ±200 mm
 20M < L ≤ 30M: ±300 mm
 30M < L ≤ 99M: ±500 mm

A	UNIT:mm		TITLE	XLOK, B-10A+5A, CABLE W/SR M, F, MOLDING, PUSH LOCK $\triangle B$		ITEM NO	DRAWN BY	DATE	
	TOLERANCE	±0.5 mm	SCALE	3:2	SIZE	A4	SHEET	1 OF 1	
	REV.	D	WC-REV.	A.1	CC	Inspection item	CUSTOMER	ALTW	
				Amphenol LTW 安費諾亮泰企業股份有限公司		DWG NO	BBD-XXAMFM-QL8FXX $\triangle B$	CHECKED BY	Fisher
						APPROVED BY	Kevin	DATE	2016-05-07