

THIS DOCUMENT IS SUBJECT TO CHANGE WITHOUT NOTICE. IT IS CONFIDENTIAL AND A PROPERTY OF AMPHENOL LTW. DISCLOSURE TO THIRD PARTY HAS TO BE AUTHORIZED BY AMPHENOL LTW.

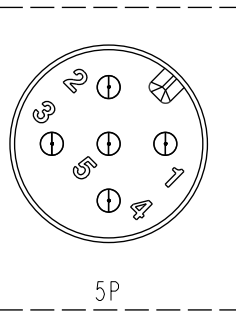
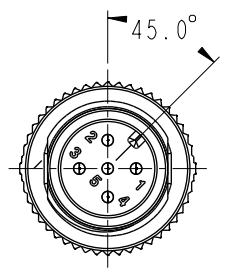
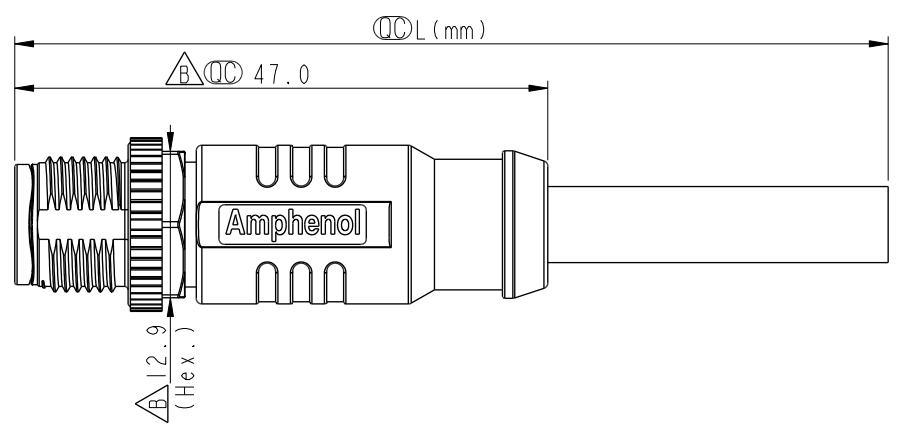
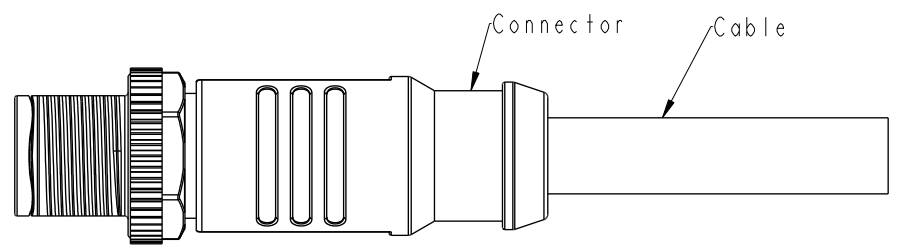
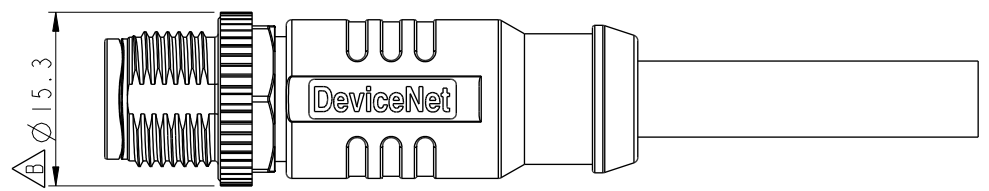
REV.	ECN NO.	DATE	SIGN	DESCRIPTION
A		2022/12/14	Jiahe Lin	Rev.01 To Rev.A
B	C240634	2024/06/05	Jiahe Lin	$\triangle B$ *4

MSAS-XXBMMM-SL8JXX

XX: No. Of Pin

XX: 01~99Meters  
 01: 01Meter  
 02: 02Meters  
 .  
 99: 99Meters

- Note:
- \* RoHS Compliant
  - \*  $\text{\textcircled{C}}$  Important dimension
  - \* Waterproof rate: IP68, mated 1m/24h, IP69K mated
  - \* Connector
    - Housing: Thermoplastic, Black
    - Pin: Copper alloy, Gold plated
    - Nut: Metal
    - Outer mold: Thermoplastic, Black
  - \* Cable: UL20549, 24#\*1P+22#\*1P+AL/MY+B+D  
 OD=6.7mm, TPU Jacket, Purple
  - \* Cable length tolerance: 1M: +50/-0 mm
    - 1M < L  $\leq$  3M: +100/-0 mm
    - 3M < L  $\leq$  5M: +150/-0 mm
    - 5M < L  $\leq$  10M:  $\pm$ 100 mm
    - 10M < L  $\leq$  20M:  $\pm$ 200 mm
    - 20M < L  $\leq$  30M:  $\pm$ 300 mm
    - 30M < L  $\leq$  99M:  $\pm$ 500 mm



Shield	Braid	編織	$\triangle B$
5	Blue	藍	
4	White	白	Twist
3	Black	黑	
2	Red	紅	Twist
1	Drain	地線	
Connector	Wire Color		
Pin Out			

Pin Assignments Front View

UNIT:mm	$\text{\textcircled{C}}$	$\text{\textcircled{C}}$
TOLERANCE		
±0.5mm		

TITLE N SEN, M12 A -SHLD, SCREW CABLE W/O SR, M, M, MOLDING			
SCALE 3:2	SIZE A4	SHEET 1 OF 1	
REV. B	WC-REV. A.2	$\text{\textcircled{C}}$ : Inspection item	

**Amphenol LTW**  
 安費諾亮泰企業股份有限公司

ITEM NO	DRAWN BY Jiahe Lin	DATE 2024/06/05
DWG NO MSAS-XXBMMM-SL8JXX	CHECKED BY Aric Ko	DATE 2024/06/05
CUSTOMER ALTW	APPROVED BY Fred Lee	DATE 2024/06/05