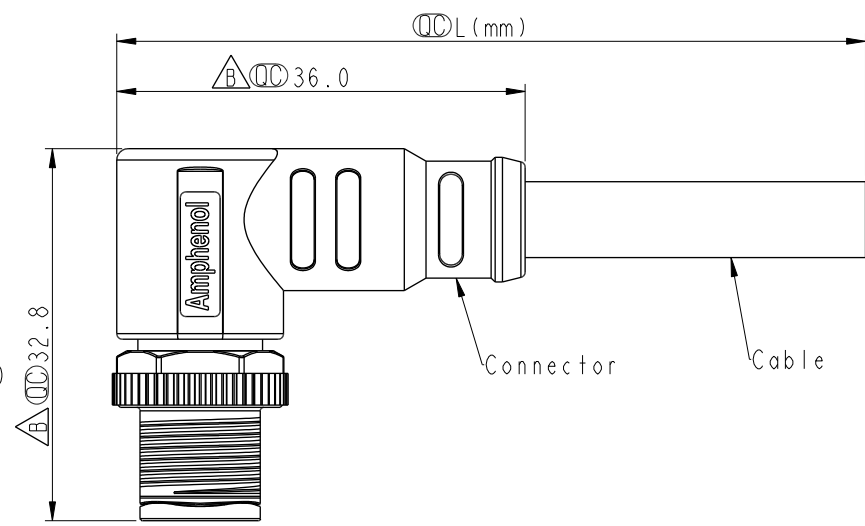
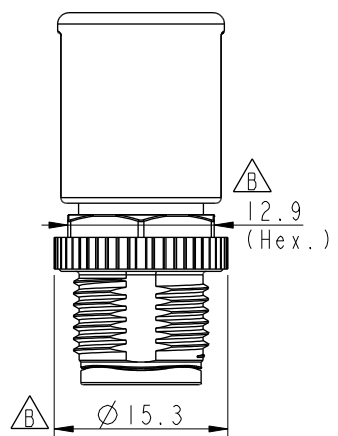
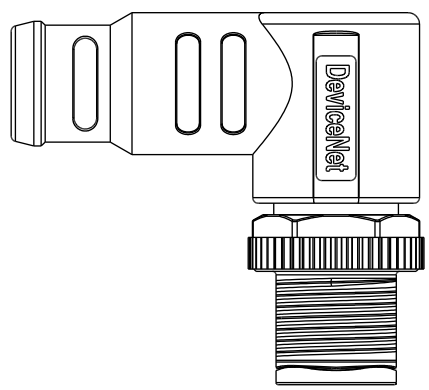


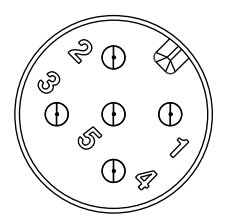
THIS DOCUMENT IS SUBJECT TO CHANGE WITHOUT NOTICE. IT IS CONFIDENTIAL AND A PROPERTY OF Amphenol LTW. DISCLOSURE TO THIRD PARTY HAS TO BE AUTHORIZED BY Amphenol LTW.

REV.	ECN NO.	DATE	SIGN	DESCRIPTION
A		2022/12/14	Jiahe Lin	Rev.01 To Rev.A
B	C240634	2024/06/05	Jiahe Lin	△B *5

MSAS-XXBMMM-SR8JXX  
 XX: No. Of Pin  
 XX: 01~99Meters  
 01: 01Meter  
 02: 02Meters  
 ...  
 99: 99Meters



Note:  
 \* RoHS Compliant  
 \* Ⓞ Important dimension  
 \* Waterproof rate: IP68, mated 1m/24h, IP69K mated  
 \* Connector  
 Housing: Thermoplastic, Black  
 Pin: Copper alloy, Gold plated  
 Nut: Metal  
 Outer mold: Thermoplastic, Black  
 \* Cable: UL20549, 24#\*1P+22#\*1P+AL/MY+B+D  
 OD=6.7mm, TPU Jacket, Purple  
 \* Cable length tolerance: 1M: +50/-0 mm  
 1M < L ≤ 3M: +100/-0 mm  
 3M < L ≤ 5M: +150/-0 mm  
 5M < L ≤ 10M: ±100 mm  
 10M < L ≤ 20M: ±200 mm  
 20M < L ≤ 30M: ±300 mm  
 30M < L ≤ 99M: ±500 mm



Shield	Braid	編織	
5	Blue	藍	Twist
4	White	白	
3	Black	黑	Twist
2	Red	紅	
1	Drain	地線	
Connector	Wire Color		
Pin Out			

UNIT:mm  
 TOLERANCE  
 ±0.5mm

TITLE N SEN, M12 A -SHLD, SCREW CABLE W/O SR, M, M, MOLDING			
SCALE 3:2	SIZE A4	SHEET 1 OF 1	
REV. B	WC-REV. A.2	Ⓞ: Inspection item	

**Amphenol LTW**  
 安費諾亮泰企業股份有限公司

ITEM NO	DRAWN BY Jiahe Lin	DATE 2024/06/05
DWG NO MSAS-XXBMMM-SR8JXX	CHECKED BY Aric Ko	DATE 2024/06/05
CUSTOMER ALTW	APPROVED BY Fred Lee	DATE 2024/06/05