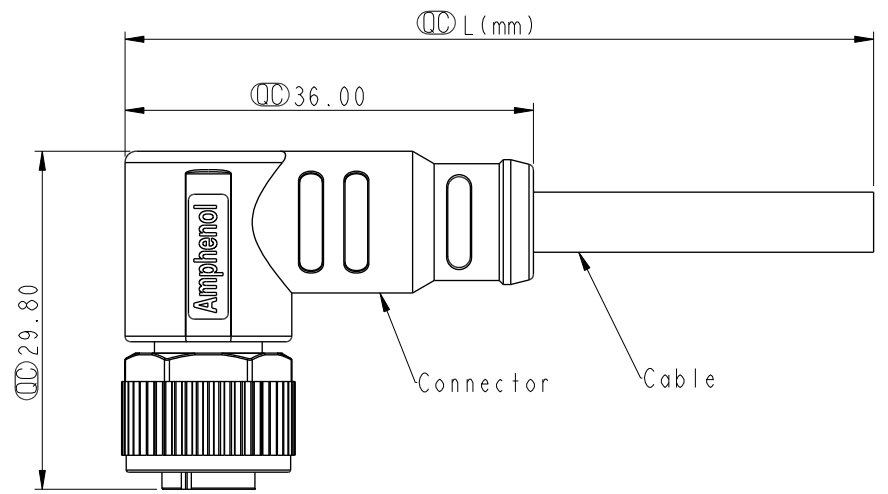
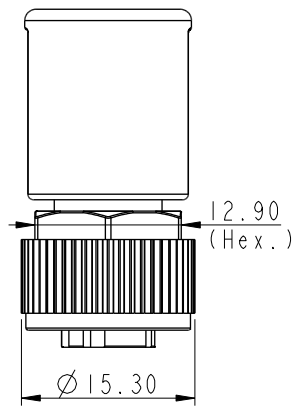
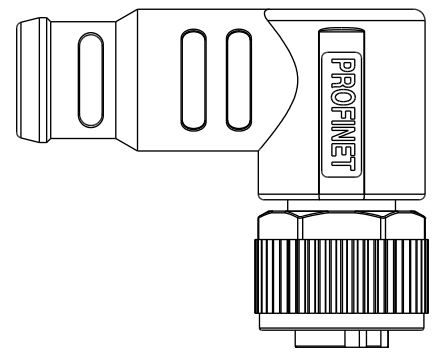
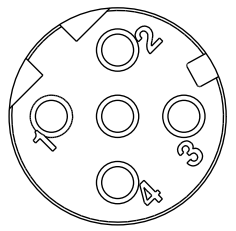


REV.	ECN NO.	DATE	SIGN	DESCRIPTION
A		2022-12-14	Jiahe Lin	Rev.01 To Rev.A

MSDS-XXBFFM-SR8LXX  
 XX: No. Of Pin  
 XX: 01~99Meters  
 01: 01Meter  
 02: 02Meters  
 .  
 99: 99Meters

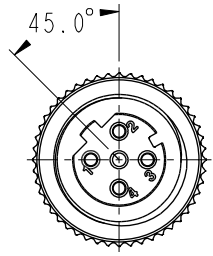


Note:  
 \* RoHS Compliant  
 \*  $\varnothing$  Important dimension  
 \* Waterproof rate: IP68, mated 1m/24h, IP69K mated  
 \* Connector  
 Housing: Thermoplastic, Black  
 Pin: Copper alloy, Gold plated  
 O-Ring: Rubber, Gray  
 Nut: Metal  
 Outer mold: Thermoplastic, Black  
 \* Cable: UL20549, CAT-5E, 22#\*4C+AL/MY+B+F,  
 OD=6.5mm, TPU Jacket, Green  
 \* Cable length tolerance: 1M: +50/-0 mm  
 1M < L ≤ 3M: +100/-0 mm  
 3M < L ≤ 5M: +150/-0 mm  
 5M < L ≤ 10M: ±100 mm  
 10M < L ≤ 20M: ±200 mm  
 20M < L ≤ 30M: ±300 mm  
 30M < L ≤ 99M: ±500 mm



Shield	Braid	編織
4	Blue	藍
3	Orange	橘
2	White	白
1	Yellow	黃
Connector	Wire Color	

Pin Out



UNIT:mm  
 TOLERANCE  
 ±0.5mm

TITLE N SEN, M12 D -SHLD, SCREW CABLE W/O SR, F, F, MOLDING			
SCALE 3:2	SIZE A4	SHEET 1 OF 1	
REV. A	WC-REV. A.2	$\varnothing$ : Inspection item	

**Amphenol LTW**  
 安費諾亮泰企業股份有限公司

ITEM NO.	DRAWN BY Jiahe Lin	DATE 2022-12-14
DWG NO. MSDS-XXBFFM-SR8LXX	CHECKED BY Allen Pan	DATE 2022-12-14
CUSTOMER ALTW	APPROVED BY Fred Lee	DATE 2022-12-14

THIS DOCUMENT IS SUBJECT TO CHANGE WITHOUT NOTICE. IT IS CONFIDENTIAL AND A PROPERTY OF Amphenol LTW. DISCLOSURE TO THIRD PARTY HAS TO BE AUTHORIZED BY Amphenol LTW.