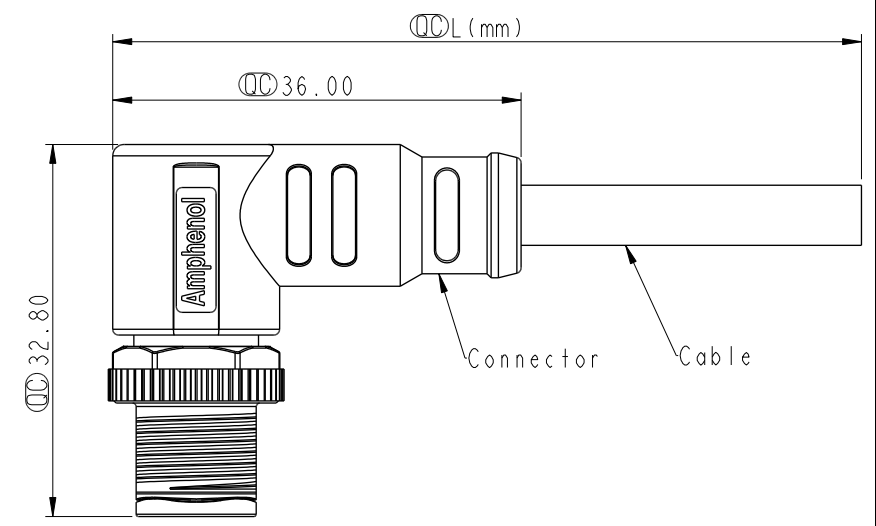
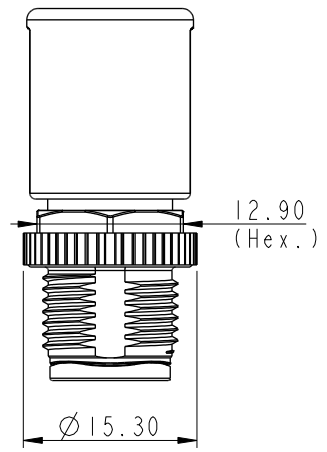
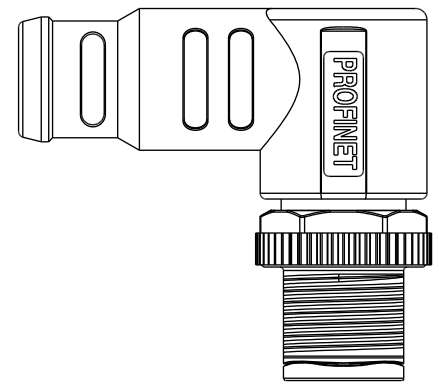


THIS DOCUMENT IS SUBJECT TO CHANGE WITHOUT NOTICE. IT IS CONFIDENTIAL AND A PROPERTY OF Amphenol LTW. DISCLOSURE TO THIRD PARTY HAS TO BE AUTHORIZED BY Amphenol LTW.

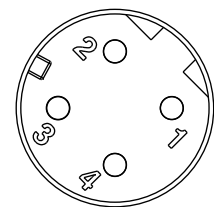
REV.	ECN NO.	DATE	SIGN	DESCRIPTION
A		2022-12-14	Jiahe Lin	Rev.01 To Rev.A

MSDS-XXBMMM-SR8LXX

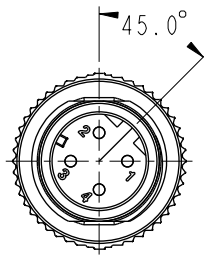
XX: No. Of Pin
 XX: 01~99Meters
 01: 01Meter
 02: 02Meters
 ...
 99: 99Meters



Note:
 * RoHS Compliant
 * ⌀ Important dimension
 * Waterproof rate: IP68, mated 1m/24h, IP69K mated
 * Connector
 Housing: Thermoplastic, Black
 Pin: Copper alloy, Gold plated
 Nut: Metal
 Outer mold: Thermoplastic, Black
 * Cable: UL20549, CAT-5E, 22#*4C+AL/MY+B+F,
 OD=6.5mm, TPU Jacket, Green
 * Cable length tolerance: 1M: +50/-0 mm
 1M < L ≤ 3M: +100/-0 mm
 3M < L ≤ 5M: +150/-0 mm
 5M < L ≤ 10M: ±100 mm
 10M < L ≤ 20M: ±200 mm
 20M < L ≤ 30M: ±300 mm
 30M < L ≤ 99M: ±500 mm



Shield	Braid	編織
4	Blue	藍
3	Orange	橘
2	White	白
1	Yellow	黃
Connector	Wire Color	Pin Out



UNIT:mm
 TOLERANCE
 ±0.5mm

TITLE N SEN, M12 D -SHLD, SCREW CABLE W/O SR, M, M, MOLDING			
SCALE 3:2	SIZE A4	SHEET 1 OF 1	
REV. A	WC-REV. A.2	⌀: Inspection item	

Amphenol LTW
 安費諾亮泰企業股份有限公司

ITEM NO	DRAWN BY Jiahe Lin	DATE 2022-11-25
DWG NO MSDS-XXBMMM-SR8LXX	CHECKED BY Allen Pan	DATE 2022-11-25
CUSTOMER ALTW	APPROVED BY Fred Lee	DATE 2022-11-25