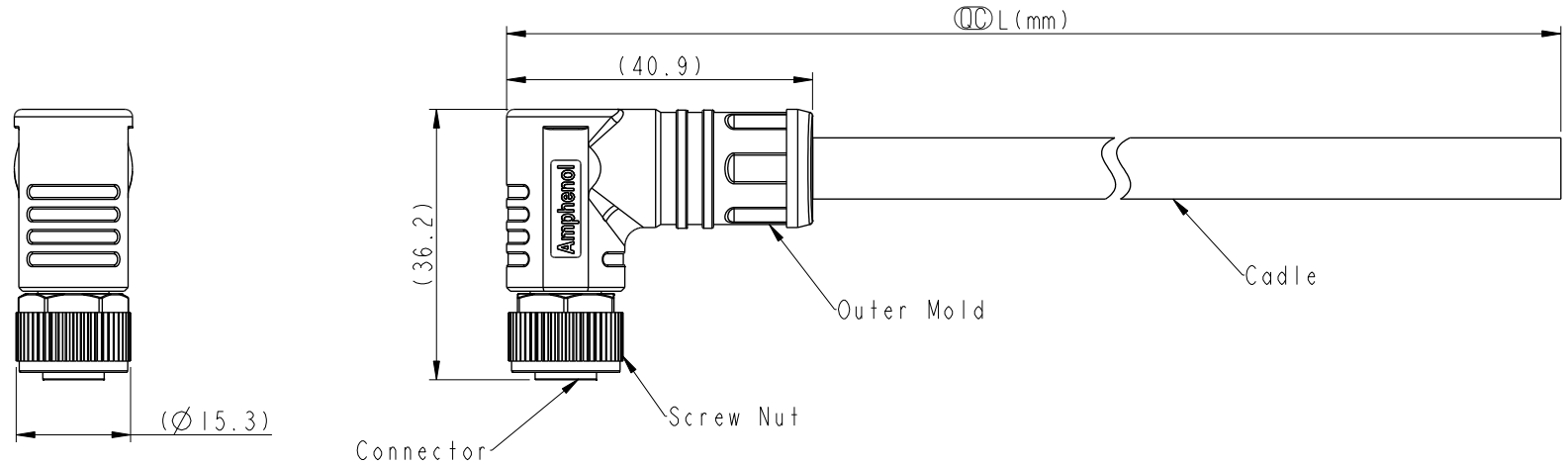


THIS DOCUMENT IS SUBJECT TO CHANGE WITHOUT NOTICE. IT IS CONFIDENTIAL AND A PROPERTY OF Amphenol LTW. DISCLOSURE TO THIRD PARTY HAS TO BE AUTHORIZED BY Amphenol LTW.

1		2		3		4		5		6		7		8	
4P		8.5		MSSP-04BFFM-SR8SXX		REV.		ECN NO.		DATE		SIGN		DESCRIPTION	
3P		7.8		MSSP-03BFFM-SR8SXX		B		C211619		2021/12/16		Li Dai		△B X1	
No. of Contact		Cable OD(mm)		Item No.		C		C221810		2022/12/07		Li Dai		△C X4	
		△B		△C		D		C221992		2022/12/23		Ruru		△D X2	



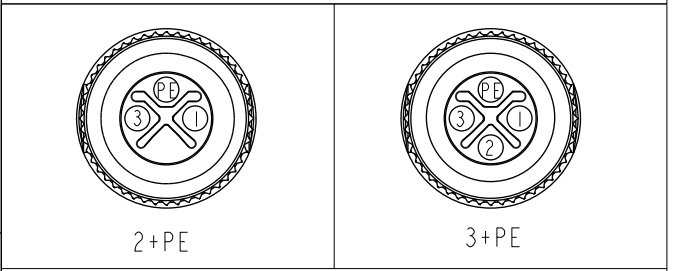
PE	Yellow/Green	黃/綠	PE	Yellow/Green	黃/綠
3	Blue	藍	3	Blue	藍
1	Brown	棕	2	White	白
1	Brown	棕	1	Brown	棕
Pin #	Wire		Pin #	Wire	

MSSP-XXBFFM-SR8SXX △C

XX: 01~99 Meters
 01: 01 Meter
 02: 02 Meters
 .
 .
 .
 99: 99 Meters

No. of Pin

- Notes:
- * (⊕) Important Dimension to Check.
 - △* Waterproof rate: IP68, mated 1m/24h
IP69K, mated
 - * Connector: Thermoplastic, Black.
 - * Female Pin: Copper Alloy, Gold Plated.
 - * Screw Nut: Thermoplastic, Black
 - △* Cable UL20234, 16AWG, TPU Jacket, Black.
 - * Cable Length Tolerance: 01M: +50/-0mm
 >02M~03M: +100/-0mm
 >03M~05M: +150/-0mm
 >05M~10M: ±100mm
 >10M~20M: ±200mm
 >20M~30M: ±300mm
 >30M~99M: ±500mm



Pin Assignments Front View

UNIT:mm		TOLERANCE		±0.5mm		TITLE		N SEN, M12 S -PLASTIC, SCREW CABLE W/O SR, F, F, MOLDING △D		Amphenol LTW		ITEM NO		DRAWN BY		DATE											
						SCALE		1:1		SIZE		A4		SHEET		1		OF		1		MSSP-XXBFFM-SR8SXX		Li Dai		2021-10-04	
						REV.		D		WC-REV.		.0		⊕: Inspection item		CUSTOMER		ALTW		APPROVED BY		Fisher Wang		Max Yang		2021-10-04	
																										2021-10-04	