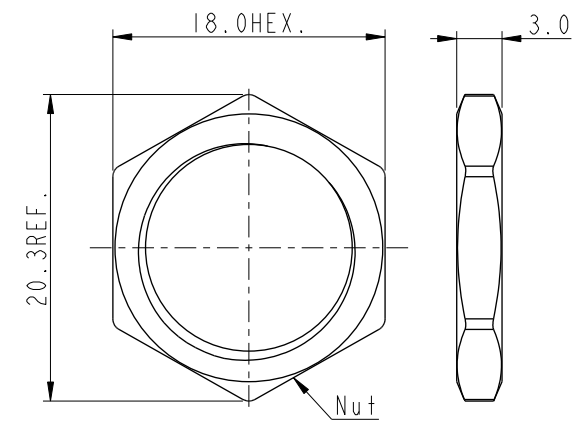
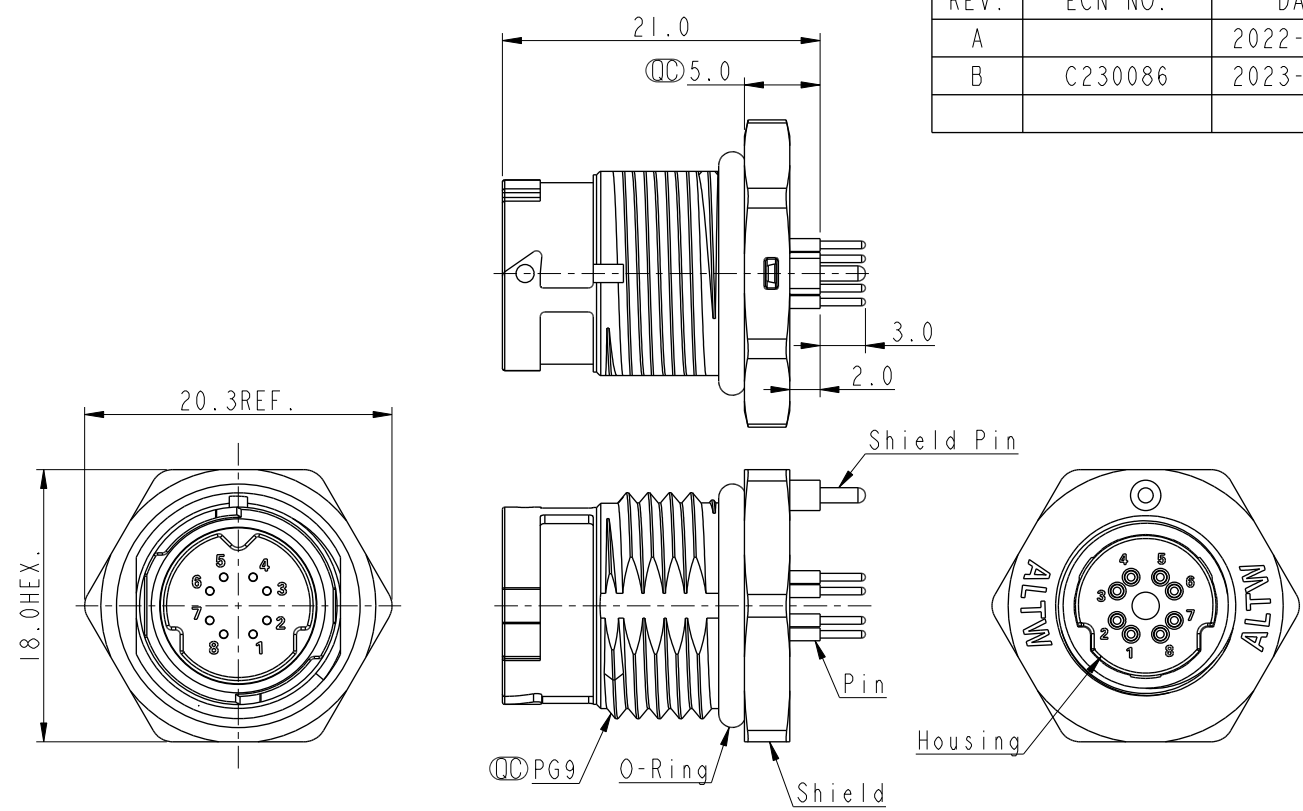
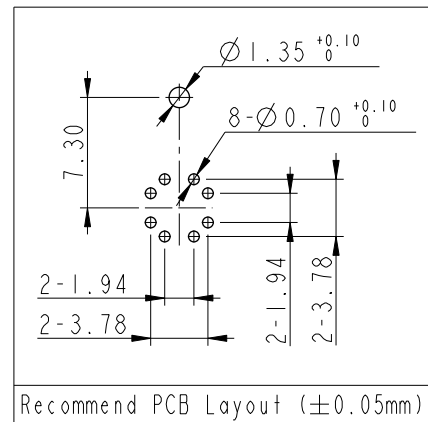
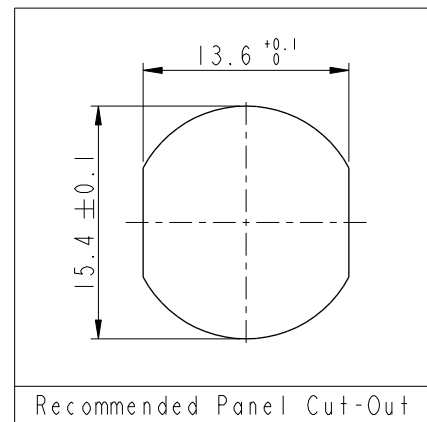


THIS DOCUMENT IS SUBJECT TO CHANGE WITHOUT NOTICE. IT IS CONFIDENTIAL AND A PROPERTY OF AMPHENOL LTW. DISCLOSURE TO THIRD PARTY HAS TO BE AUTHORIZED BY AMPHENOL LTW.

REV.	ECN NO.	DATE	SIGN	DESCRIPTION
A		2022-08-05	Sam Ho	Rev.01 to A, Initial Released
B	C230086	2023-01-31	Ruru	$\triangle B$ X2



- Note:
- * RoHS Compliant
 - * $\text{\textcircled{C}}$ Important dimension
 - $\triangle B$ * Waterproof rate: IP68, unmated 1m/24h
 - * Housing: Thermoplastic, Black
 - * Pin: Copper Alloy, Gold plated
 - * Shield Pin: Copper Alloy, Tin plated
 - * Shield: Metal
 - * Nut: Metal
 - * O-Ring: Rubber, Black
 - * For panel thickness max: 4.5mm
 - * Recommend PCB thickness max: 2.0mm
 - * Nut is packed separately in pe bag
- ASY-AXXPMPM-QC8001
- XX: No. Of Pin



UNIT: mm	$\text{\textcircled{C}}$	$\text{\textcircled{C}}$	TITLE XLOK, A SHLD-0.5A, AXXP, FRONT FASTENED M, M, PCB S, PUSH LOCK	
TOLERANCE $\pm 0.50\text{mm}$		SCALE 2:1	SIZE A4	SHEET 1 OF 1
REV. B	WC-REV.	$\text{\textcircled{C}}$: Inspection item		

Amphenol LTW
安費諾亮泰企業股份有限公司

ITEM NO.	DRAWN BY Sam Ho	DATE 2022-08-05
DWG NO. ASY-AXXPMPM-QC8001	CHECKED BY Fred Lee	DATE 2022-08-05
CUSTOMER ALTW	APPROVED BY Fred Lee	DATE 2022-08-05