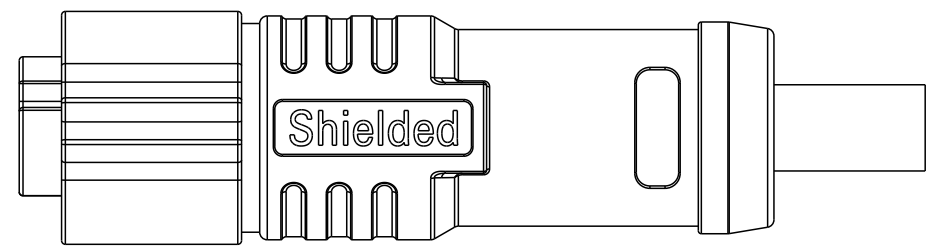
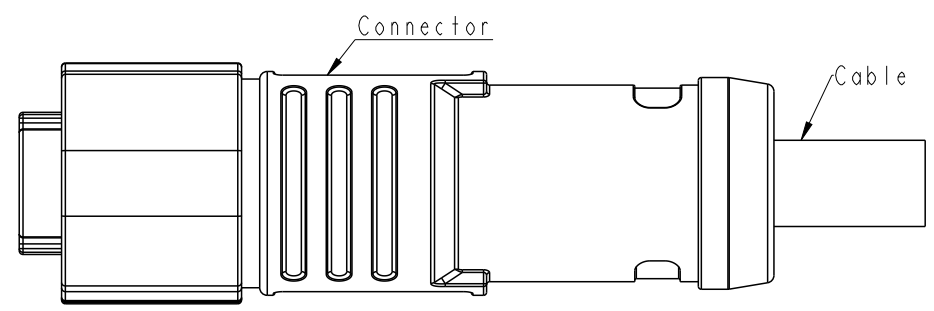
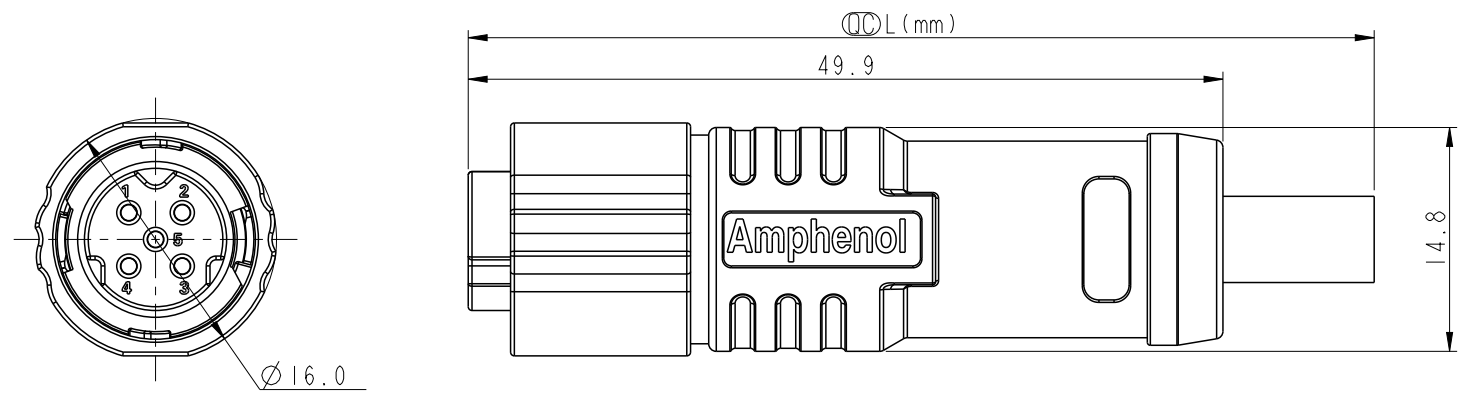


THIS DOCUMENT IS SUBJECT TO CHANGE WITHOUT NOTICE. IT IS CONFIDENTIAL AND A PROPERTY OF Amphenol LTW. DISCLOSURE TO THIRD PARTY HAS TO BE AUTHORIZED BY Amphenol LTW.

REV.	ECN NO.	DATE	SIGN	DESCRIPTION
B	C221610	2022-11-21	Allen Pan	$\triangle B$ x3
C	C230091	2023-02-02	Ruru	$\triangle C$ x2
D	C240763	2024-07-16	Sam Ho	$\triangle D$ x2



- Note:
- \* RoHS Compliant
  - \*  $\circ$  Important dimension
  - $\triangle C$  \* Waterproof rate: IP68, mated 1m/24h
  - \* Connector  
Housing: Thermoplastic, Black  
Pin: Copper alloy, Gold plated  
Shield: Metal  
Nut: Metal
  - Outer mold: Thermoplastic, Black
  - \* Cable: UL2517, PVC Jacket, Black
  - \* Cable length tolerance:  
 1M: +50/-0 mm  
 1M < L ≤ 3M: +100/-0 mm  
 3M < L ≤ 5M: +150/-0 mm  
 5M < L ≤ 10M: ±100 mm  
 10M < L ≤ 20M: ±200 mm  
 20M < L ≤ 30M: ±300 mm  
 30M < L ≤ 99M: ±500 mm

UNIT: mm	$\oplus$	$\nabla$
TOLERANCE	$\pm 0.50$ mm	

TITLE XLOK, A SHLD-5A, CABLE W/O SR F, F, MOLDING, PUSH LOCK $\triangle C$		
SCALE 2:1	SIZE A4	SHEET 1 OF 2
REV. D	WC-REV.	$\circ$ : Inspection item

**Amphenol LTW**  
安費諾亮泰企業股份有限公司

ITEM NO.	DRAWN BY Sam Ho	DATE 2024-07-16
DWG NO. ASD-XXBFFM-QL8CXX	CHECKED BY Aric Ko	DATE 2024-07-16
CUSTOMER ALTW	APPROVED BY Fred Lee	DATE 2024-07-16

THIS DOCUMENT IS SUBJECT TO CHANGE WITHOUT NOTICE. IT IS CONFIDENTIAL AND A PROPERTY OF Amphenol LTW. DISCLOSURE TO THIRD PARTY HAS TO BE AUTHORIZED BY Amphenol LTW.

1 2 3 4 5 6 7 8



5P	6.5	20	ASD-05BFFM-QL8CXX
4P	6.0	20	ASD-04BFFM-QL8CXX
Contacts	Cable OD	AWG	Item No.

ASD-XXBFFM-QL8CXX

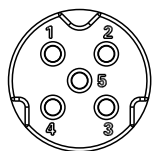
XX: L=0~99Meters  
 01: L=1Meters  
 02: L=2Meters  
 :  
 99: L=99Meters

XX: No. Of Pin

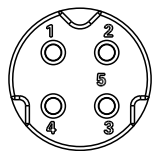


Shield Braid	編織	Shield Braid	編織
5	Yellow	5	--
4	Orange	4	Black
3	Red	3	Blue
2	Brown	2	White
1	Black	1	Brown

Pin #	Wire	Pin #	Wire
-------	------	-------	------



5P



4P

Pin Assignments Front View

UNIT:mm

TOLERANCE

±0.50mm

TITLE XLOK, A SHLD-5A, CABLE W/O SR F, F, MOLDING, PUSH LOCK			
SCALE 2:1	SIZE A4	SHEET 2 OF 2	
REV. D	WC-REV.	: Inspection item	

**Amphenol LTW**  
 安費諾亮泰企業股份有限公司

ITEM NO	DRAWN BY Sam Ho	DATE 2024-07-16
DWG NO ASD-XXBFFM-QL8CXX	CHECKED BY Aric Ko	DATE 2024-07-16
CUSTOMER ALTW	APPROVED BY Fred Lee	DATE 2024-07-16

A

C

B

D

E

F