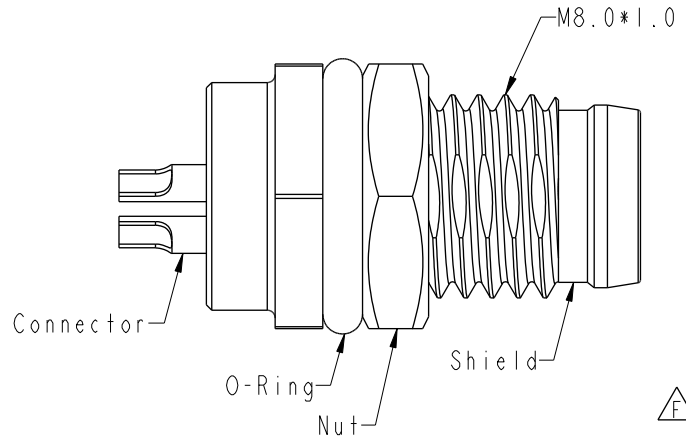
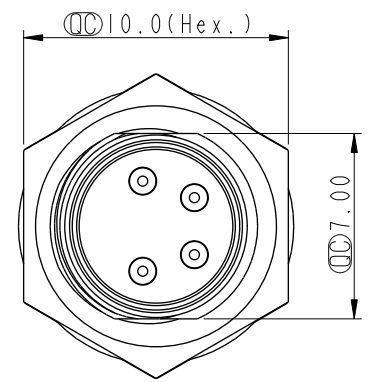
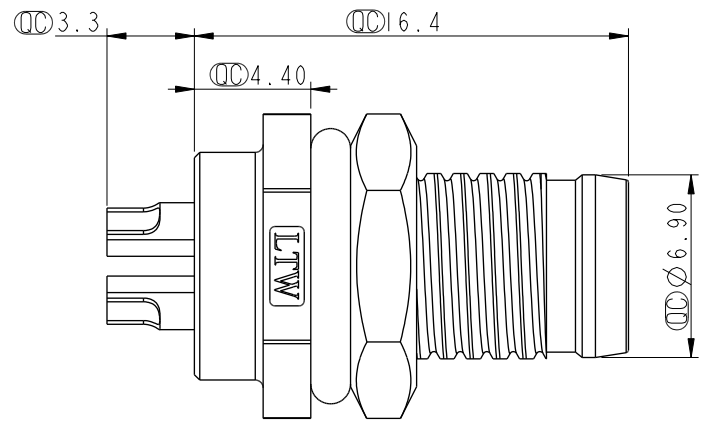
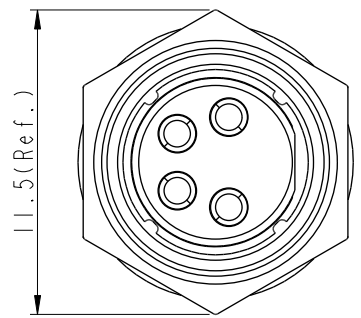
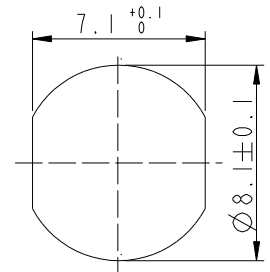
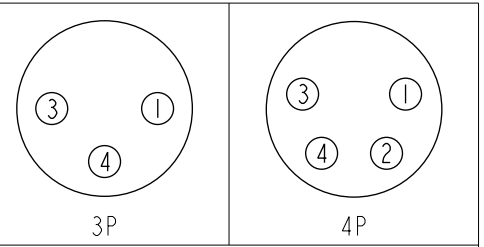


THIS DOCUMENT IS SUBJECT TO CHANGE WITHOUT NOTICE. IT IS CONFIDENTIAL AND A PROPERTY OF Amphenol LTW. DISCLOSURE TO THIRD PARTY HAS TO BE AUTHORIZED BY Amphenol LTW.

REV.	ECN NO.	DATE	SIGN	DESCRIPTION
D	C192160	2019/12/21	Peng	△D XI
E	C210686	2021/05/11	Vicky	△E X5
F	C221882	2022/12/16	Vicky	△E XI



△E 8-XXPMMS-SF7001
 XX: No. Of Pin



△E Pin Assignments Front View

- Note:
- * RoHS Compliant
 - * (C) Important dimension
 - △E * Waterproof rate: IP67, unmated
 - * Connector
 - Housing: Thermoplastic, Black
 - Pin: Copper alloy, Gold plated
 - * Shield: Metal
 - △C * Nut: Metal
 - * O-Ring: Rubber, Black
 - △B * For panel thickness(screw type)max: 1.9mm
 - * For panel thickness(snap-in type)max: 3.0mm
 - * Nut is packed separately in pe bag

UNIT:mm		TITLE	O SEN, M8 RECEPTACLE, M, M, SOLDER	
TOLERANCE		SCALE	SIZE	SHEET
.X ±0.25		7:2	A4	1 OF 1
.XX ±0.1		REV.	WC-REV.	
.XXX ±0.05		F	A.4	
ANGLES ±1°		◎: Inspection item		

Amphenol LTW
 安費諾亮泰企業股份有限公司

ITEM NO	DRAWN BY	DATE
	Ivan Lin	2009-01-07
DWG NO	CHECKED BY	DATE
△E 8-XXPMMS-SF7001	Tommy Hom	2009-01-07
CUSTOMER	APPROVED BY	DATE
ALTW	Luke Chang	2009-01-07