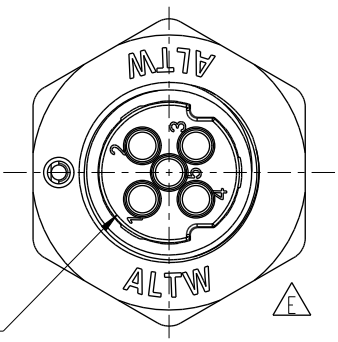
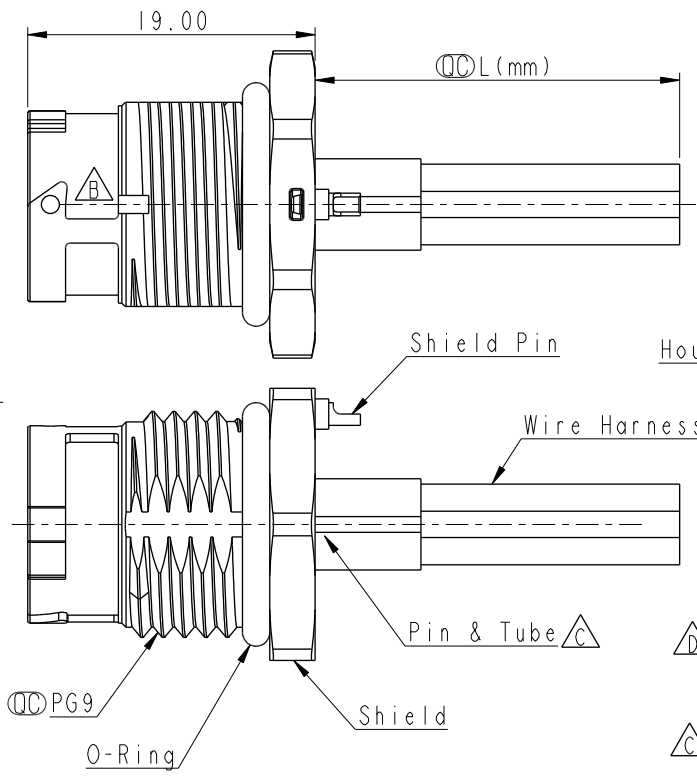
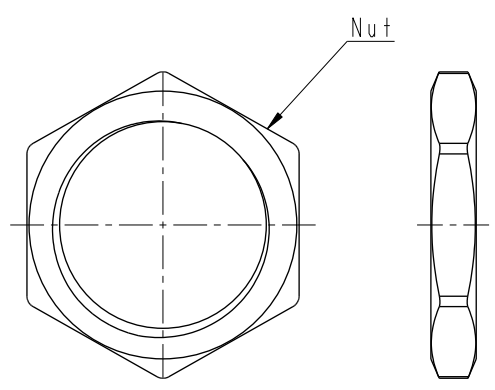
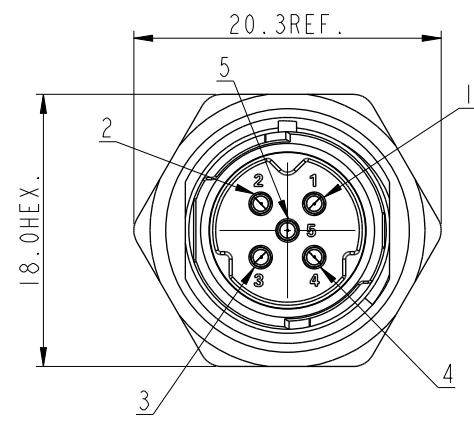
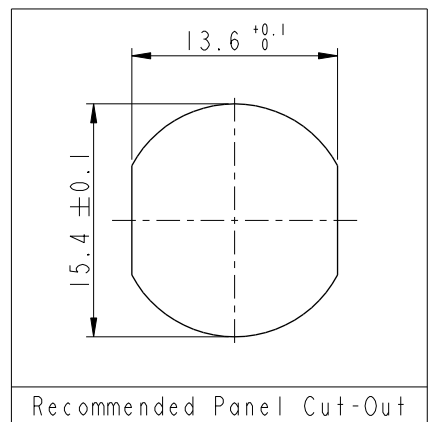


THIS DOCUMENT IS SUBJECT TO CHANGE WITHOUT NOTICE. IT IS CONFIDENTIAL AND A PROPERTY OF Amphenol LTW. DISCLOSURE TO THIRD PARTY HAS TO BE AUTHORIZED BY Amphenol LTW.

REV.	ECN NO.	DATE	SIGN	DESCRIPTION
C	C221130	2022-07-25	Sam Ho	△C X2
D	C230086	2023-01-31	Ruru	△D XI
E	C231447	2023-11-20	Ruru	△E XI



- Note:
- \* RoHS Compliant
  - \* Ⓞ Important dimension
  - △ \* Waterproof rate: IP68, unmated 1m/24h
  - \* Housing: Thermoplastic, Black
  - \* Pin: Copper alloy, Gold plated
  - △C \* Shield Pin: Copper alloy, Tin plated
  - \* Shield: Metal
  - \* Nut: Metal
  - \* O-Ring: Rubber, Black
  - \* Wire harness: UL1430, 20#, Ø1.8.
  - \* For panel thickness max: 4.5mm
  - \* Nut is packed separately in pe bag
  - \* Wire harness tolerance:
    - 100mm: ±10mm
    - 100mm < L ≤ 300mm: ±15mm
    - 300mm < L ≤ 1000mm: ±20mm
    - 1000mm < L ≤ 1500mm: ±50mm

ASD-XXPMMS-QC8AXX

XX: L=10~150cm  
 10: L=10cm  
 15: L=15cm  
 :  
 A0: L=100cm  
 A1: L=110cm  
 :  
 XX: No. Of Pin

UNIT: mm		
TOLERANCE		
±0.50mm		

TITLE XLOK, A SHLD-5A, FRONT FASTENED M, M, SOLDER, PUSH LOCK			
SCALE 2:1	SIZE A4	SHEET 1 OF 2	
REV. E	WC-REV.	Ⓞ: Inspection item	

**Amphenol LTW**  
 安費諾亮泰企業股份有限公司

ITEM NO.	DRAWN BY Ruru	DATE 2023-11-20
DWG NO. ASD-XXPMMS-QC8AXX	CHECKED BY Rita	DATE 2023-11-20
CUSTOMER ALTW	APPROVED BY Fred	DATE 2023-11-20

THIS DOCUMENT IS SUBJECT TO CHANGE WITHOUT NOTICE. IT IS CONFIDENTIAL AND A PROPERTY OF Amphenol LTW. DISCLOSURE TO THIRD PARTY HAS TO BE AUTHORIZED BY Amphenol LTW.

1 2 3 4 5 6 7 8

F

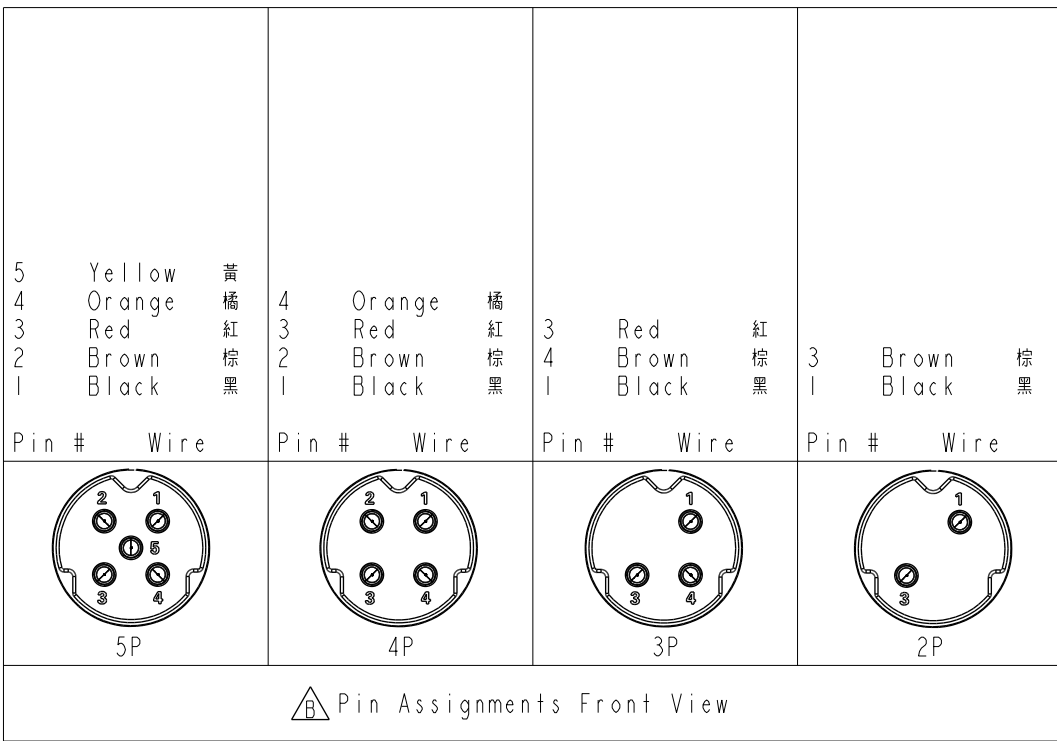
E

D

C

B

A



UNIT: mm

TOLERANCE  
±0.50mm

TITLE  
XLOK, A SHLD-5A, FRONT FASTENED  
M, M, SOLDER, PUSH LOCK

SCALE 2:1 SIZE A4 SHEET 2 OF 2

REV. E WC-REV. .0 Inspection item

**Amphenol LTW**  
安費諾亮泰企業股份有限公司

ITEM NO  
DWG NO ASD-XXPMMS-QC8AXX  
CUSTOMER ALTW

DRAWN BY Ruru  
CHECKED BY Rita  
APPROVED BY Fred

DATE 2023-11-20  
DATE 2023-11-20  
DATE 2023-11-20

1 2 3 4 5 6 7 8 W10814-03-0001A2