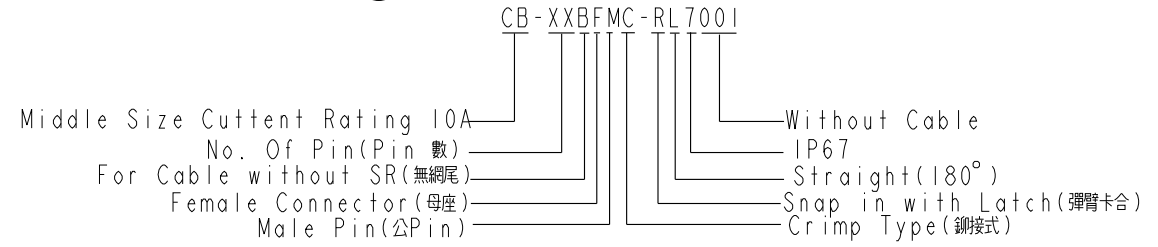
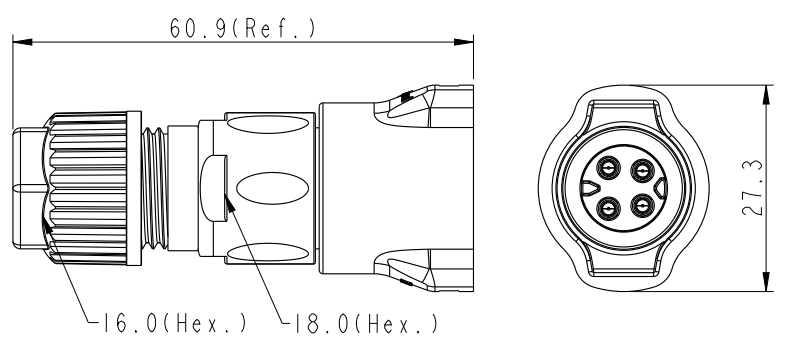
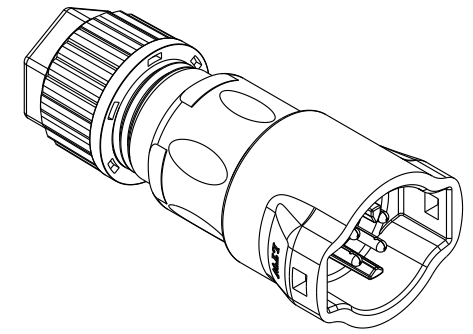
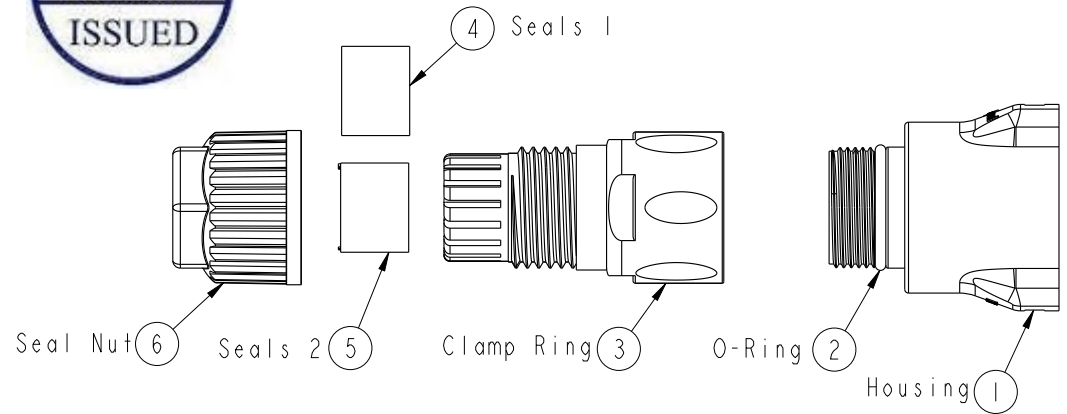


THIS DOCUMENT IS SUBJECT TO CHANGE WITHOUT NOTICE. IT IS CONFIDENTIAL AND A PROPERTY OF AMPHENOL LTW. DISCLOSURE TO THIRD PARTY HAS TO BE AUTHORIZED BY AMPHENOL LTW.

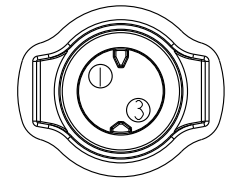
REV.	ECN NO.	DATE	SIGN	DESCRIPTION
A	Initial Release	2015/07/14	Mafei	Change Rev.01 To Rev.A

**ALTW**  
CONFIDENTIAL  
2015-07-14  
R&D DEPT.

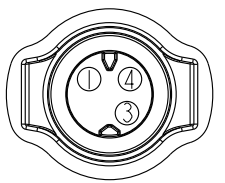
**ALTW**  
DCC. DEPT.  
CONFIDENTIAL  
2015.08.19  
ISSUED



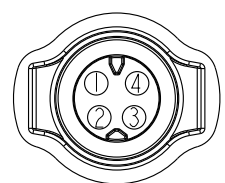
- Note:
- \*  $\varnothing$  Important Dimension To Check.
  - \* Waterproof Rate: IP67 (Mating)
  - \* Housing: M-PPE, Black, UL94 V-0, UL746C fl
  - \* Conductor Current Rating: Max.10A Depends On Wire
  - \* O-Ring: Silicone, Gray, UL94 V-0
  - \* Seals: Silicone, Gray, UL94 V-0
  - \* Clamp Ring: Nylon, Black, UL94 V-0, UL746C fl
  - \* Sealing Nut: Nylon, Black, UL94 V-0, UL746C fl
  - \* Seal 1 For Cable OD:  $\varnothing$ 4.5mm~ $\varnothing$ 7.5mm
  - \* Seal 2 For Cable OD:  $\varnothing$ 7.5mm~ $\varnothing$ 9.5mm
  - \* Prohibiting the use of place in oils.
  - \* Clamp Ring Recommended Tightening Torque: 4~7 Kgf.cm(0.4~0.7 N.m)
  - \* Sealing Nut Recommended Tightening Torque: 5~10 Kgf.cm(0.5~1 N.m)



Pin2  
Pin Assignments  
Front View



Pin3  
Pin Assignments  
Front View



Pin4  
Pin Assignments  
Front View

UNIT:mm   
TOLERANCE  
 $\pm 0.5$

TITLE ASSY RBL 10A F CONN M PIN			
SCALE 1:1	SIZE A4	SHEET 1 OF 2	
REV. A	WC-REV. A.1	$\varnothing$ : Inspection item	

**Amphenol LTW**  
安費諾亮泰企業股份有限公司

ITEM NO.	DRAWN BY Mafei	DATE 2015-07-14
DWG NO. CB-XXBFMC-RL7001	CHECKED BY Alex_Lin	DATE 2015-07-14
CUSTOMER ALTW	APPROVED BY Jerry	DATE 2015-07-14

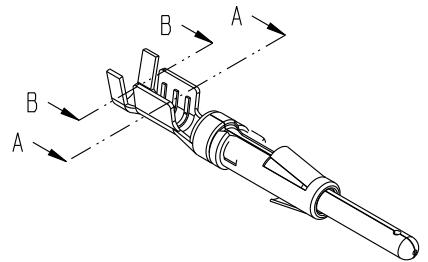
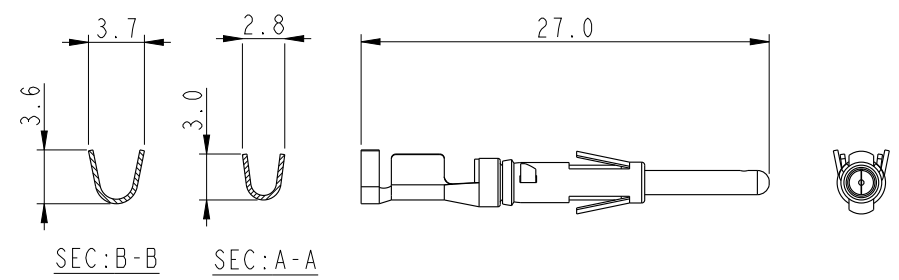
THIS DOCUMENT IS SUBJECT TO CHANGE WITHOUT NOTICE. IT IS CONFIDENTIAL AND A PROPERTY OF Amphenol LTW. DISCLOSURE TO THIRD PARTY HAS TO BE AUTHORIZED BY Amphenol LTW.

REV.	ECN NO.	DATE	SIGN	DESCRIPTION

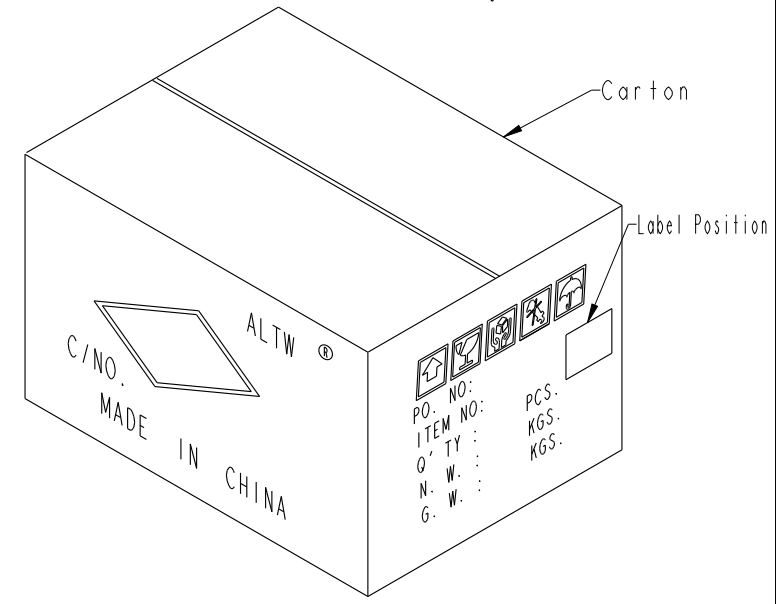
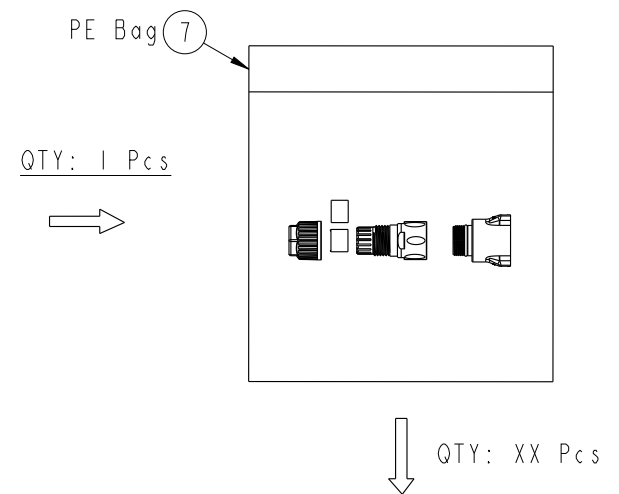
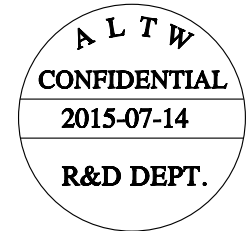
Optional Part: Terminal  
P/N: SAMI6B-XXG03

- 01: 2000Pcs/Reel
- 02: 500 Pcs Loose
- 03: 100 Pcs Loose

Contact Material: Copper Alloy, Gold Plated  
Current Rating: 10A.  
Wire Range: 16#~18#



Note:  
\* One Set Unassembled In One PE Bag.  
(每一組未組裝，放置於一個PE袋，並封口)



UNIT: mm		
TOLERANCE	.X ±0.25	
.XX ±0.1		
.XXX ±0.05		
ANGLES	±1°	

TITLE ASSY RBL 10A F CONN M PIN			
SCALE 1:1	SIZE A4	SHEET 2 OF 2	
REV. A	WC-REV. A.1	QC: Inspection item	

**Amphenol LTW**  
安費諾亮泰企業股份有限公司

ITEM NO.	DRAWN BY Mafei	DATE 2015/07/14
DWG NO. CB-XXBFMC-RL7001	CHECKED BY Alex_Lin	DATE 2015/07/14
CUSTOMER ALTW	APPROVED BY Jerry	DATE 2015/07/14