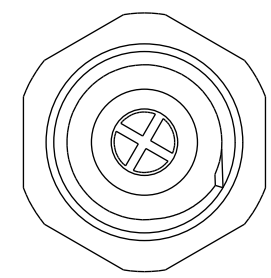
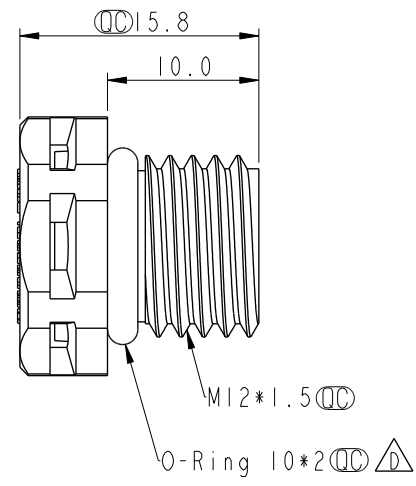
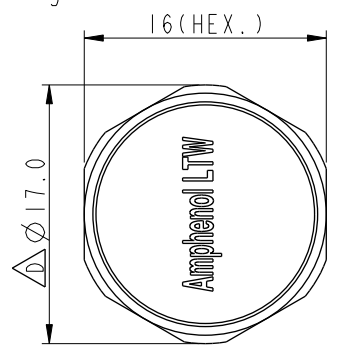
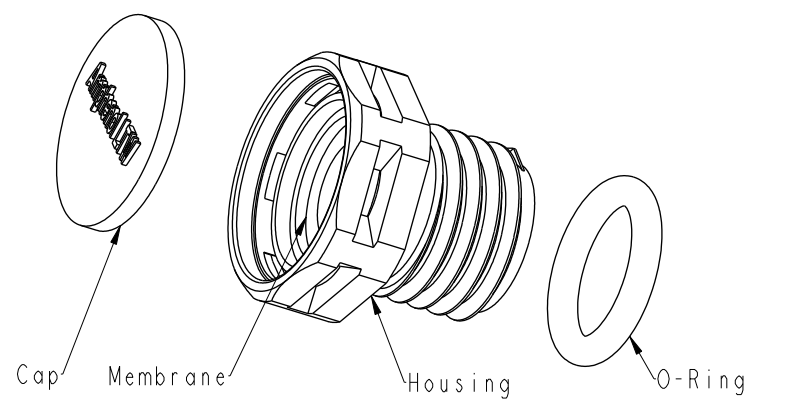


THIS DOCUMENT IS SUBJECT TO CHANGE WITHOUT NOTICE. IT IS CONFIDENTIAL AND A PROPERTY OF Amphenol LTW. DISCLOSURE TO THIRD PARTY HAS TO BE AUTHORIZED BY Amphenol LTW.

REV.	ECN NO.	DATE	SIGN	DESCRIPTION
E	C180282	2018/11/01	Xiaofeng	Drawings Change
F	C210614	2021/04/13	Xiaofeng	$\triangle_F$ X3
G	C240590	2024/05/27	Vicky	$\triangle_G$ X4



Without Nut

成品料號 (Product no.)	透氣量 ml/min at 7 kPa $\triangle_G$	主體顏色 (Body Colour)	O-Ring Color	疏油性 (Oleophobic)	Waterproof Rate
VENT-PSINGY-N8001	>1000	Gray	Blue	N	IP68/IP69K
VENT-PSINBK-N8001	>1000	Black	Blue	N	IP68/IP69K
VENT-PSINGY-O8001	>550	Gray	Black	Y	IP68/IP69K
VENT-PSINBK-O8001	>550	Black	Black	Y	IP68/IP69K
VENT-PSINGY-O8002	>1000	Gray	Green	Y	IP68/IP69K
VENT-PSINBK-O8002	>1000	Black	Green	Y	IP68/IP69K
VENT-PSINGY-N8002	>3000	Gray	Red	N	IP68
VENT-PSINBK-N8002	>3000	Black	Red	N	IP68

With Nut

成品料號 (Product no.)	透氣量 ml/min at 7 kPa $\triangle_G$	主體顏色 (Body Colour)	O-Ring Color	疏油性 (Oleophobic)	Waterproof Rate
VENT-PSIYGY-N8001	>1000	Gray	Blue	N	IP68/IP69K
VENT-PSIYBK-N8001	>1000	Black	Blue	N	IP68/IP69K
VENT-PSIYGY-O8001	>550	Gray	Black	Y	IP68/IP69K
VENT-PSIYBK-O8001	>550	Black	Black	Y	IP68/IP69K
VENT-PSIYGY-O8002	>1000	Gray	Green	Y	IP68/IP69K
VENT-PSIYBK-O8002	>1000	Black	Green	Y	IP68/IP69K
VENT-PSIYGY-N8002	>3000	Gray	Red	N	IP68
VENT-PSIYBK-N8002	>3000	Black	Red	N	IP68

UNIT: mm

TOLERANCE  
 .X ±0.25  
 .XX ±0.1  
 .XXX ±0.05  
 ANGLES ±1°

TITLE: VENT, M12, PC  $\triangle_G$

SCALE: 2:1    SIZE: A4    SHEET: 1 OF 2

REV: G    WC-REV: A.7     $\triangle_G$ : Inspection item

**Amphenol LTW**  
 安費諾亮泰企業股份有限公司

ITEM NO: ALTW

DWG NO: VENT-PSIXXX-XXXXX

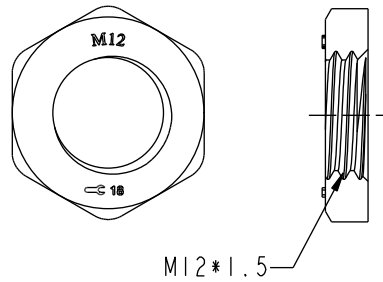
CUSTOMER: ALTW

DRAWN BY: Vicky    DATE: 2024-05-27

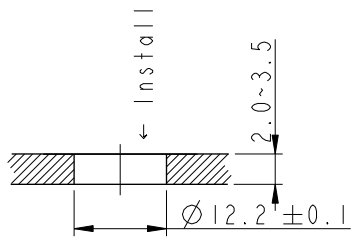
CHECKED BY: Rita    DATE: 2024-05-27

APPROVED BY: Fred    DATE: 2024-05-27

Screw Nut: Optional part  
 No.: APTP-ABKPA012-001  
 螺母作為選配件

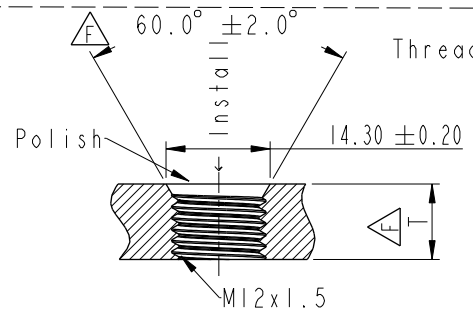


Through-hole

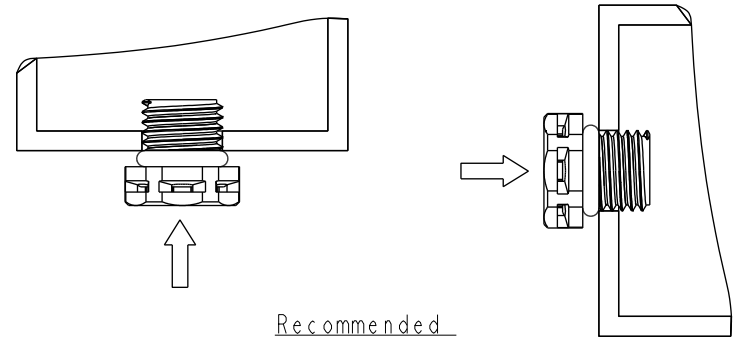


Recommended Panel Cut-Out  
 建議開孔尺寸

Threaded-hole



Recommended Panel Cut-Out  
 建議開孔尺寸



Recommended  
 installation orientation  
 建議安裝朝向

- Note:
- \*  $\text{Ⓢ}$  Important Dimension.
  - \* Cap: Nylon+GF, 94V-0, UV Resistance
  - \* Membrane: ePTFE
  - \* Body: Nylon+GF, 94V-0, UV Resistance
  - \* O-Ring: Silicone, 94V-0
  - \*  $\text{Ⓢ}$  Recommended Torque: 6.0~8.0 kgf.cm

UNIT: mm		
TOLERANCE	.X	$\pm 0.25$
	.XX	$\pm 0.1$
	.XXX	$\pm 0.05$
ANGLES		$\pm 1^\circ$

TITLE VENT, M12, PC			
SCALE	SIZE	SHEET	OF
2:1	A4	2	2
REV.	WC-REV.	$\text{Ⓢ}$ : Inspection item	
G	A.7		

**Amphenol LTW**  
 安費諾亮泰企業股份有限公司

ITEM NO	DRAWN BY	DATE
	Vicky	2024-05-27
DWG NO	CHECKED BY	DATE
VENT-PSIXXX-XXXXX	Rita	2024-05-27
CUSTOMER	APPROVED BY	DATE
ALTW	Fred	2024-05-27

THIS DOCUMENT IS SUBJECT TO CHANGE WITHOUT NOTICE. IT IS CONFIDENTIAL AND A PROPERTY OF Amphenol LTW. DISCLOSURE TO THIRD PARTY HAS TO BE AUTHORIZED BY Amphenol LTW.