

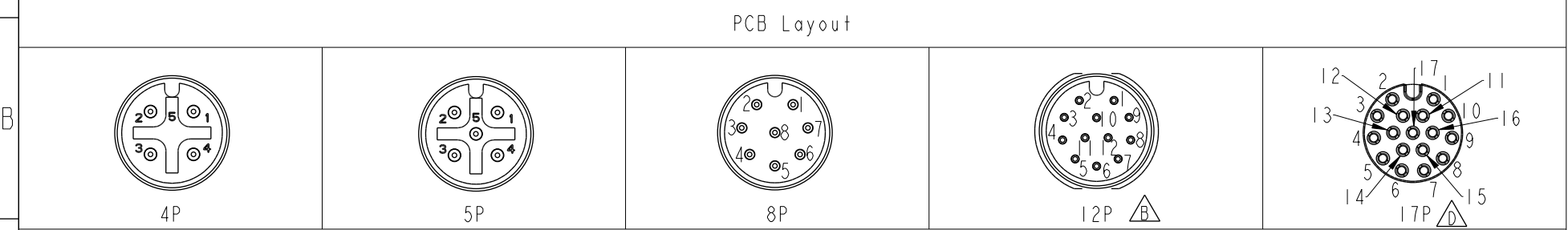
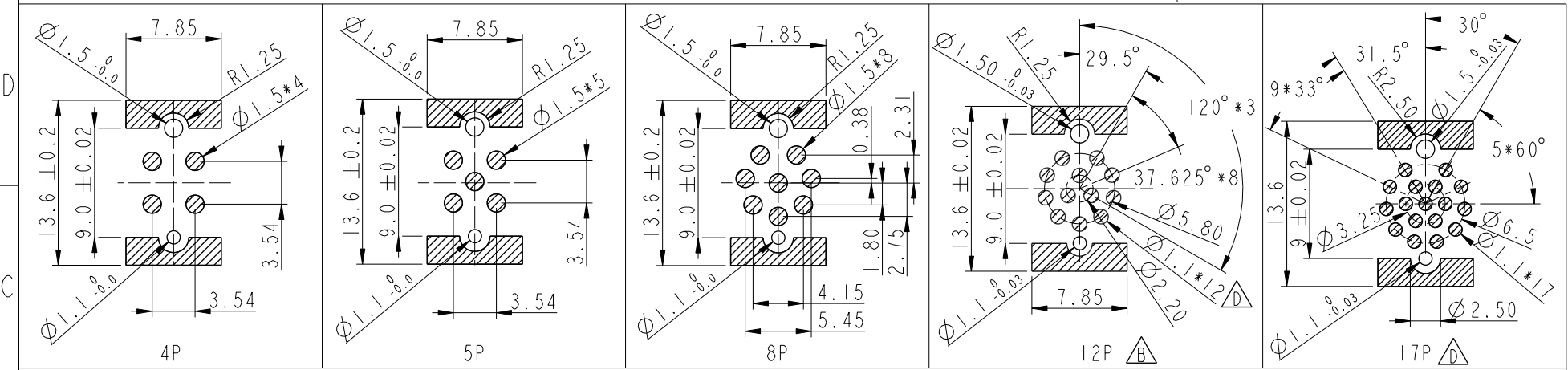
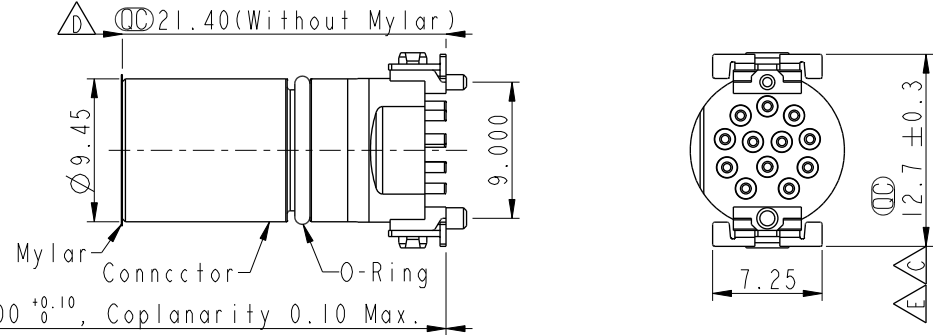
THIS DOCUMENT IS SUBJECT TO CHANGE WITHOUT NOTICE. IT IS CONFIDENTIAL AND A PROPERTY OF Amphenol LTW. DISCLOSURE TO THIRD PARTY HAS TO BE AUTHORIZED BY Amphenol LTW.

REV.	ECN NO.	DATE	SIGN	DESCRIPTION
D	C231467	2023/11/20	Yunchen	X4
E	C240227	2024/03/01	Hubert	X1
F	C240342	2024/04/12	Vicky	X1

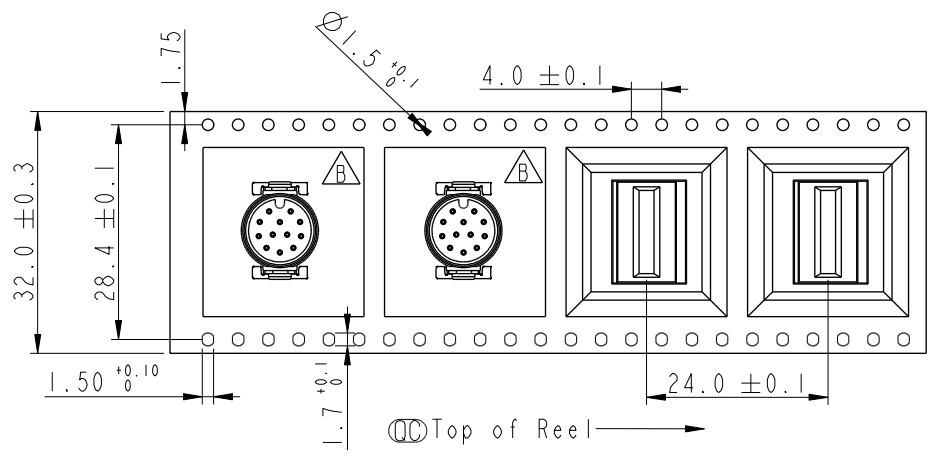
M12A-XXPMMT-EE0001

XX: No. Of Pin

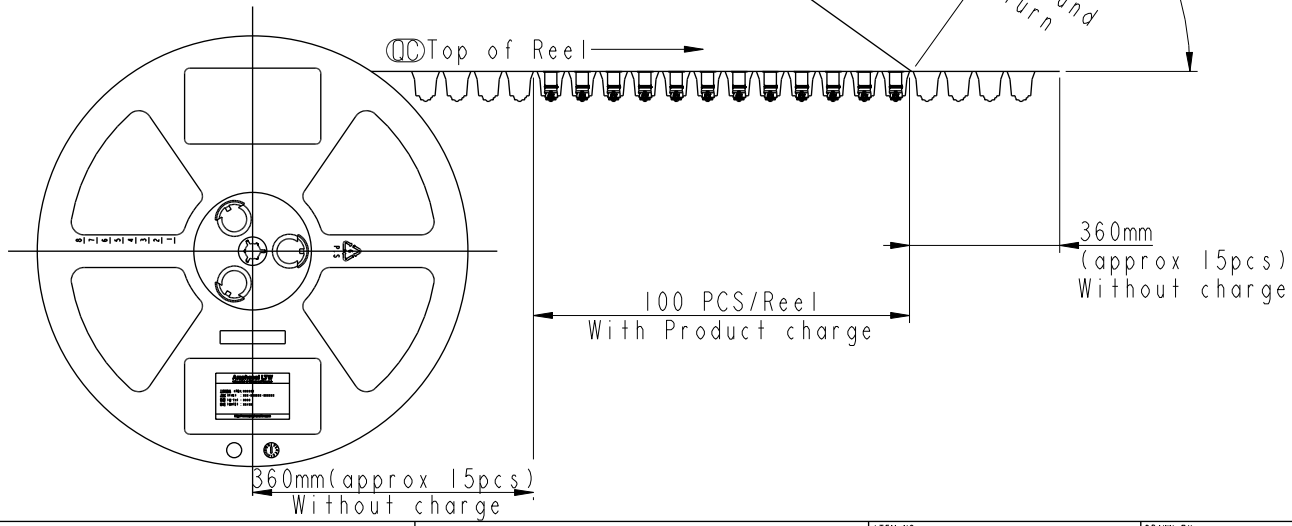
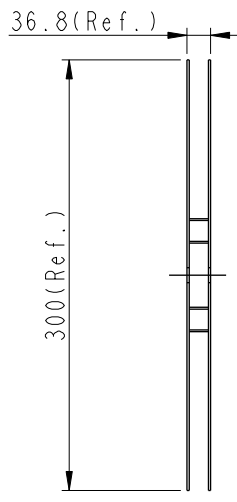
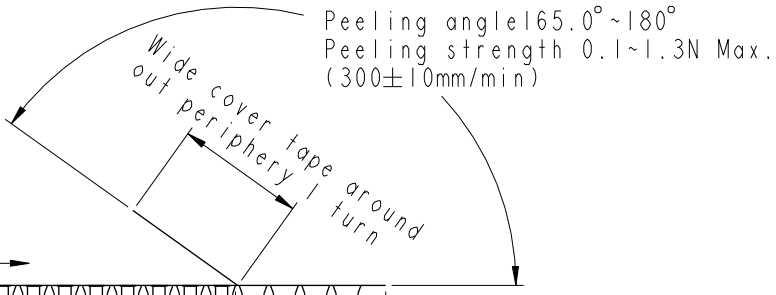
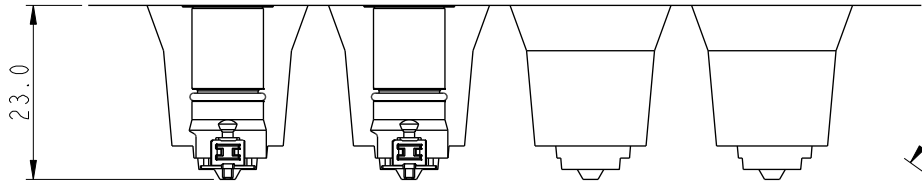
Note:
 * RoHS Compliant
 * Important dimension
 * Waterproof rate: Non-Waterproof
 * Connector
 Housing: Thermoplastic, Black
 Pin: Copper Alloy, Gold Plated
 * O-Ring: Rubber, Gray
 * Mylar: PI, Amber



A	UNIT: mm			TITLE N SEN, M12 A, NONE RECEPTACLE, M, M, PCB SMT	Amphenol LTW 安費諾亮泰企業股份有限公司	ITEM NO	DRAWN BY Vicky	DATE 2024-04-12
	TOLERANCE .X ±0.25 .XX ±0.1 .XXX ±0.05 ANGLES ±1°	SCALE 2:1	SIZE A4	SHEET 1 OF 3		DWG NO M12A-XXPMMT-EE0001	CHECKED BY Arvin	DATE 2024-04-12
	REV. F	WC-REV. A.1	: Inspection item	CUSTOMER ALTW		APPROVED BY Fred	DATE 2024-04-12	



Note :
 Ⓞ * Connector Orientat follow Drawing



UNIT: mm		
TOLERANCE	.X ± 0.25	
	.XX ± 0.1	
	.XXX ± 0.05	
ANGLES	± 1°	

TITLE N SEN, M12 A, NONE RECEPTACLE, M, M, PCB SMT			
SCALE	SIZE	SHEET	OF
FREE	A4	2	3
REV.	WC-REV.	Ⓞ: Inspection item	
F	A.1		

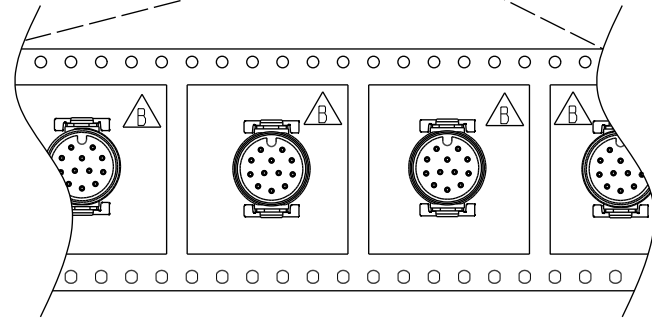
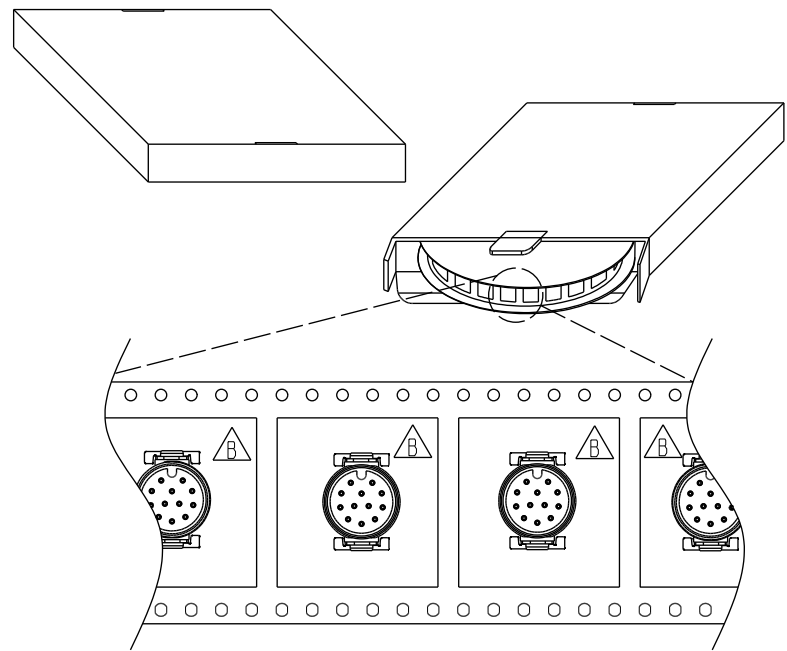
Amphenol LTW
 安費諾亮泰企業股份有限公司

ITEM NO	DWG NO
	M12A-XXPMMT-EE0001
CUSTOMER	ALTW

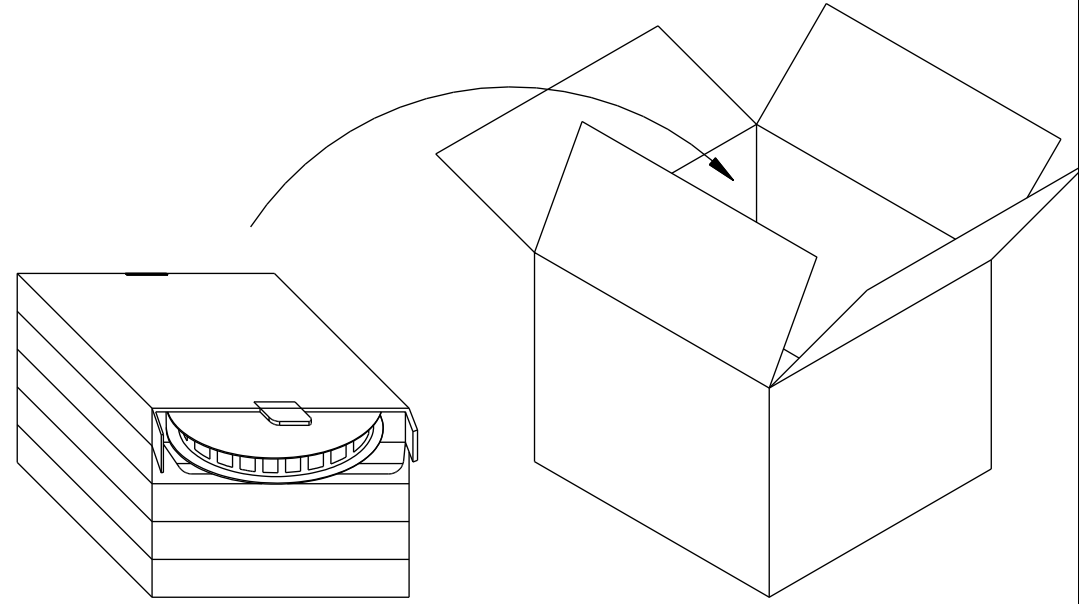
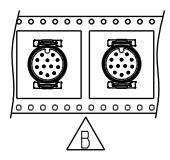
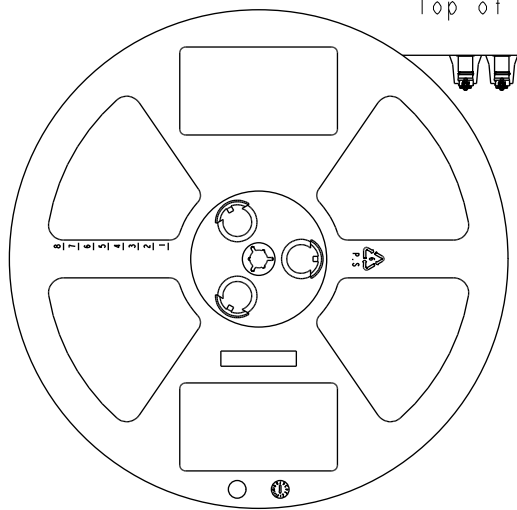
DRAWN BY	CHECKED BY
Vicky	Arvin
APPROVED BY	
Fred	

DATE	DATE	DATE
2024-04-12	2024-04-12	2024-04-12

THIS DOCUMENT IS SUBJECT TO CHANGE WITHOUT NOTICE. IT IS CONFIDENTIAL AND A PROPERTY OF Amphenol LTW. DISCLOSURE TO THIRD PARTY HAS TO BE AUTHORIZED BY Amphenol LTW.



Top of Reel →



Note:
 100 PCS(Connector)/Tape&Reel Put in a Box
 5PCS(Max.) Box Put in a Carton

UNIT: mm		
TOLERANCE	.X	±0.25
	.XX	±0.1
	.XXX	±0.05
ANGLES		±1°

TITLE N SEN, M12 A, NONE RECEPTACLE, M, M, PCB SMT			
SCALE	FREE	SIZE	A4
		SHEET	3 OF 3
REV.	F	WC-REV.	A.1
Inspection item			

Amphenol LTW
 安費諾亮泰企業股份有限公司

ITEM NO	
DWG NO	M12A-XXPMMT-EE0001
CUSTOMER	ALTW

DRAWN BY	Vicky
CHECKED BY	Arvin
APPROVED BY	Fred

DATE	2024-04-12
DATE	2024-04-12
DATE	2024-04-12