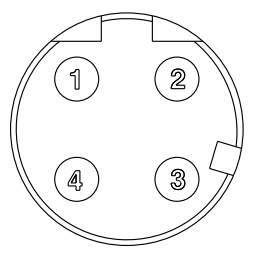
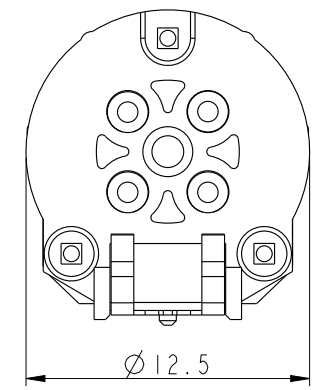
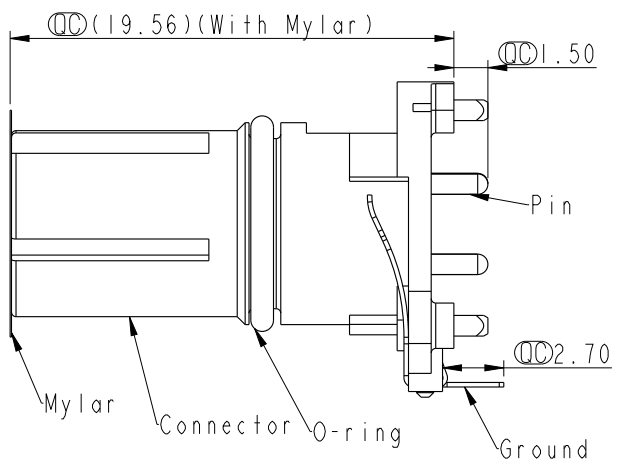


THIS DOCUMENT IS SUBJECT TO CHANGE WITHOUT NOTICE. IT IS CONFIDENTIAL AND A PROPERTY OF AMPHENOL LTW. DISCLOSURE TO THIRD PARTY HAS TO BE AUTHORIZED BY AMPHENOL LTW.

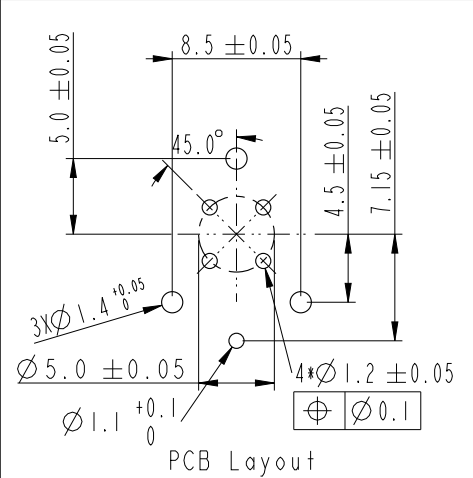
REV.	ECN NO.	DATE	SIGN	DESCRIPTION
A		2022-01-03	Zhi Cheng	Rev.01 To Rev.A
B	C230947	2023/12/08	Zhi Cheng	$\triangle B$ *2

MSDS-XXPFFP-EE0001

XX: No. Of Pin



Pin Assignment Front View



PCB Layout

$\triangle B$

- Note:
- * RoHS Complain
 - * CC Important dimension
 - * Waterproof rate: Non-Waterproof
 - * Connector: Thermoplastic, Black
 - * Pin: Copper alloy, Gold plated
 - * Ground: Metal
 - * Recommended PCB Thickness: 1.0 mm

UNIT: mm		
TOLERANCE:	.X	±0.25
	.XX	±0.1
	.XXX	±0.05
	ANGLES	±1°

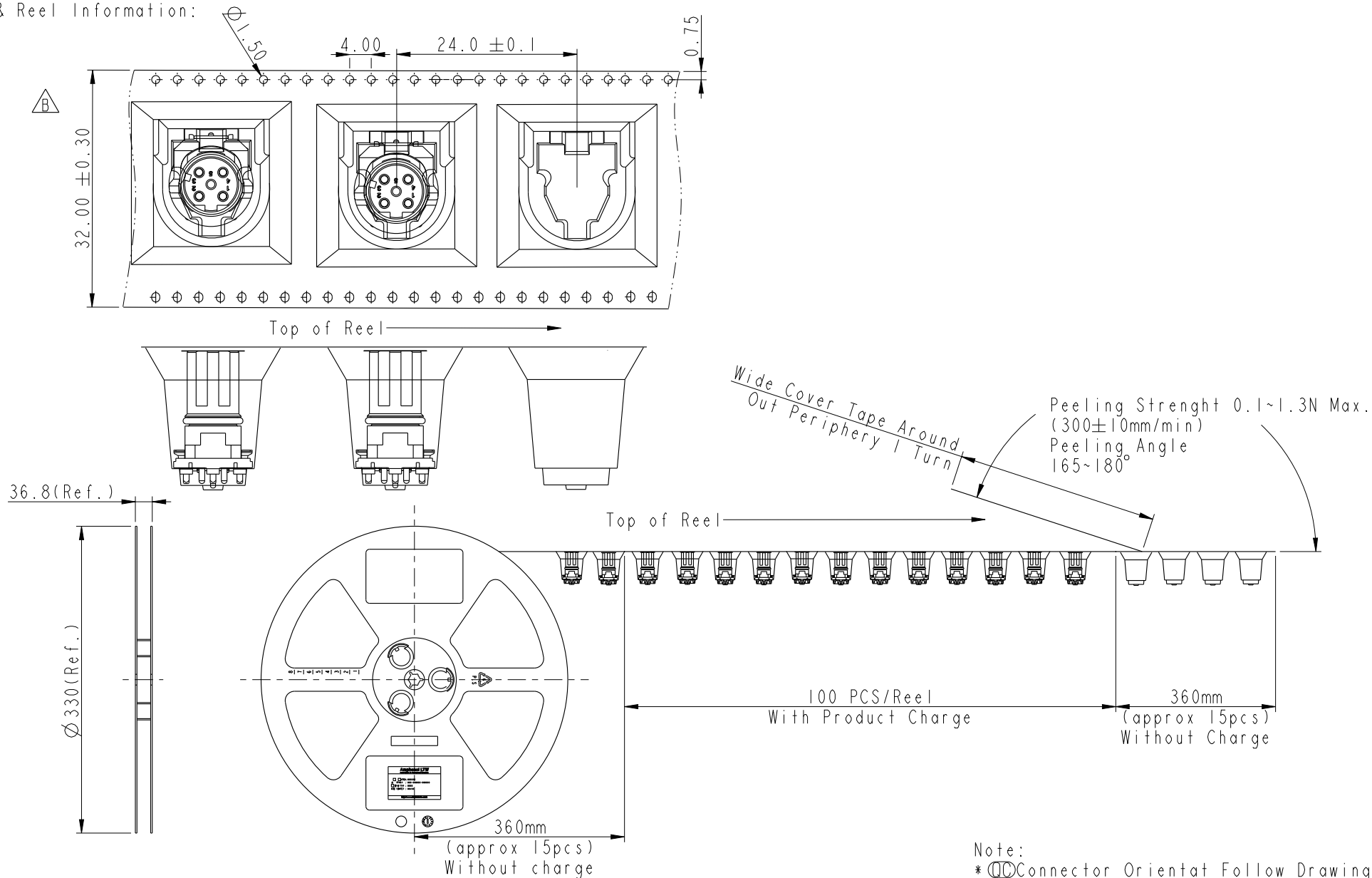
TITLE N SEN, M12 D -SHLD, 04P, NONE RECEPTACLE, F, F, PCB S			
SCALE	2:1	SIZE	A4
SHEET	1	OF	3
REV.	B	WC-REV.	.0
CC : Inspection item			

Amphenol LTW
安費諾亮泰企業股份有限公司

ITEM NO	DRAWN BY	DATE
	Zhi Cheng	2022-05-10
DWG NO	CHECKED BY	DATE
MSDS-XXPFFP-EE0001	Feng_Li	2022-05-10
CUSTOMER	APPROVED BY	DATE
ALTW	Jerry	2022-05-10

THIS DOCUMENT IS SUBJECT TO CHANGE WITHOUT NOTICE. IT IS CONFIDENTIAL AND A PROPERTY OF Amphenol LTW. DISCLOSURE TO THIRD PARTY HAS TO BE AUTHORIZED BY Amphenol LTW.

Tape & Reel Information:



Note:
 * Connector Orientat Follow Drawing

UNIT: mm		
TOLERANCE:	.X	±0.25
	.XX	±0.1
	.XXX	±0.05
ANGLES		±1°

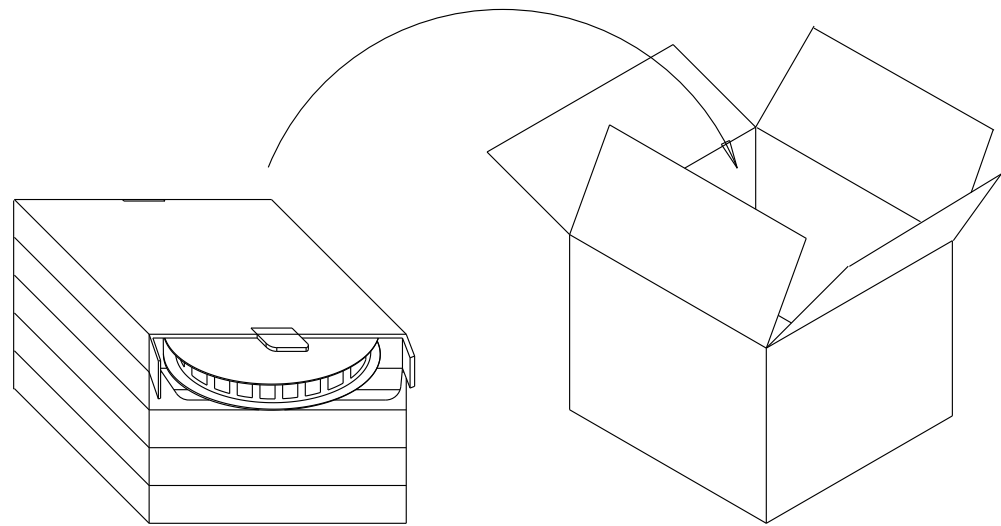
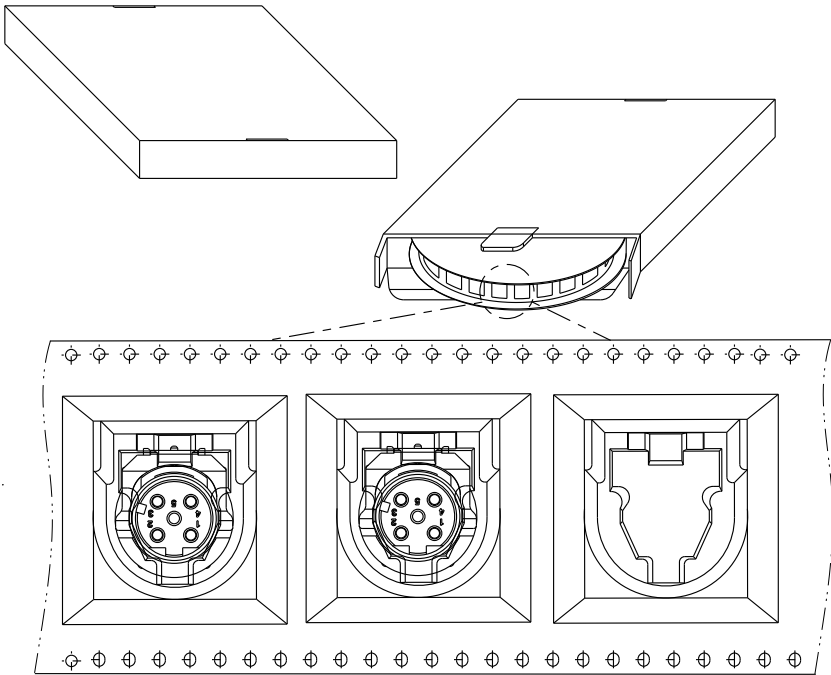
TITLE N SEN, M12 D -SHLD, 04P, NONE RECEPTACLE, F, F, PCB S			
SCALE	2:1	SIZE	A4
SHEET	2	OF	3
REV.	B	WC-REV.	.0
☉: Inspection item			

Amphenol LTW
 安費諾亮泰企業股份有限公司

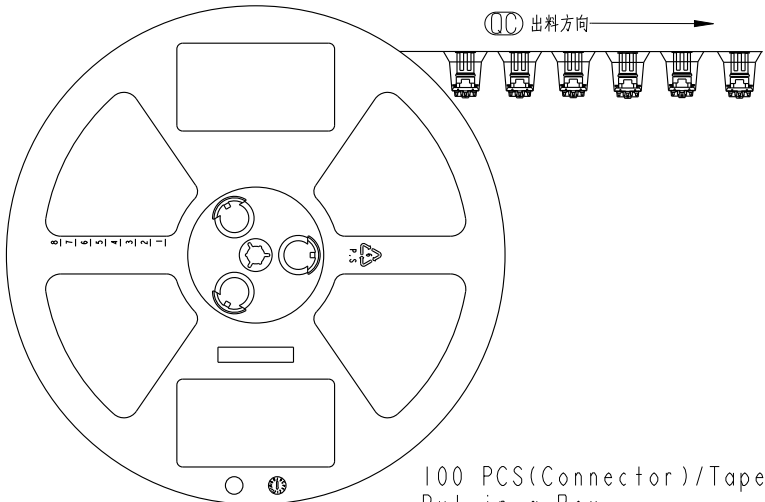
ITEM NO	DRAWN BY Zhi Cheng	DATE 2022-05-10
DWG NO MSDS-XXPFFP-EE0001	CHECKED BY Feng Li	DATE 2022-05-10
CUSTOMER ALTW	APPROVED BY Jerry	DATE 2022-05-10

THIS DOCUMENT IS SUBJECT TO CHANGE WITHOUT NOTICE. IT IS CONFIDENTIAL AND A PROPERTY OF Amphenol LTW. DISCLOSURE TO THIRD PARTY HAS TO BE AUTHORIZED BY Amphenol LTW.

Package:



One Carton can put in the 5PCS(Max.) Box
(500PCS/Carton)



100 PCS(Connector)/Tape&Reel,
Put in a Box

UNIT:mm		
TOLERANCE:	.X	±0.25
	.XX	±0.1
	.XXX	±0.05
ANGLES		±1°

TITLE N SEN, M12 D -SHLD, 04P, NONE RECEPTACLE, F, F, PCB S			
SCALE	2:1	SIZE	A4
		SHEET	3 OF 3
REV.	B	WC-REV.	.0
			Inspection item

Amphenol LTW
安費諾亮泰企業股份有限公司

ITEM NO	DRAWN BY	DATE
	Zhi Cheng	2022-05-10
DWG NO	CHECKED BY	DATE
MSDS-XXPFFP-EE0001	Feng-Li	2022-05-10
CUSTOMER	APPROVED BY	DATE
ALTW	Jerry	2022-05-10