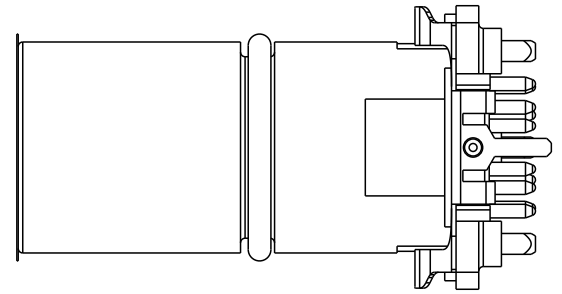
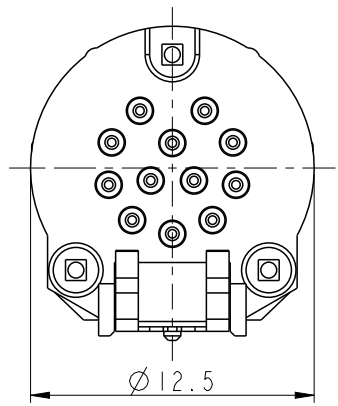
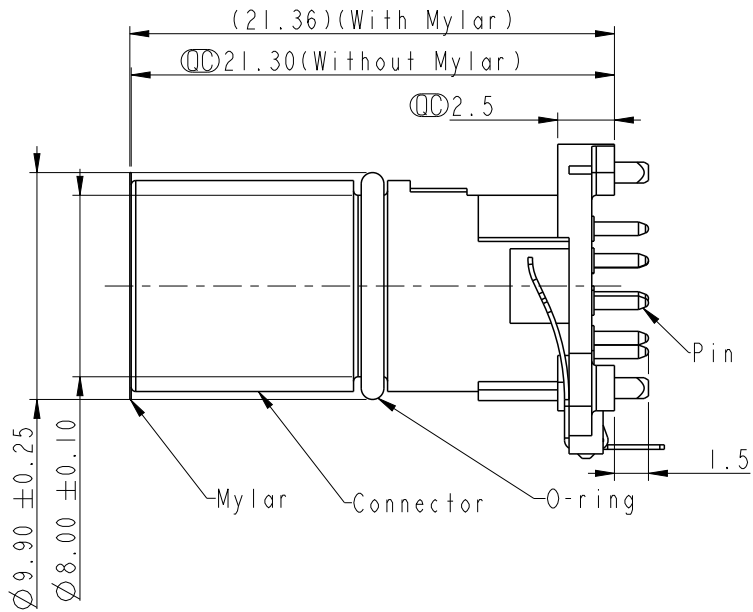


REV.	ECN NO.	DATE	SIGN	DESCRIPTION
A		2023/01/03	Zhi Cheng	Rev.02 to Rev.A
B	C231467	2023/11/20	Yunchen	$\triangle B$ x6

MSAS-XXPMMP-EE0001  
 XX: No. Of Pin

$\triangle B$  This connector design is for pin:4~12



- Note:
- \* RoHS Compliant
  - \*  $\odot$  Important Dimension
  - \* Waterproof Rate: Non-Waterproof
  - \* Connector:  
 Housing: Thermoplastic, Black  
 Pin: Copper Alloy, Gold Plated.
  - \* O-ring: Rubber, Gray
  - \* Ground: Metal
  - \* Recommend pcb thickness: 1.0 mm

UNIT: mm	$\odot$	$\nabla$
TOLERANCE		
.X	±0.25	
.XX	±0.1	
.XXX	±0.05	
ANGLES	±1°	

TITLE N SEN, M12 A -SHLD, NONE RECEPTACLE, M, M, PCB S		
SCALE 1:1	SIZE A4	SHEET 1 OF 5
REV. B	WC-REV. .0	$\odot$ : Inspection item

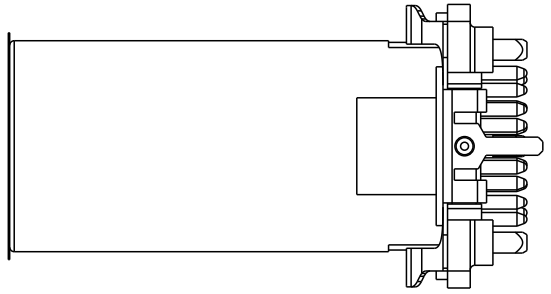
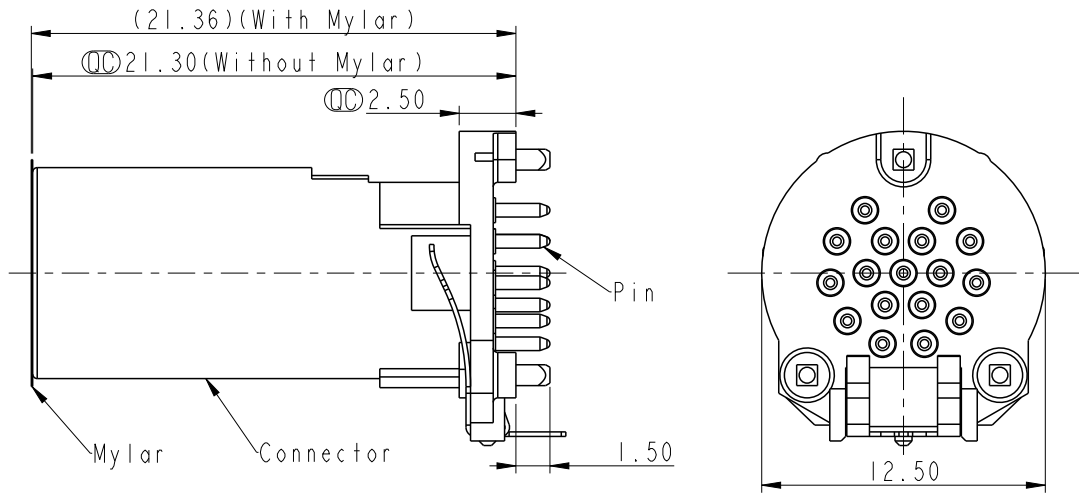
**Amphenol LTW**  
 安費諾亮泰企業股份有限公司

ITEM NO.	DRAWN BY Yunchen	DATE 2022-04-11
DWG NO. MSAS-XXPMMP-EE0001	CHECKED BY Neo	DATE 2022-04-11
CUSTOMER ALTW	APPROVED BY Fred	DATE 2022-04-11

THIS DOCUMENT IS SUBJECT TO CHANGE WITHOUT NOTICE. IT IS CONFIDENTIAL AND A PROPERTY OF Amphenol LTW. DISCLOSURE TO THIRD PARTY HAS TO BE AUTHORIZED BY Amphenol LTW.

THIS DOCUMENT IS SUBJECT TO CHANGE WITHOUT NOTICE. IT IS CONFIDENTIAL AND A PROPERTY OF Amphenol LTW. DISCLOSURE TO THIRD PARTY HAS TO BE AUTHORIZED BY Amphenol LTW.

△ This connector design is for pin:17



- Note:
- \* RoHS Compliant
  - \*  $\varnothing$  Important Dimension
  - \* Waterproof Rate: Non-Waterproof
  - \* Connector:  
 Housing: Thermoplastic, Black  
 Pin: Copper Alloy, Gold Plated.
  - \* O-ring: Rubber, Gray
  - \* Ground: Metal
  - \* Recommend pcb thickness: 1.0 mm

UNIT: mm		
TOLERANCE		
.X	±0.25	
.XX	±0.1	
.XXX	±0.05	
ANGLES	±1°	

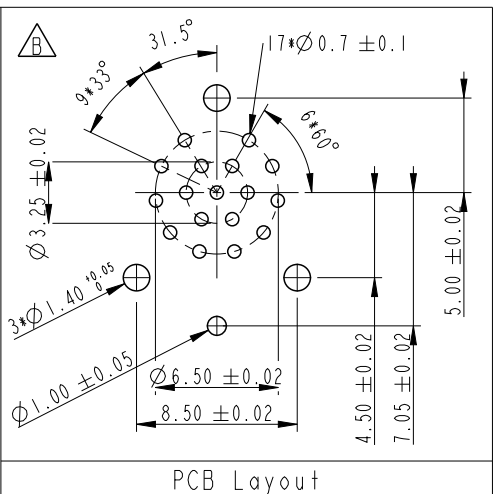
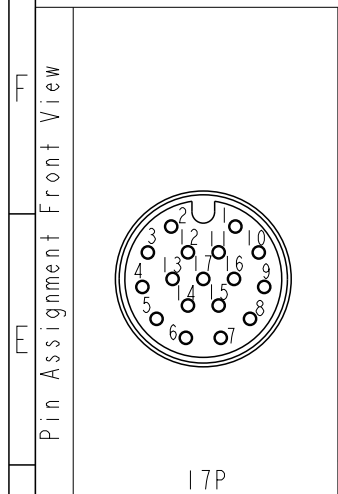
TITLE N SEN, M12 A -SHLD, NONE RECEPTACLE, M, M, PCB S			
SCALE 1:1	SIZE A4	SHEET 2 OF 5	
REV. B	WC-REV. .0	$\varnothing$ : Inspection item	

**Amphenol LTW**  
安費諾亮泰企業股份有限公司

ITEM NO	DRAWN BY Yunchen	DATE 2022-04-11
DWG NO MSAS-XXPMMP-EE0001	CHECKED BY Neo	DATE 2022-04-11
CUSTOMER ALTW	APPROVED BY Fred	DATE 2022-04-11

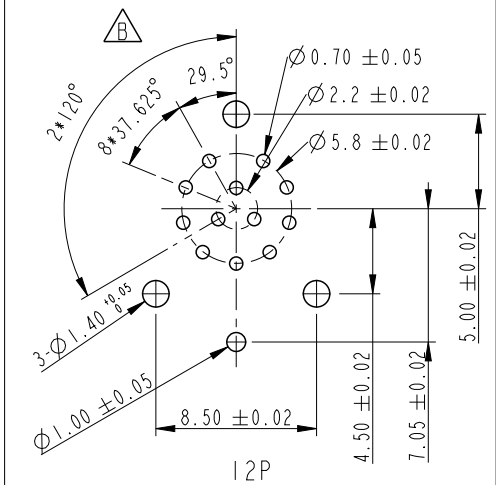
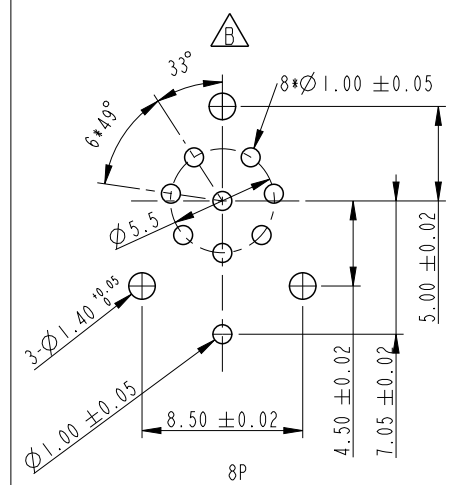
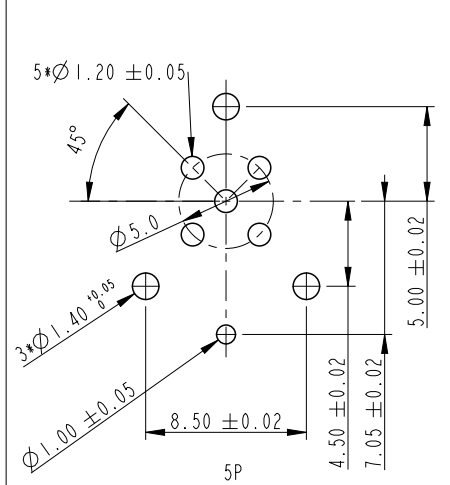
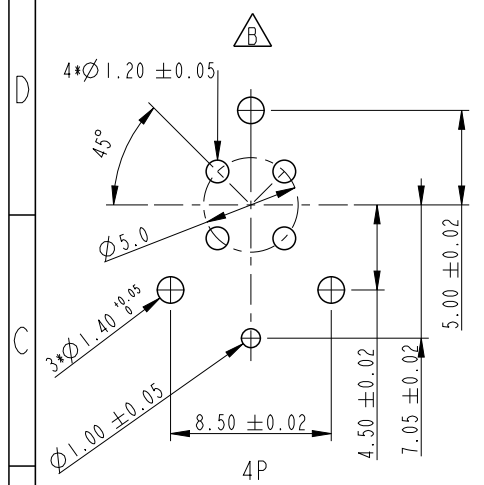
THIS DOCUMENT IS SUBJECT TO CHANGE WITHOUT NOTICE. IT IS CONFIDENTIAL AND A PROPERTY OF Amphenol LTW. DISCLOSURE TO THIRD PARTY HAS TO BE AUTHORIZED BY Amphenol LTW.

2 3 4 5 6 7 8

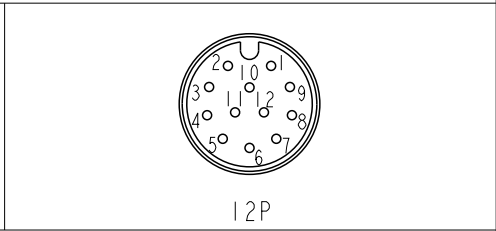
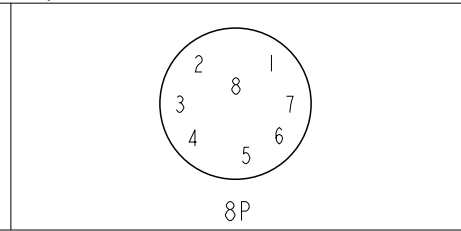
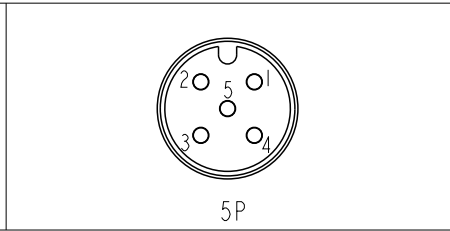
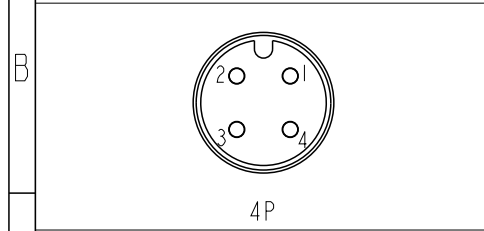


17P

PCB Layout



PCB Layout



Pin Assignment Front View

UNIT: mm		
TOLERANCE	.X	±0.25
	.XX	±0.1
	.XXX	±0.05
ANGLES		±1°

TITLE N SEN, M12 A -SHLD, NONE RECEPTACLE, M, M, PCB S			
SCALE	1:1	SIZE	A4
		SHEET	3 OF 5
REV.	B	WC-REV.	.0
☉: Inspection item			

**Amphenol LTW**  
安費諾亮泰企業股份有限公司

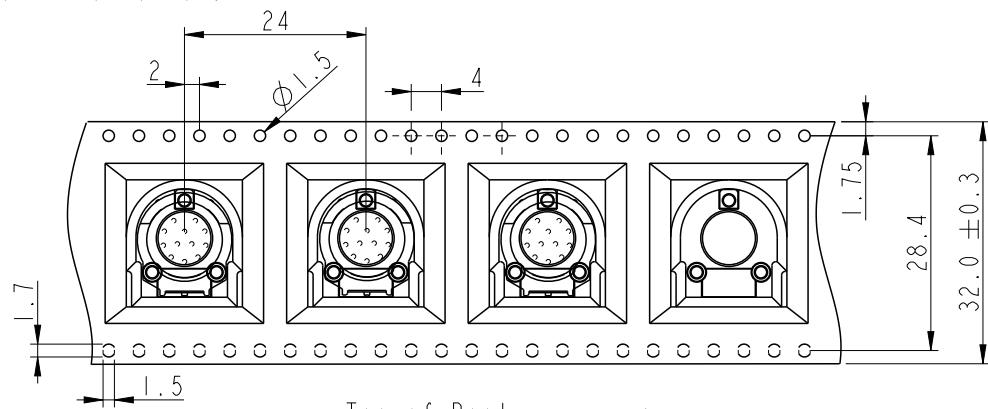
ITEM NO	DRAWN BY	DATE
DWG NO	Yunchen	2022-04-11
CUSTOMER	CHECKED BY	DATE
ALTW	Neo	2022-04-11
	APPROVED BY	DATE
	Fred	2022-04-11

DATE	2022-04-11
DATE	2022-04-11
DATE	2022-04-11

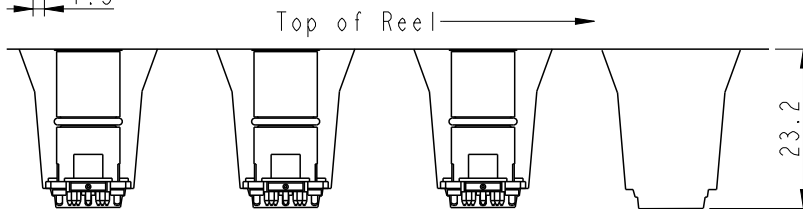
2 3 4 5 6 7 8 W10814-03-001A2

THIS DOCUMENT IS SUBJECT TO CHANGE WITHOUT NOTICE. IT IS CONFIDENTIAL AND A PROPERTY OF Amphenol LTW. DISCLOSURE TO THIRD PARTY HAS TO BE AUTHORIZED BY Amphenol LTW.

Tape & Reel Information:

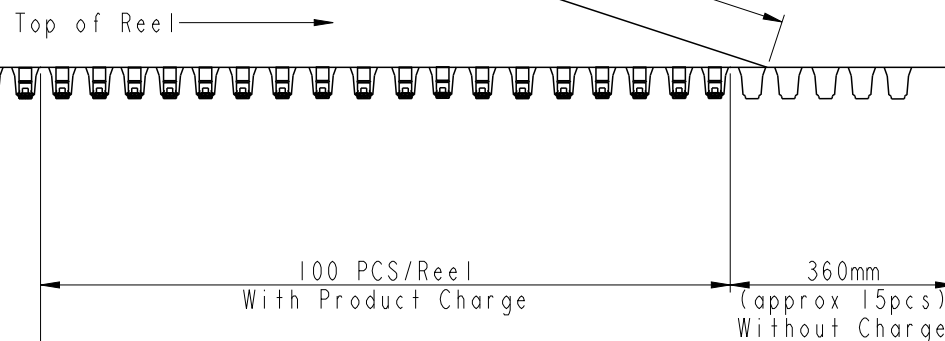
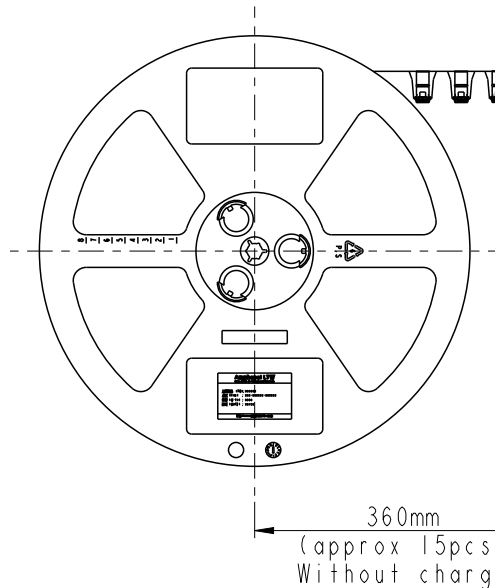
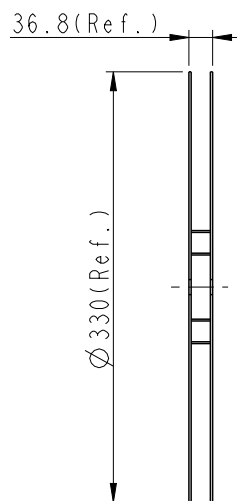


Note:  
\* Connector Orientation Follow Drawing



Wide Cover Tape Around  
Out Periphery 1 Turn

Peeling Strength 0.1~1.3N Max.  
(300±10mm/min)  
Peeling Angle  
165~180°



UNIT: mm	
TOLERANCE	

TITLE N SEN, M12 A -SHLD, NONE RECEPTACLE, M, M, PCB S			
SCALE 1:1	SIZE A4	SHEET 4 OF 5	
REV. B	WC-REV. 1	Inspection item	

**Amphenol LTW**  
安費諾亮泰企業股份有限公司

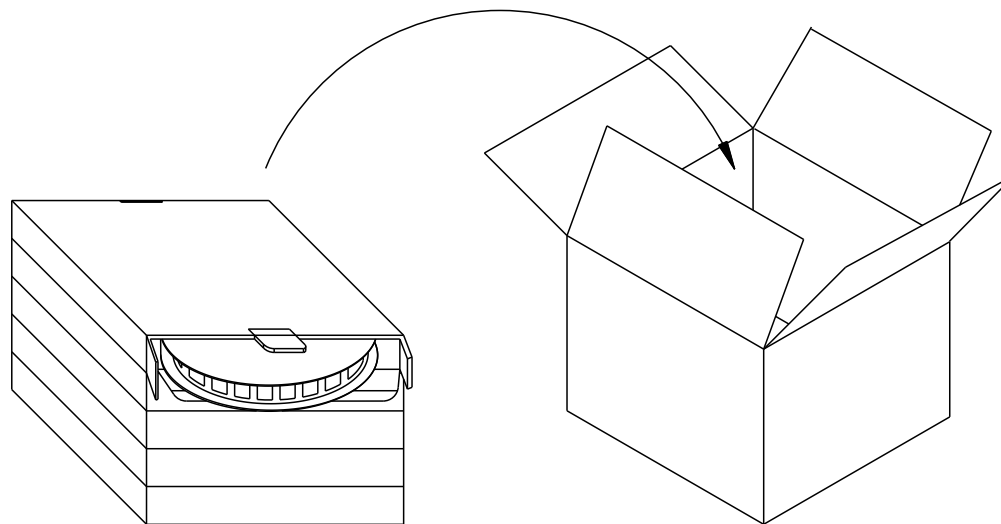
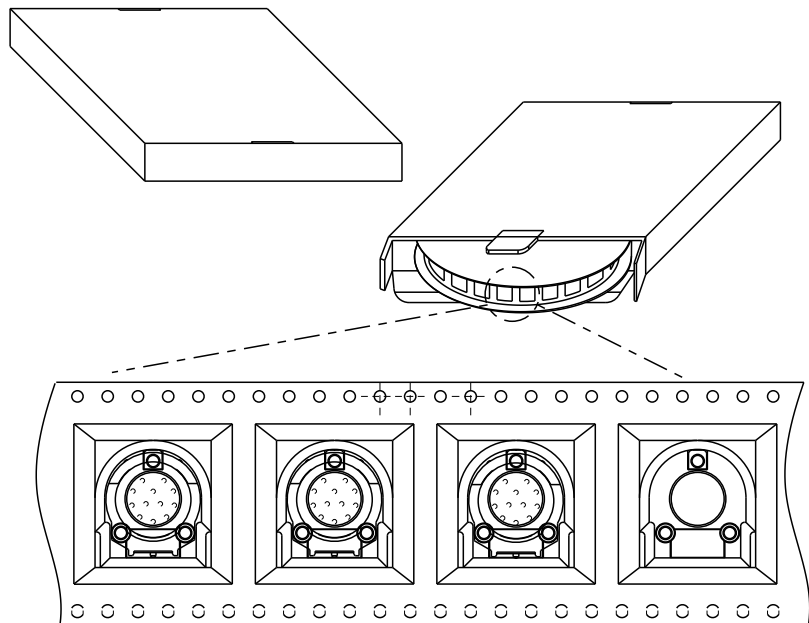
ITEM NO	DWG NO
MSAS-XXPMMP-EE0001	ALTW

DRAWN BY Yunchen	CHECKED BY Neo
APPROVED BY Fred	

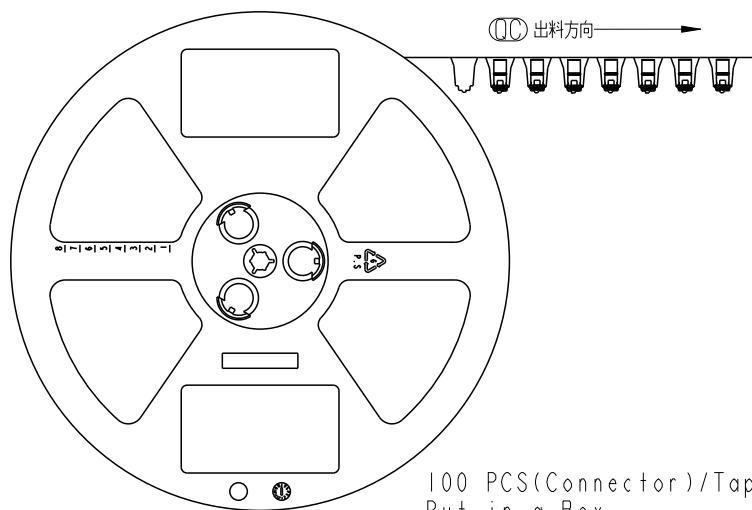
DATE 2022-04-11	DATE 2022-04-11
DATE 2022-04-11	

THIS DOCUMENT IS SUBJECT TO CHANGE WITHOUT NOTICE. IT IS CONFIDENTIAL AND A PROPERTY OF Amphenol LTW. DISCLOSURE TO THIRD PARTY HAS TO BE AUTHORIZED BY Amphenol LTW.

Package:



One Carton can put in the 5PCS(Max.) Box  
(500 PCS/Carton)



100 PCS(Connector)/Tape&Reel,  
Put in a Box

UNIT:mm TOLERANCE

TITLE N SEN, M12 A -SHLD, NONE RECEPTACLE, M, M, PCB S

**Amphenol LTW**  
安費諾亮泰企業股份有限公司

ITEM NO  
DWG NO MSAS-XXPMMP-EE0001  
CUSTOMER ALTW

DRAWN BY Yunchen  
CHECKED BY Neo  
APPROVED BY Fred

DATE 2022-04-11  
DATE 2022-04-11  
DATE 2022-04-11

SCALE 1:1 SIZE A4 SHEET 5 OF 5  
REV. B WC-REV. 1 :Inspection item