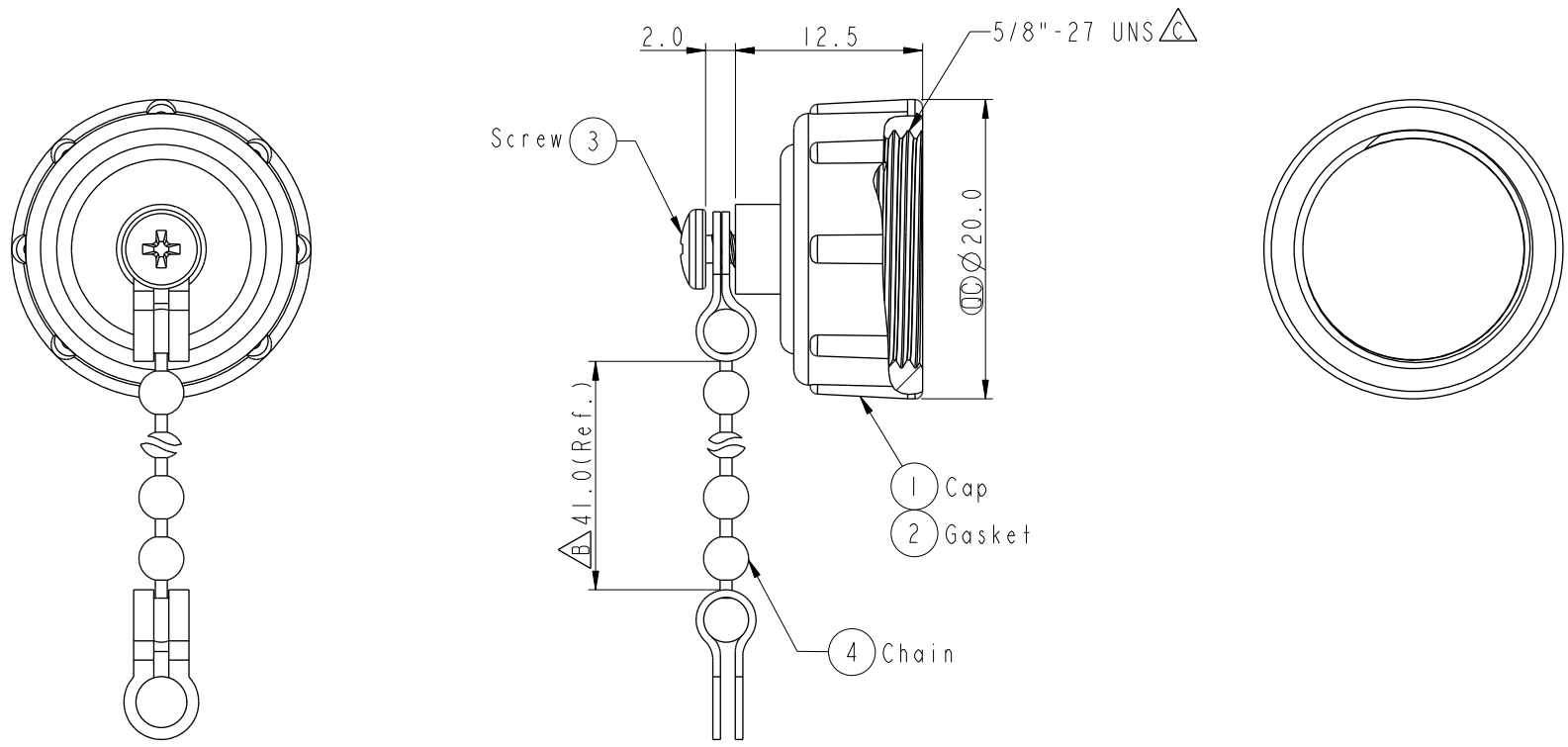


THIS DOCUMENT IS SUBJECT TO CHANGE WITHOUT NOTICE. IT IS CONFIDENTIAL AND A PROPERTY OF Amphenol LTW. DISCLOSURE TO THIRD PARTY HAS TO BE AUTHORIZED BY Amphenol LTW.

REV.	ECN NO.	DATE	SIGN	DESCRIPTION
A	Initial Release	2013/09/11	Vicky	Old Item No. CAP-WABPMSBI
B	C230202	2023/02/16	Vicky	$\triangle B$ X2
C	C240727	2024/06/26	Ruru	$\triangle C$ X1



Note:

- * CC Important Dimension.
- * Waterproof Rate: IP67
- * Cap: Nylon+GF, Black
- * Gasket: EPDM, Black
- * Screw is not allowed to tight (Chain be revolve)
不可將螺絲鎖緊，(鏈條要可旋轉)

UNIT: mm	CC	CC
TOLERANCE		
.X	± 0.25	
.XX	± 0.1	
.XXX	± 0.05	
ANGLES	$\pm 1^\circ$	

TITLE ACC, CERES, WP CAP SCREW, W/ME CHAIN			
SCALE 2:1	SIZE A4	SHEET 1 OF 1	
REV. C	WC-REV. A.1	CC : Inspection item	

Amphenol LTW
安費諾亮泰企業股份有限公司

ITEM NO. CAP-WABMSPBI	DRAWN BY Ruru	DATE 2024/06/26
DWG NO. CAP-WABMSPBI	CHECKED BY Rita	DATE 2024/06/26
CUSTOMER ALTW	APPROVED BY Fred	DATE 2024/06/26