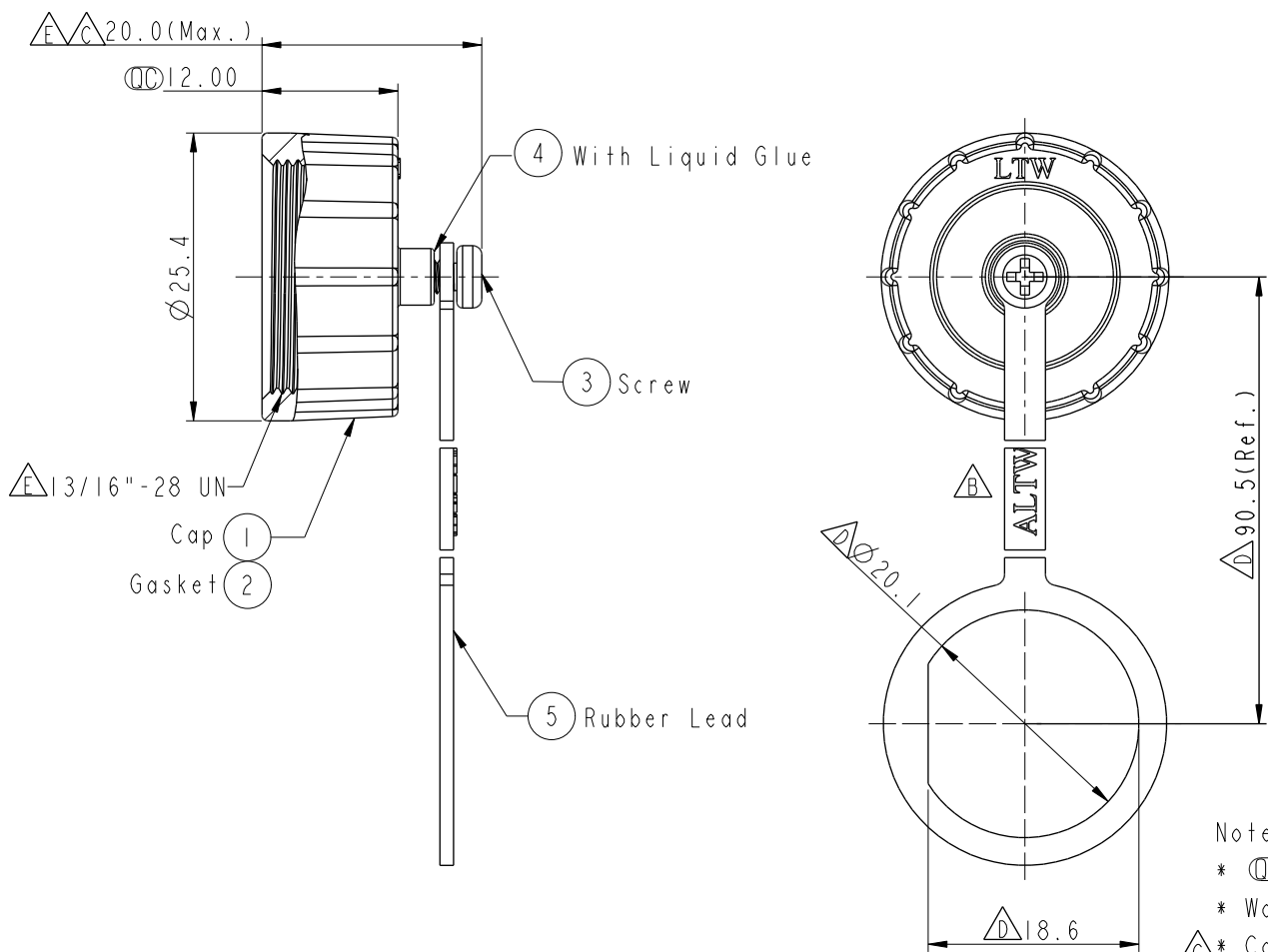


THIS DOCUMENT IS SUBJECT TO CHANGE WITHOUT NOTICE. IT IS CONFIDENTIAL AND A PROPERTY OF Amphenol LTW. DISCLOSURE TO THIRD PARTY HAS TO BE AUTHORIZED BY Amphenol LTW.

REV.	ECN NO.	DATE	SIGN	DESCRIPTION
C	C202032	2020/12/24	Ruru	C X4
D	C230202	2023/02/16	Vicky	D X3
E	C240727	2024/07/01	Ruru	E X2



- Note:
- * 12.00 Important Dimension.
 - * Waterproof Rate: IP67
 - * C Cap: Metal
 - * C Gasket: Rubber, Black
 - * Rubber Lead: Hytrel, Black
 - * Screw is not allowed to tight (Chain be revolve)
不可將螺絲鎖緊, (鏈條要可旋轉)

UNIT: mm		
TOLERANCE	.X ±0.25	
	.XX ±0.1	
	.XXX ±0.05	
ANGLES	±1°	

TITLE ACC, CERES, WP CAP SCREW, W/RB LEAD C			
SCALE 3:2	SIZE A4	SHEET 1 OF 1	
REV. E	WC-REV. A.1	12.00 : Inspection item	

Amphenol LTW
安費諾亮泰企業股份有限公司

ITEM NO. CAP-WACMSPC2	DRAWN BY Ruru	DATE 2024-07-01
DWG NO. CAP-WACMSPC2	CHECKED BY Rita	DATE 2024-07-01
CUSTOMER ALTW	APPROVED BY Fred	DATE 2024-07-01