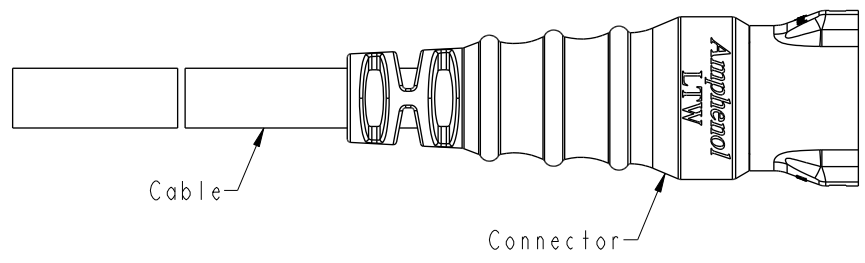
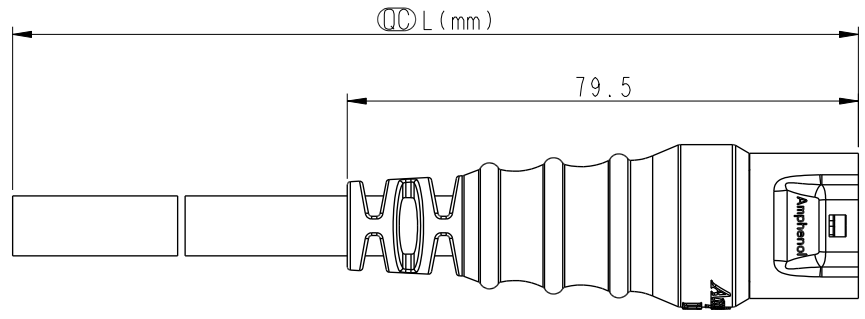


THIS DOCUMENT IS SUBJECT TO CHANGE WITHOUT NOTICE. IT IS CONFIDENTIAL AND A PROPERTY OF Amphenol LTW. DISCLOSURE TO THIRD PARTY HAS TO BE AUTHORIZED BY Amphenol LTW.

REV.	ECN NO.	DATE	SIGN	DESCRIPTION
B	C230419	2023/03/29	Vicky	△B X5



- △B Note:
- * RoHS Compliant
 - * Ⓞ Important dimension
 - * Waterproof rate: IP68, mated 1m/24h
 - * Connector
 - Housing: Thermoplastic, Black
 - Pin: Copper alloy, Gold plated
 - O-Ring: Rubber, Gray
 - Outer mold: Thermoplastic, Black
 - * Cable: SJTW, PVC Jacket, Black
 - * Cable length tolerance:
 - 1M < L ≤ 3M: +100/-0 mm
 - 3M < L ≤ 5M: +150/-0 mm
 - 5M < L ≤ 10M: ±100 mm
 - 10M < L ≤ 20M: ±200 mm
 - 20M < L ≤ 30M: ±300 mm
 - 30M < L ≤ 99M: ±500 mm

UNIT: mm			TITLE RBL, C-10A, CABLE W/SR F, F, MOLDING, RBL	△B
TOLERANCE ±0.5mm	SCALE 1:1	SIZE A4	SHEET 1	OF 2
REV. B	WC-REV. A.5	Ⓞ: Inspection item		

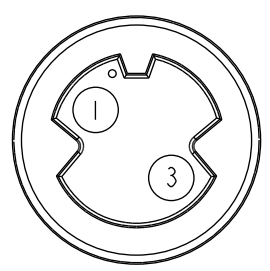
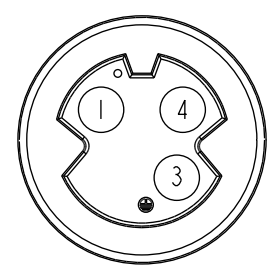
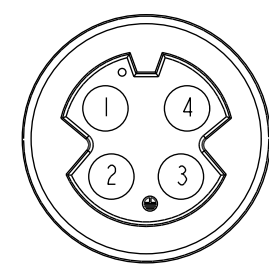
Amphenol LTW
安費諾亮泰企業股份有限公司

ITEM NO	DRAWN BY Peng	DATE 2019-03-22
DWG NO CB-XXAFFM-RL8EXX	CHECKED BY Mafei	DATE 2019-03-22
CUSTOMER ALTW	APPROVED BY Jerry	DATE 2019-03-22


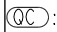
THIS DOCUMENT IS SUBJECT TO CHANGE WITHOUT NOTICE. IT IS CONFIDENTIAL AND A PROPERTY OF Amphenol LTW. DISCLOSURE TO THIRD PARTY HAS TO BE AUTHORIZED BY Amphenol LTW.

4P	9.3	16	CB-04AFFM-RL8EXX
3P	8.6		CB-03AFFM-RL8EXX
2P	8.2		CB-02AFFM-RL8EXX
Contacts	Cable OD	AWG	Item No.

\triangle B CB-XXAFFM-RL8EXX
 XX: No. Of Pin
 XX: 01~99Meters
 01: 01Meter
 02: 02Meters
 :
 99: 99Meters

Pin Out	4	--	4	Green	綠	4	Green	綠
	3	White	3	White	白	3	White	白
	2	--	2	--		2	Red	紅
	1	Black	1	Black	黑	1	Black	黑
Conn.								
	2P		3P		4P			

Pin Assignments Front View

UNIT: mm TOLERANCE $\pm 0.5\text{mm}$			TITLE RBL, C-10A, CABLE W/SR F, F, MOLDING, RBL	\triangle B Amphenol LTW 安費諾亮泰企業股份有限公司	ITEM NO	DRAWN BY Peng	DATE 2019-03-22
	SCALE 1:1	SIZE A4	SHEET 2 OF 2		DWG NO CB-XXAFFM-RL8EXX	CHECKED BY Mafei	DATE 2019-03-22
	REV. B	WC-REV. A.5	 Inspection item		CUSTOMER ALTW	APPROVED BY Jerry	DATE 2019-03-22