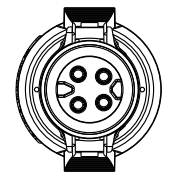
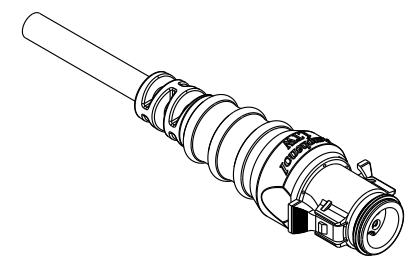
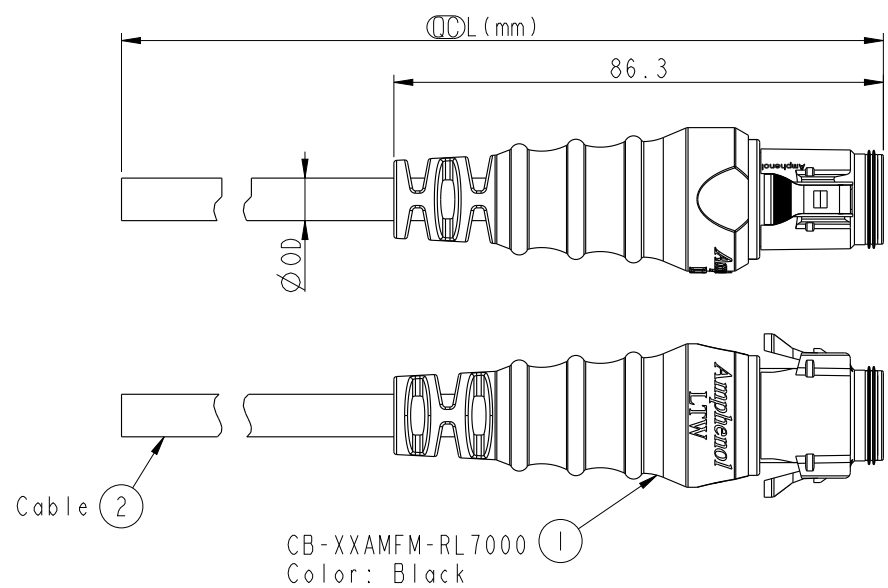


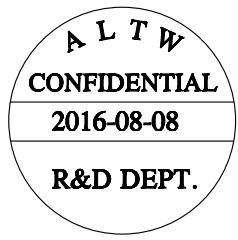
REV.	ECN NO.	DATE	SIGN	DESCRIPTION
B	LEN1580284~86	2015/08/12	Lu Di	Change To Common Drawing
C	LEN1680345 LEN1680352-53	2016/08/08	Mafei	Updated The Pin Out Color.



Conn

Cable ②

①
CB-XXAMFM-RL7000
Color: Black



- Note:
- * Ⓞ Important Dimension To Check.
 - * Waterproof Rate: IP67
 - * Housing: M-PPE , Black.
 - * Female Pin: Copper Alloy, Gold Plated.
 - * Cable: UL2464 16#,PVC Jacket ,UV Resistant,Black.
 - * Cable Length Tolerance: 01M:±40mm
02M~05M:±60mm
06M~10M:±100mm
11M~30M:±200mm
31M~99M:±500mm
 - * Prohibiting the use of place in oils

CB-02AMFM-RL7AXX	Ø7.8
CB-03AMFM-RL7AXX	Ø7.5
CB-04AMFM-RL7AXX	Ø7.5
Part No.	Cable OD

UNIT:mm		
TOLERANCE	±0.5	

TITLE MIDDLE CABLE RBL M CONN F PIN			
SCALE 3:4	SIZE A4	SHEET 1 OF 2	
REV. C	WC-REV. A.3	Ⓞ: Inspection item	

Amphenol LTW
安費諾亮泰企業股份有限公司

ITEM NO	DRAWN BY Mafei	DATE 2016/08/08
DWG NO CB-XXAMFM-RL7AXX	CHECKED BY Joyy	DATE 2016/08/08
CUSTOMER ALTW	APPROVED BY Jerry	DATE 2016/08/08

THIS DOCUMENT IS SUBJECT TO CHANGE WITHOUT NOTICE. IT IS CONFIDENTIAL AND A PROPERTY OF Amphenol LTW. DISCLOSURE TO THIRD PARTY HAS TO BE AUTHORIZED BY Amphenol LTW.

THIS DOCUMENT IS SUBJECT TO CHANGE WITHOUT NOTICE. IT IS CONFIDENTIAL AND A PROPERTY OF Amphenol LTW. DISCLOSURE TO THIRD PARTY HAS TO BE AUTHORIZED BY Amphenol LTW.



CB-XXAMFM-RL7A XX

Middle Size Current Rating 10A

XX: No. Of Pin (Pin 數)

A: Cable With S/R (線端帶網尾)

M: Male Connector (公座)

F: Female Pin (母Pin)

M: Molding Type (射出成型)

XX: 01~99 Meter

01: 01 Meter

02: 02 Meter

...

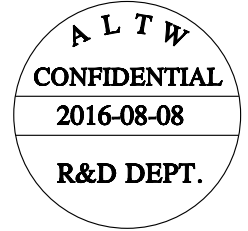
99: 99 Meter

A: UL 2464 Cable

7: IP67 (防水等級 67)

L: Straight (180°)

R: Snap In With Latch (彈臂卡合式)



Pin Out	4	--	4	Green 綠	4	Orange 橙
	3	Red 紅	3	White 白	3	Red 紅
	2	--	2	--	2	Brown 棕
	1	Black 黑	1	Black 黑	1	Black 黑
Pin Assignments Front View						
	2Pin		3Pin		4Pin	

UNIT:mm TOLERANCE ±0.5	TITLE MIDDLE CABLE RBL M CONN F PIN			Amphenol LTW 安費諾亮泰企業股份有限公司	ITEM NO	DRAWN BY Mafei	DATE 2016/08/08
	SCALE 3:4	SIZE A4	SHEET 2 OF 2		DWG NO CB-XXAMFM-RL7AXX	CHECKED BY Joyy	DATE 2016/08/08
	REV. C	WC-REV. A.3	QC: Inspection item		CUSTOMER ALTW	APPROVED BY Jerry	DATE 2016/08/08