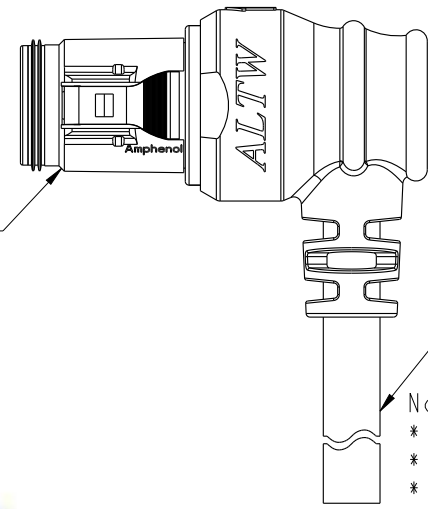
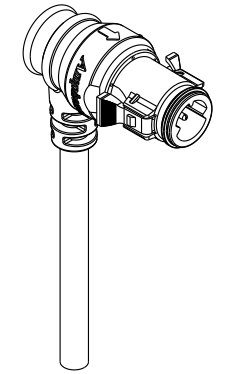
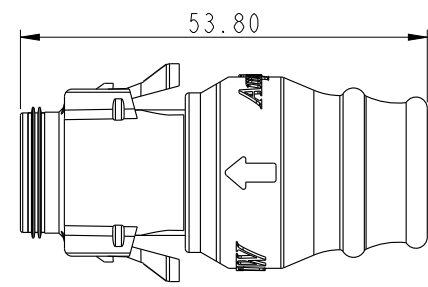
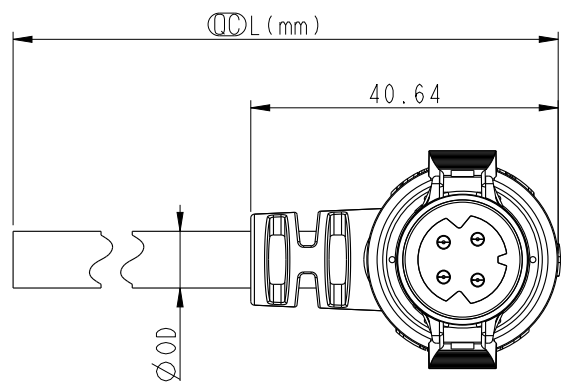
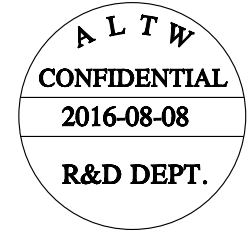


THIS DOCUMENT IS SUBJECT TO CHANGE WITHOUT NOTICE. IT IS CONFIDENTIAL AND A PROPERTY OF Amphenol LTW. DISCLOSURE TO THIRD PARTY HAS TO BE AUTHORIZED BY Amphenol LTW.

REV.	ECN NO.	DATE	SIGN	DESCRIPTION
B	LEN1580182~84	2015/08/10	Lu Di	Change To Comon Drawing
C	LEN1680347 LEN1680358-59	2016/08/08	Mafei	Updated The Pin Out Color.



CB-XXAMMM-RR7000  
Color: Black



- Note:
- \*  $\varnothing$  Important Dimension To Check.
  - \* Waterproof Rate: IP67
  - \* Housing: M-PPE, Black.
  - \* Male Pin: Copper Alloy, Gold Plated.
  - \* Gasket: Silicone, Gray.
  - \* Cable: UL2464 16#, PVC Jacket, UV Resistant, Black
  - \* Cable Length Tolerance: 01M:±40mm  
02M~05M:±60mm  
06M~10M:±100mm  
11M~30M:±200mm  
31M~99M:±500mm
- \* Prohibiting the use of place in oils



CB-02AMMM-RR7AXX	Ø 7.8
CB-03AMMM-RR7AXX	Ø 7.5
CB-04AMMM-RR7AXX	Ø 7.5
Part No.	Cable OD

<b>UNIT:mm</b>	
<b>TOLERANCE</b>	±0.5

TITLE MIDDLE CABLE RBL M CONN M PIN			
SCALE 1:1	SIZE A4	SHEET 1 OF 2	
REV. C	WC-REV. A.2	$\varnothing$ : Inspection item	

**Amphenol LTW**  
安費諾亮泰企業股份有限公司

ITEM NO.	DRAWN BY Mafei	DATE 2016/08/08
DWG NO. CB-XXAMMM-RR7AXX	CHECKED BY Joyy	DATE 2016/08/08
CUSTOMER ALTW	APPROVED BY Jerry	DATE 2016/08/08

THIS DOCUMENT IS SUBJECT TO CHANGE WITHOUT NOTICE. IT IS CONFIDENTIAL AND A PROPERTY OF Amphenol LTW. DISCLOSURE TO THIRD PARTY HAS TO BE AUTHORIZED BY Amphenol LTW.



CB-XXAMMM-RR7A XX

Middle Size Current Rating 10A

XX:No. Of Pin(Pin 數)

A:Cable With S/R(線端帶網尾)

M:Male Connector(公座)

M:Male Pin(公Pin)

M:Molding Type(射出成型)

XX:01-99Meter

01:01Meter

02:02Meter

...

99:99Meter

A:UL 2464 Cable

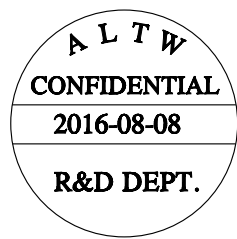
7:IP67(防水等級 67)

R:Right Angle(90°)

R:Snap In With Latch(彈臂卡合式)



Pin Out	4	--	4	Green 綠	4	Orange 橙
	3	Red 紅	3	White 白	3	Red 紅
	2	--	2	--	2	Brown 棕
	1	Black 黑	1	Black 黑	1	Black 黑
Pin Assignments Front View						
	2Pin		3Pin		4Pin	



UNIT:mm		TITLE		ITEM NO	DRAWN BY	DATE
		MIDDLE CABLE RBL M CONN M PIN				
TOLERANCE ±0.5		SCALE	SIZE	DWG NO	CHECKED BY	DATE
		1:1	A4	CB-XXAMMM-RR7AXX	Joyy	2016/08/08
		REV.	WC-REV.	CUSTOMER	APPROVED BY	DATE
		C	A.2	ALTW	Jerry	2016/08/08
		①: Inspection item		Amphenol LTW 安費諾亮泰企業股份有限公司		
				8 FMW10702-01-02A1		