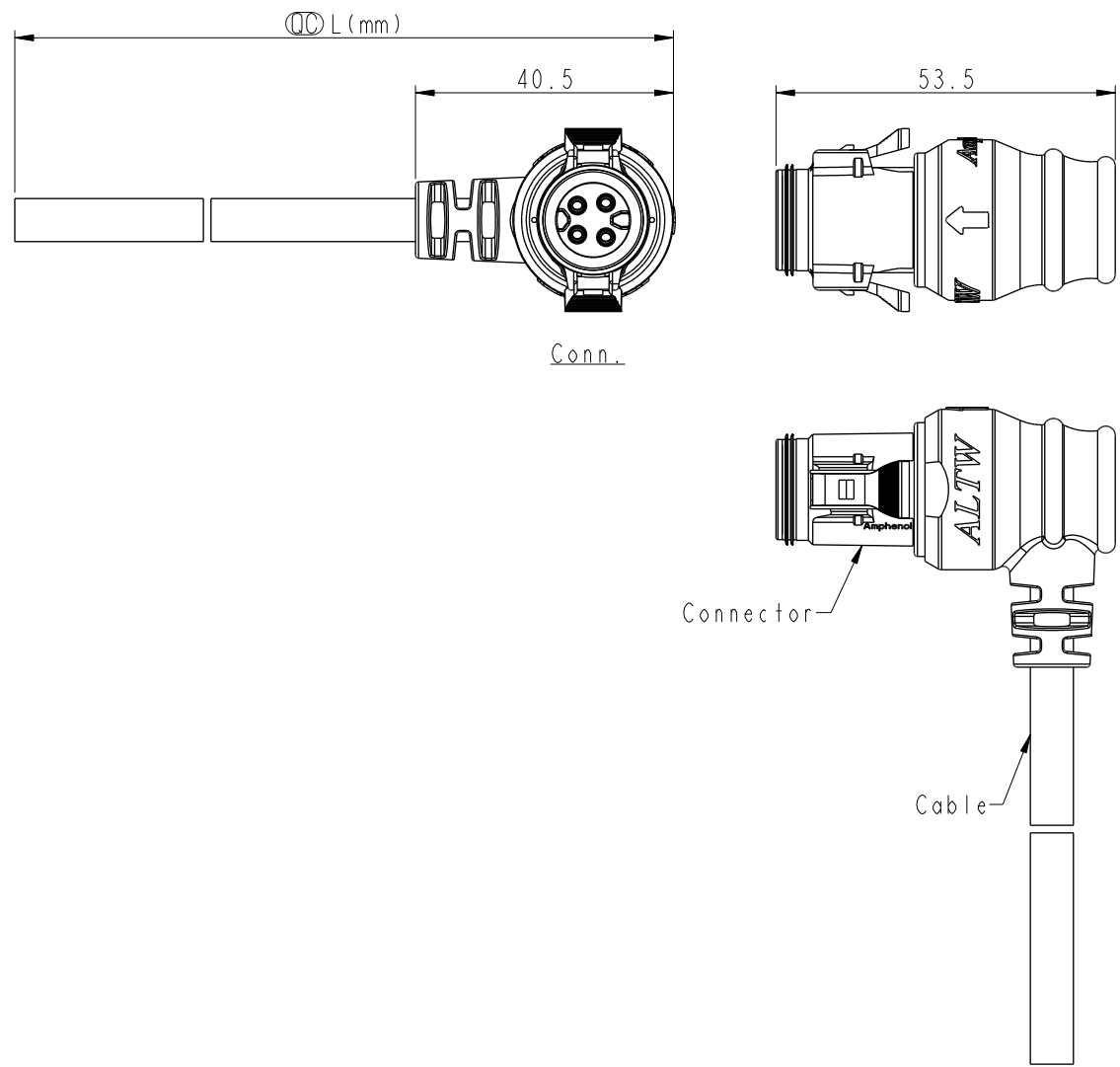


THIS DOCUMENT IS SUBJECT TO CHANGE WITHOUT NOTICE. IT IS CONFIDENTIAL AND A PROPERTY OF Amphenol LTW. DISCLOSURE TO THIRD PARTY HAS TO BE AUTHORIZED BY Amphenol LTW.

REV.	ECN NO.	DATE	SIGN	DESCRIPTION
B	C230419	2023/03/29	Vicky	$\triangle B$ X5



- $\triangle B$  Note:
- \* RoHS Compliant
  - \*  $\text{\textcircled{C}}$  Important dimension
  - \* Waterproof rate: IP68, mated 1m/24h
  - \* Connector
    - Housing: Thermoplastic, Black
    - Pin: Copper alloy, Gold plated
    - O-Ring: Rubber, Gray
    - Gasket: Rubber, Gray
    - Outer mold: Thermoplastic, Black
  - \* Cable: UL21388, PVC Jacket, Black
  - \* Cable length tolerance:
    - 1M < L  $\leq$  3M: +100/-0 mm
    - 3M < L  $\leq$  5M: +150/-0 mm
    - 5M < L  $\leq$  10M:  $\pm$ 100 mm
    - 10M < L  $\leq$  20M:  $\pm$ 200 mm
    - 20M < L  $\leq$  30M:  $\pm$ 300 mm
    - 30M < L  $\leq$  99M:  $\pm$ 500 mm

UNIT: mm		
TOLERANCE		
$\pm 0.5\text{mm}$		

TITLE RBL, C-10A, CABLE W/SR M, F, MOLDING, RBL			$\triangle B$
SCALE 1:1	SIZE A4	SHEET 1 OF 2	
REV. B	WC-REV. A.5	$\text{\textcircled{C}}$ : Inspection item	

**Amphenol LTW**  
安費諾亮泰企業股份有限公司

ITEM NO.	DRAWN BY Peng	DATE 2019-03-30
DWG NO. CB-XXAMFM-RR8DXX	CHECKED BY Mafei	DATE 2019-03-30
CUSTOMER ALTW	APPROVED BY Jerry	DATE 2019-03-30

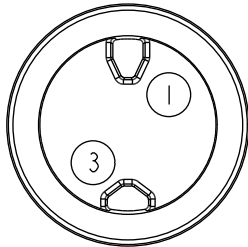
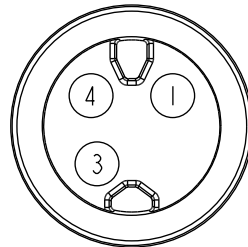
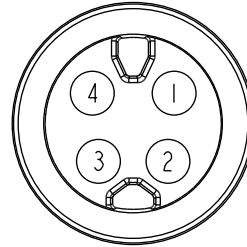
THIS DOCUMENT IS SUBJECT TO CHANGE WITHOUT NOTICE. IT IS CONFIDENTIAL AND A PROPERTY OF Amphenol LTW. DISCLOSURE TO THIRD PARTY HAS TO BE AUTHORIZED BY Amphenol LTW.

	4P	6.8	16	CB-04AMFM-RR8DXX
	3P	6.5		CB-03AMFM-RR8DXX
	2P	6.0		CB-02AMFM-RR8DXX
△B	Contacts	Cable OD	AWG	Item No.


△B CB-XXAMFM-RR8DXX

XX: No. Of Pin

XX: 01~99Meters  
 01: 01Meter  
 02: 02Meters  
 :  
 99: 99Meters

C	Pin Out	4 -- 3 Red 紅 2 -- 1 Black 黑	4 Brown 棕 3 Red 紅 2 -- 1 Black 黑	4 Brown 棕 3 Red 紅 2 Orange 橘 1 Black 黑
	Conn.			
		2P	3P	4P

Pin Assignments Front View

A	UNIT: mm		TITLE	△B	
	TOLERANCE	±0.5mm	RBL, C-10A, CABLE W/SR M, F, MOLDING, RBL		
	SCALE	1:1	SIZE A4		SHEET 2 OF 2
	REV.	B	WC-REV. A.5		QC: Inspection item

**Amphenol LTW**  
 安費諾亮泰企業股份有限公司

ITEM NO	DRAWN BY	DATE
DWG NO	CHECKED BY	DATE
CUSTOMER	APPROVED BY	DATE
	Peng	2019-03-30
CB-XXAMFM-RR8DXX	Mafei	2019-03-30
ALTW	Jerry	2019-03-30