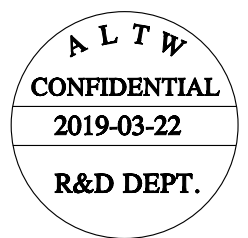
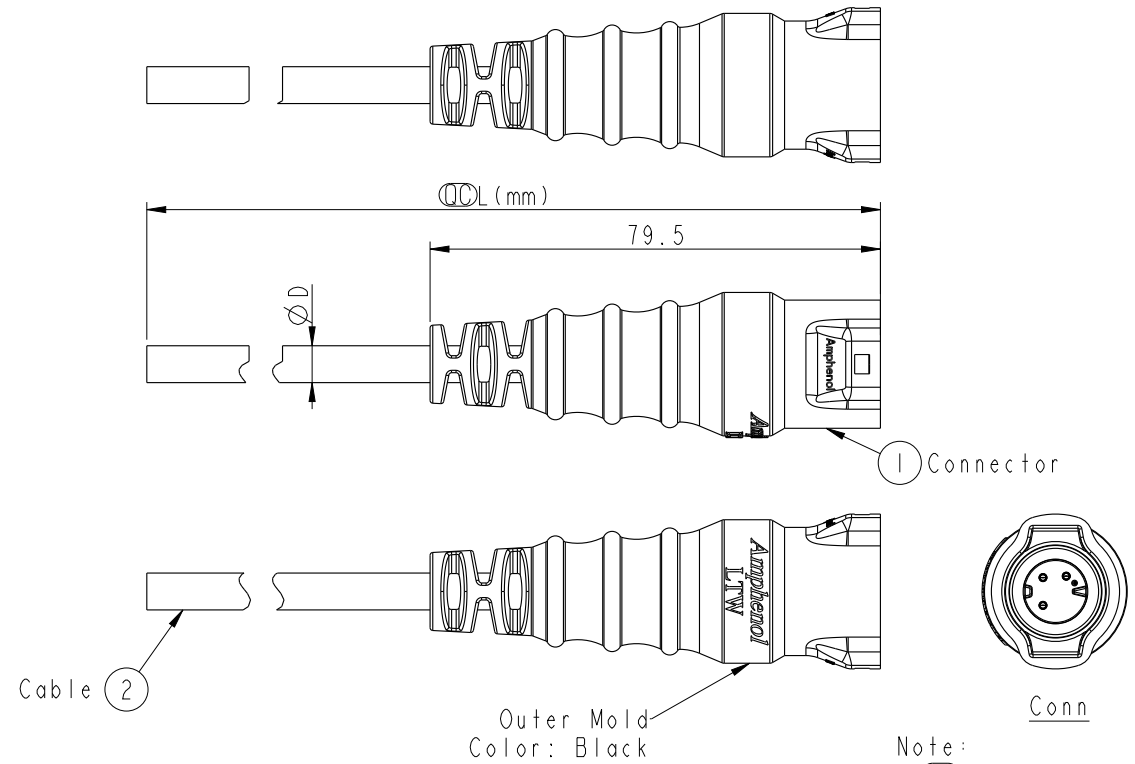


THIS DOCUMENT IS SUBJECT TO CHANGE WITHOUT NOTICE. IT IS CONFIDENTIAL AND A PROPERTY OF Amphenol LTW. DISCLOSURE TO THIRD PARTY HAS TO BE AUTHORIZED BY Amphenol LTW.

REV.	ECN NO.	DATE	SIGN	DESCRIPTION



- Note:
- \*  $\varnothing$  Important Dimension To Check.
  - \* Waterproof Rate: IP68
  - \* Housing: M-PPE, Black.
  - \* Male Pin: Copper Alloy, Gold Plated.
  - \* Cable: SJTW, 18#\*3C, PVC Jacket  
UV Resistant, OD=8.0mm, Black
  - \* Cable Length Tolerance: 01M:±40mm  
02M~05M:±60mm  
06M~10M:±100mm  
11M~30M:±200mm  
31M~99M:±500mm
  - \* Prohibiting the use of place in oils

CD-03AFMM-RL8EXX  
 XX: 01~99Meter  
 01: 01Meter  
 02: 02Meter  
 :  
 :  
 99: 99Meter

Pin Out	4 Green 綠 3 White 白 1 Black 黑
Pin Assignments Front View	

UNIT:mm	
TOLERANCE	±0.5

TITLE MIDDLE CABLE RBL F CONN M PIN			
SCALE 3:4	SIZE A4	SHEET 1 OF 1	
REV. A	WC-REV. A.1	$\varnothing$ : Inspection item	

**Amphenol LTW**  
 安費諾亮泰企業股份有限公司

ITEM NO	DRAWN BY Peng	DATE 2019-03-22
DWG NO CD-03AFMM-RL8EXX	CHECKED BY Mafei	DATE 2019-03-22
CUSTOMER ALTW	APPROVED BY Jerry	DATE 2019-03-22