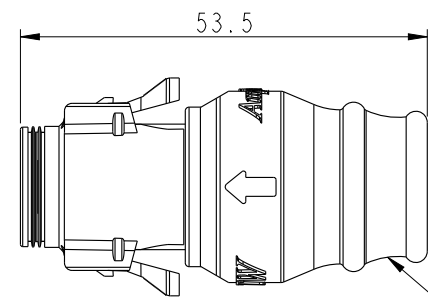
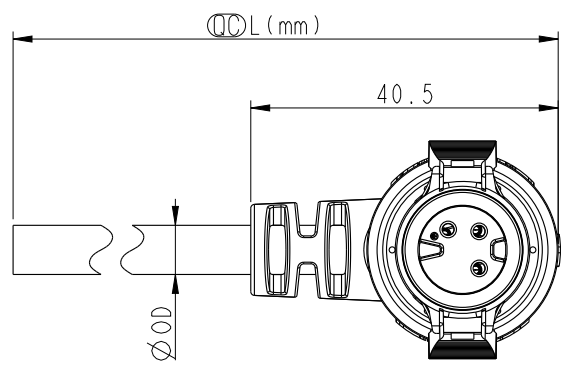
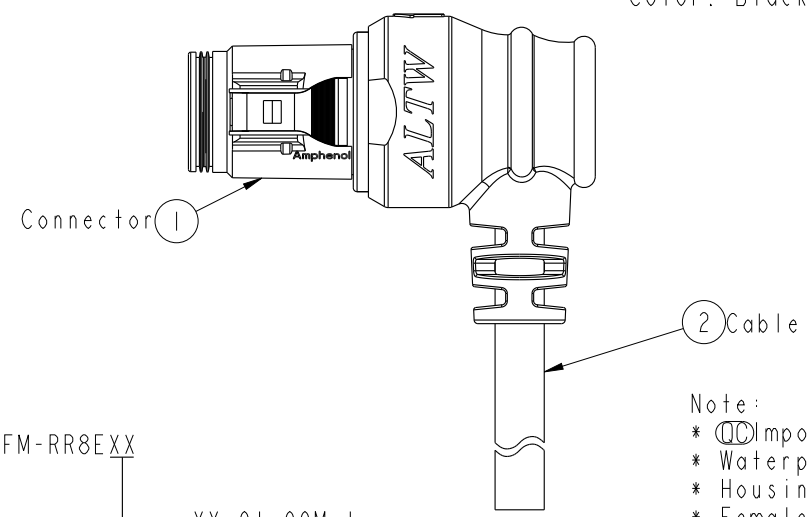
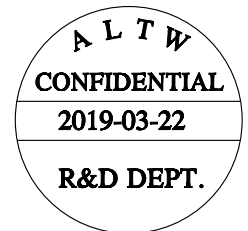
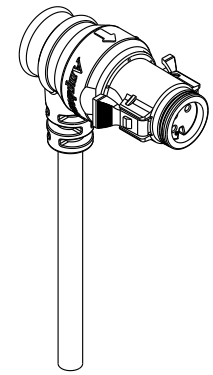


THIS DOCUMENT IS SUBJECT TO CHANGE WITHOUT NOTICE. IT IS CONFIDENTIAL AND A PROPERTY OF Amphenol LTW. DISCLOSURE TO THIRD PARTY HAS TO BE AUTHORIZED BY Amphenol LTW.

REV.	ECN NO.	DATE	SIGN	DESCRIPTION



Outer Mold
Color: Black



CD-03AMFM-RR8EXX

XX: 01~99Meter
 0T: 01Meter
 02: 02Meter
 ...
 99: 99Meter

- Note:
- * \varnothing Important Dimension To Check.
 - * Waterproof Rate: IP68
 - * Housing: M-PPE, Black.
 - * Female Pin: Copper Alloy, Gold Plated.
 - * Gasket: Silicone, Gray.
 - * Cable: SJTW 18#*3C, PVC Jacket, UV Resistant, OD=8.0mm, Black.
 - * Cable Length Tolerance:
 - 01M: ±40mm
 - 02M~05M: ±60mm
 - 06M~10M: ±100mm
 - 11M~30M: ±200mm
 - 31M~99M: ±500mm
 - * Prohibiting the use of place in oils

Pin Out	4 Green 綠 3 White 白 1 Black 黑
Pin Assignments Front View	

UNIT:mm	
TOLERANCE	±0.5

TITLE MIDDLE CABLE RBL M CONN F PIN			
SCALE 1:1	SIZE A4	SHEET 1 OF 1	
REV. A	WC-REV. .0	\varnothing : Inspection item	

Amphenol LTW
 安費諾亮泰企業股份有限公司

ITEM NO	DRAWN BY Peng	DATE 2019-03-22
DWG NO CD-03AMFM-RR8EXX	CHECKED BY Mafei	DATE 2019-03-22
CUSTOMER ALTW	APPROVED BY Jerry	DATE 2019-03-22